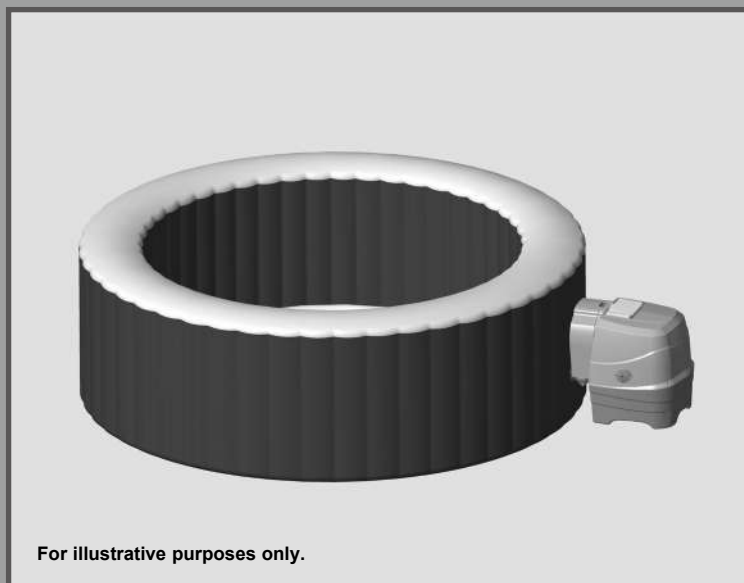


IMPORTANT SAFETY RULES

Please read, understand, and follow all instructions carefully before installing and using this product. Keep for future reference.

PureSpa™ SB-H20



For illustrative purposes only.

Do not forget to try these other fine Intex products: pools, pool accessories, in-home toys, airbeds and boats available at fine retailers or visit our website.

Due to a policy of continuous product improvement, Intex reserves the right to change specifications and appearance, which may result in updates to the instruction manual without notice.

INTEX®

©2020 Intex Marketing Ltd. - Intex Development Co. Ltd. - Intex Recreation Corp. All rights reserved/Tous droits réservés/Todos los derechos reservados/Alle Rechte vorbehalten. Printed in China/Imprimé en Chine/Impreso en China/ Gedruckt in China.

®™ Trademarks used in some countries of the world under license from/®™ Marques utilisées dans certains pays sous licence de/Marcas registradas utilizadas en algunos países del mundo bajo licencia de/Warenzeichen verwendet in einigen Ländern der Welt in Lizenz von/Intex Marketing Ltd. to/à/a/an Intex Development Co. Ltd., G.P.O Box 28829, Hong Kong & Intex Recreation Corp., P.O. Box 1440, Long Beach, CA 90801 • Distributed in the European Union by/Distribué dans l'Union Européenne par/Distribuido en la unión Europea por/Vertrieb in der Europäischen Union durch/Intex Trading B.V., Venneveld 9, 4705 RR Roosendaal – The Netherlands
www.intexcorp.com

TABLE OF CONTENTS

Warning.....	3-6
Parts.....	7-8
Set-up.....	9-14
Operation.....	15
LED Code Chart.....	16
Minimize Heat Loss and Energy Consumption Advice.....	17
Maintenance and Chemicals.....	18-22
Storage.....	22
Troubleshooting.....	23-24
Filter pump motor disassembly.....	25
Warranty.....	26

IMPORTANT SAFETY RULES

When installing and using this electrical equipment, basic safety precautions should always be followed, including the following.

READ AND FOLLOW ALL INSTRUCTIONS

⚠ DANGER

- Risk of Accidental Drowning (especially children under 5 years). Caution shall be exercised to prevent unauthorized access to spa by children. This can be reached by adult supervisor securing the means of access or installing a safety protection device to the spa. To avoid accidents during spa use, ensure that children are kept under constant supervision.
- Risk of drowning. Inspect the spa cover regularly for leaks, premature wear and tear, damage, or signs of deterioration. Never use a worn or damaged cover: it will not provide the level of protection required to prevent unsupervised access to the spa by a child.
- Risk of injury. The suction fittings in this spa are sized to match the specific water flow created by the pump. Should the need arise to replace the suction fittings or the pump, be sure that the flow rates are compatible. Never operate spa if the suction fittings are broken or missing. Never replace a suction fitting with one rated less than the flow rate marked on the original suction fitting.
- Risk of injury. Replace damaged cord immediately. Do not bury cord. Never use an extension cord.
- Risk of Electric Shock. Do not permit any electric appliance, such as a light, telephone, radio, or television, within 3.5 m (11.5 feet) of a spa or hot tub.
- Risk of Electric Shock. Do not use and unplug the spa when it is raining, thundering or lightning.

⚠ WARNING

- The spa electrical appliance should be supplied through a residual current device (RCD) having a rated residual operating current not exceeding 30 mA.
- The spa electrical appliance comprises a portable residual current device (PRCD) having a rated residual operating current not exceeding 10 mA. If a leakage current of more than 10 mA is detected, the PRCD will operate and cut-off the power supply, in such case, unplug and stop using the spa at once. You must contact the local service center for assistance and/or repair of the product.
- Parts containing live parts, except parts supplied with safety extra-low voltage not exceeding 12V, must be inaccessible to a person in the spa.
- Electrical installation shall fulfill the requirements of local national standards.
- Parts incorporating electrical components, except remote control devices, must be located or fixed so that they cannot fall into the spa.
- To reduce the risk of injury, do not permit children to use this product unless they are closely supervised at all times.
- Children should not use spas or hot tubs without adult supervision.
- To reduce the risk of child drowning, supervise children at all times. Attach and lock spa cover after each use.
- To reduce the risk of injury/illness:
 - a) The water in a spa should never exceed 40°C (104°F). Water temperatures between 38°C (100°F) and 40°C (104°F) are considered safe for a healthy adult. Lower water temperatures are recommended for young children and when spa use exceeds 10 minutes. It is recommended to seek medical advice before use.
 - b) Since excessive water temperatures have a high potential for causing fetal damage during the early months of pregnancy, pregnant or possibly pregnant women should limit spa water temperature and duration of use and should also seek medical advice.

⚠ WARNING

- c) The user should check the water temperature before entering the spa.
- d) The use of alcohol, drugs, or medication before or during spa use may lead to unconsciousness with the possibility of drowning.
- e) Persons with any medical condition should seek medical advice before using a spa.
- f) Persons using medication and/or having an adverse medical history should seek medical advice before using a spa since some medication may induce drowsiness while other medication may affect heart rate, blood pressure, and circulation.
- g) Avoid putting the head underwater and swallowing spa water.
 - People with infectious diseases should not use a spa or hot tub.
 - To avoid injury exercise care when entering or existing the spa or hot tub.
 - Pregnant and possible pregnant women should consult a physician before using a spa or hot tub.
 - Water temperature in excess of 38°C degree may be injurious to your health.
 - Do not use a spa or hot tub immediately following strenuous exercise.
 - Prolonged immersion in a spa or hot tub may be injurious to your health.
 - When pregnant, soaking in hot water for long periods can harm your fetus. Measure the water temperature before entering. Do not enter spa if water is hotter than 38°C (100°F). Do not stay in spa for longer than 10 minutes.
 - Spa heat in conjunction with alcohol, drugs, or medication can cause unconsciousness.
 - Exit immediately if uncomfortable, dizzy, or sleepy. Spa heat can cause hyperthermia and unconsciousness.
 - The causes, symptoms, and effects of hyperthermia may be described as follows: Hyperthermia occurs when the internal temperature of the body reaches a level several degrees above the normal body temperature of 37°C (98.6°F). The symptoms of hyperthermia include an increase in the internal temperature of the body, dizziness, lethargy, drowsiness, and fainting. The effects of hyperthermia include failure to perceive heat; failure to recognize the need to exit spa or hot tub; unawareness of impending hazard; fetal damage in pregnant women; physical inability to exit the spa or hot tub; and unconsciousness resulting in the danger of drowning.
 - The use of alcohol, drugs, or medication can greatly increase the risk of fatal hyperthermia in hot tubs and spas.
 - Always add chemicals to water, never add water to chemicals. Adding water to chemicals may cause strong fumes or violent reactions and hazardous chemical spray.
 - Never jump or dive into a spa or any shallow body of water.
 - Assembly and disassembly by adults only.
 - This appliance can be used by children aged from 8 years and above and persons with reduced physical, sensory or mental capabilities or lack of experience and knowledge if they have been given supervision or instruction concerning use of the appliance in a safe way and understand the hazards involved. Children shall not play with the appliance. Cleaning and user maintenance shall not be made by children without supervision.
 - No part of the electrical appliance is to be located above the bath during use.
 - Keep the plug of this product more than 4m away from the spa and at a height of 1.2m at least.
 - Always unplug this product from the electrical outlet before removing, cleaning, servicing or making any adjustment to the product, and on raining days.
 - Do not bury the electrical cord. Locate the cord where it will not be damaged by lawn mowers, hedge trimmers and other equipment.

⚠ WARNING

- If the supply cord is damaged, it must be replaced by the manufacturer, its service agent or similarly qualified persons in order to avoid a hazard. Use only identical replacement parts when servicing.
- **Always keep plug dry, plug in with wet plug is definitely forbidden!**
- The plug of SPA must be directly connected only to a earthed socket-outlet from a fixed electrical installation.
- To reduce the risk of electric shock and fire, do not use extension cords, timers, plug adaptors or converter plugs to connect unit to electrical supply; provide a properly located outlet.
- Do not attempt to plug in or unplug this product while standing in water or when your hands are wet.
- Do not leave the spa empty for extended period of time. Do not expose the spa to direct sunlight for extended period of time.
- When the appliance is not in use for long period of time, such as in the winter, the spa set should be disassembled and stored indoor.
- Do not allow the water in the spa to freeze. Do not turn on the spa when the water is frozen.
- Do not use the spa if damaged in delivery and/or malfunctioning in any fashion. Contact the Intex service center for further direction.
- Never use the spa alone or allow others to use the spa alone.
- Never pour water with a temperature higher than 40°C (104°F) into the spa directly.
- Keep all pets away from spa to avoid any damage.
- Do not add bath oil or bath salt to the spa water.
- The spa must be setup on a level, flat and smooth surface that is capable of supporting the maximum load of the filled spa with four adult occupants: weight 1136 kg (2500 lbs); six adults: 1592 kg (3500 lbs); eight adults: 1999 kg (4400 lbs).
- Provide adequate drainage system around the spa to deal with overflow water and splashes.
- Use accessories exclusively provided by the spa manufacturer for safety reasons.
- Not for public/commercial use and/or domestic renting dwelling settings.
- All the information pertaining to the installation, cleaning and maintenance please refer to below paragraphs of the manual.

Carefully read, understand, and follow all information in this user manual before installing and using the spa. These warnings, instructions, and safety guidelines address some common risks of water recreation, but they cannot cover all risks and dangers in all cases. Always use caution, common sense, and good judgment when enjoying any water activity. Retain this information for future use.

Non swimmers safety

- Continuous, active, and vigilant supervision of weak swimmers and non-swimmers especially in exercise spas, by a competent adult is required at all times (remembering that children under five are at the highest risk of drowning).
- Designate a competent adult to supervise the spa each time it is being used.
- When the spa is not in use, or unsupervised, remove all toys from the spa and its surrounding area to avoid attracting children to the spa.

Safety devices

- A safety cover or other safety protection device shall be used, or all doors and windows (where applicable) shall be secured to prevent unauthorized access to the spa.

⚠ WARNING

- Barriers, covers, alarms, or similar safety devices are helpful aids, but they are not substitutes for continuous and competent adult supervision.

Safety equipment

- Keep a working phone and a list of emergency phone numbers near the spa.

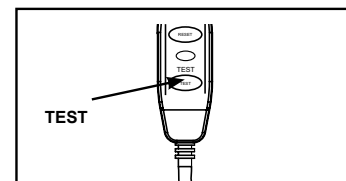
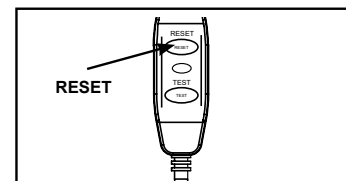
Safe use of the spa

- Encourage all users especially children to learn how to swim.
- Learn Basic Life Support (Cardiopulmonary Resuscitation - CPR) and refresh this knowledge regularly. This can make a life-saving difference in the event of an emergency.
- Instruct all spa users, including children, what to do in case of an emergency.
- Never dive into any shallow body of water. This can lead to serious injury or death.
- Do not use the spa when using alcohol or medication that may impair your ability to safely use the spa.
- When covers are used, remove them completely from the water surface before entering the spa.
- Protect spa occupants from water related illnesses by advising them to keep water treated and practicing good hygiene. Consult the water treatment guidelines in the user's manual.
- Store chemicals out of the reach of children.
- Attached the safety signage provided on the spa or within 2 m of the spa in a prominent visible position.

⚠ WARNING

- This product is provided with a RCD located at the end of the power cord. The RCD must be tested before each use. Do not use the spa if the RCD does not function properly. Disconnect the power cord until the fault has been identified and corrected. Contact a qualified electrician to correct the fault. Do not bypass the RCD. There are no serviceable parts inside the RCD. Opening the RCD will void the warranty.

1. Plug the unit into a grounded electrical outlet.
2. Press the **RESET** button on the RCD.
3. Turn on the spa electrical equipment.
4. Press the **TEST** button on the RCD. The RCD indicator should turn off and the electrical equipment should shut off. If the RCD indicator does not turn off, and the electrical equipment does not shut off, the RCD is faulty. Do not use the spa. Contact a qualified electrician to correct the fault.
5. Press the **RESET** button on the RCD. The indicator on the RCD should turn on. If the RCD indicator does not turn on, the RCD is faulty. Do not use the spa. Contact a qualified electrician immediately to correct the fault.

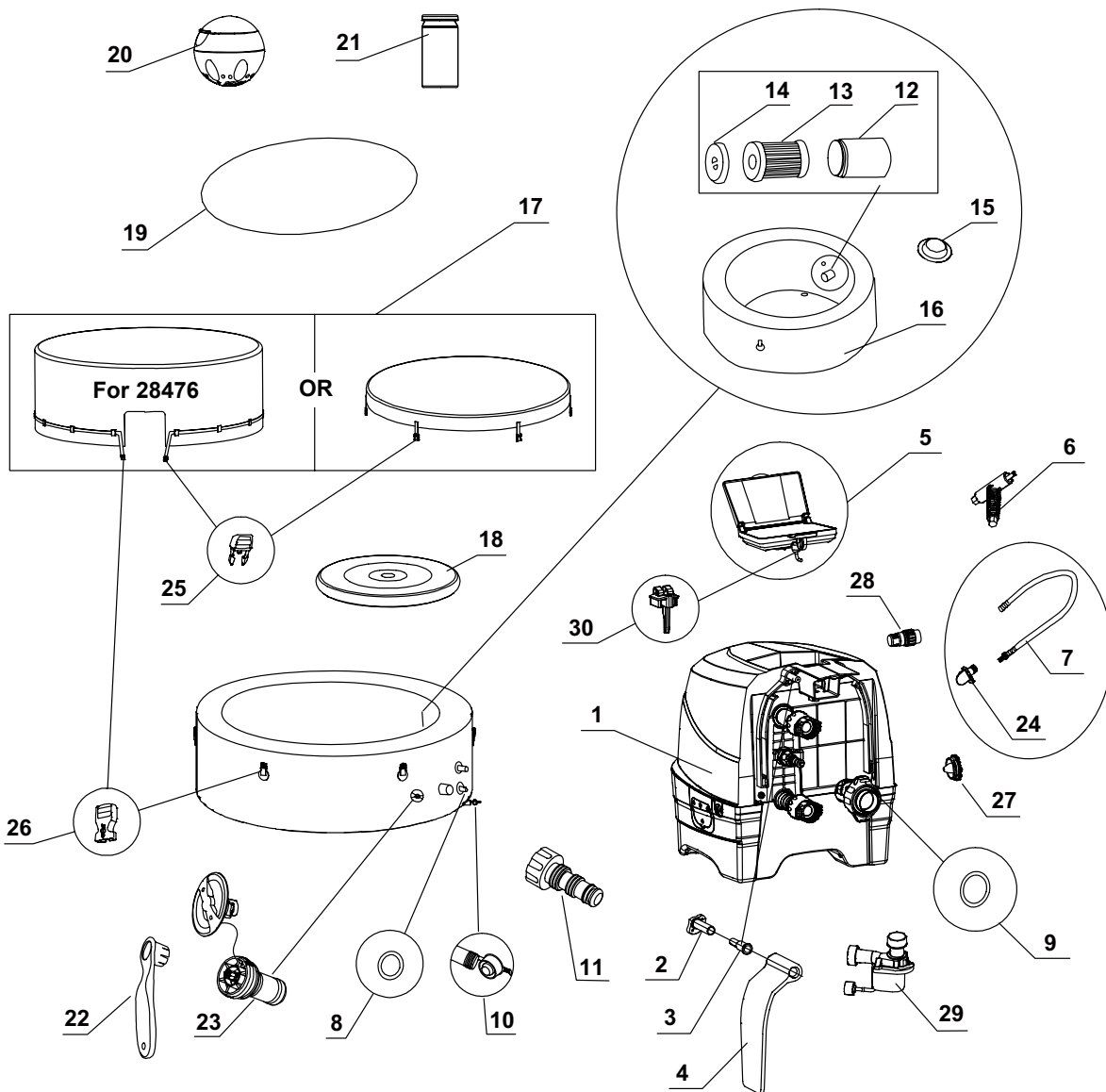


⚠ CAUTION

- In order to avoid a hazard due to inadvertent resetting of the thermal cut-out, this appliance must not be supplied through an external switching device, such as a timer, or connected to a circuit that is regularly switched on and off by the utility.
- Maintain water chemistry in accordance with manufacturer's instructions.

PARTS

Before assembling your product, please take a few minutes to check the contents and become familiar with all the parts.



NOTE: Drawings for illustration purpose only. Actual product may vary. Not to scale.

PARTS (continued)

Before assembling your product, please take a few minutes to check the contents
and become familiar with all the parts.

REF. NO.	DESCRIPTION	QTY.	PART NO.					
			4 ADULTS			6 ADULTS		8 ADULTS
			28426	28430	28476	28428	28432	28412
1	CONTROL BASE	1	12836	12836B	12836	12836	12836B	12836
2	SIDE COVER HINGE BASE	2	12771D	12771D	12771D	12771D	12771D	12771D
3	SIDE COVER HINGE FIXER	2	12772D	12772D	12772D	12772D	12772D	12772D
4	CONTROL BASE SIDE COVER	2	12770W	12770B	12770W	12770W	12770B	12770W
5	CONTROL PANEL	1	12840	12840B	12840	12840	12840B	12840
6	CONTROL PANEL BOLT WRENCH	1	11053	11053	11053	11053	11053	11053
7	SPA/COVER INFLATION HOSE	1	11830	11830	11830	11830	11830	11830
8	SPA CONTROL INLET/OUTLET O-RING	2	11699	11699	11699	11699	11699	11699
9	SPA CONTROL AIR INLET O-RING	1	11687	11687	11687	11687	11687	11687
10	SPA DRAIN PLUG	1	11995	11995	11995	11995	11995	11995
11	SPA DRAIN VALVE ADAPTOR	1	13036	13036	13036	13036	13036	13036
12	FILTER CARTRIDGE HOUSING	1	11798	11798	11798	11798	11798	11798
13	FILTER CARTRIDGE	2	11692	11692	11692	11692	11692	11692
14	FILTER CARTRIDGE HOUSING LID	1	11797	11797	11797	11797	11797	11797
15	INLET/OUTLET PLUG	3	11739	11739	11739	11739	11739	11739
16	SPA TUB	1	11842	12260	11842	12106	12258	12957
17	SPA COVER	1	11841	12261	12752	12107	12256	12958
18	SPA COVER INFLATABLE BLADDER (PRE-INSTALLED IN SPA COVER)	1	11689	11689	12753	12108	12108	12959
19	GROUND CLOTH	1	11717	11717	11717	12109	12109	12960
20	CHEMICAL DISPENSER	1	12735	12735	12735	12735	12735	12735
21	TEST STRIPS	1	11855	11855	11855	11855	11855	11855
22	WRENCH	1	11742	11742	11742	11742	11742	11742
23	AIR PRESSURE RELEASE VALVE CORE	1	12589	12589B	12589	12589	12589B	12589
24	HOSE ADAPTOR (PRE-INSTALLED WITH #7)	1	12773	12773	12773	12773	12773	12773
25	MALE BUCKLE	6	11698	11698B	-	11698	11698B	11698
		1	-	-	11698	-	-	-
26	FEMALE BUCKLE	6	11799	11799B	-	11799	11799B	11799
		1	-	-	11799	-	-	-
27	DEFLATION OUTLET CAP	1	12775W	12775B	12775W	12775W	12775B	12775W
28	DEFLATION HOSE ADAPTOR	1	12774	12774	12774	12774	12774	12774
29	SPA FILTER MOTOR	1	12778	12778	12778	12778	12778	12778
30	PANEL FIXER	1	10064	10064B	10064	10064	10064B	10064

When ordering parts, be sure to quote the model number and part numbers.

PRODUCT SPECIFICATIONS

Voltage / Frequency / Phase	220 - 240 V / 50 Hz / 1 PH		
Maximum seating capacity:	4 adults	6 adults	8 adults
Water capacity:	210 gal (795 L)	290 gal (1098 L)	354 gal (1340 L)
Inner/outer diameter:	57/77 in (145/196 cm)	65/85 in (165/216 cm)	73/93 in (185/236 cm)
Height:	28 in (71 cm)		
Bubble air blower:	800 Watts		
Filter pump flow rate:	460 gal/hr (1,741 L/hr)		
Heater power:	2,200 Watts		
Temperature range:	20°C – 40°C (68°F – 104°F)		
Temperature rise:	1.5-2.5°C/hr (3°F – 4.5°F/hr)	1-2°C/hr (2°F – 3.5°F/hr)	0.8-1.5°C/hr (1.5°F – 3°F/hr)
Number of Bubble Jets:	120 (28426 / 28476) 140 (28430)	140 (28428) 170 (28432)	170
Spa tub recommended working air pressure:	0.083 bar (1.2 psi)		

Inflatable, portable aboveground cord-connected spa with pump, heater, blower, built-in hard water treatment and control panel.

Note: the spa equipment features a complete grounding system that is also in contact with the spa water. It is possible that a person may build up static electricity that discharges when touching the water. Regardless, any electric shock experienced should be investigated by a qualified electrician prior to use of the spa. Unplug the spa until the cause is determined and any corrective action completed.

⚠ WARNING

Risk of fire: This product draws a minimum of 13 AMPS. Most household circuits are 13 to 16 AMPS. If the circuit breaker trips, please check that no other appliances or other large loads are on the same circuit as the spa. Never use an extension cord. Unfold the line cord prior to use. Never place the plug on combustible materials.

SET UP

Site preparation and requirements

- The spa can be installed indoor or outdoor. For household use only.
- Make sure the area is water resistant, level, flat and free of sharp objects under or around the spa.
- Provide a properly located grounded electrical outlet with a protection grade of IPX4 or higher to connect the spa and allow easy access for periodic testing of the cord mounted RCD.
- Make sure there is enough clearance around the spa for full access to the spa equipment for maintenance and/or service.
- The area shall facilitate draining purposes during long term spa storage. Check local and national regulations regarding spa water disposal requirements.
- To reduce noise disturbance, do not install the spa in the immediate vicinity of vertical walls.
- The area shall be within reach of fresh water supply in compliance with local water regulations, and whose parameters shall be adjusted according to the spa water chemistry and balance section of the manual before first use of the spa.
- Check your local laws and regulations regarding indoor and/or outdoor spa installation.

Additional requirements for indoor installation

- Make sure the floor can support the full weight of the filled spa with the maximum number of occupants. Check with a qualified contractor or a structural engineer to verify this requirement.
- Make sure the floor is water resistant and non-slip surface. Do not install the spa on carpet or other materials that will be damaged by moisture, condensation.
- Do not install the spa indoors on a second floor above finished living space due to the possibility of water and humidity damage.

SET UP (continued)

- Humidity is a natural side effect of indoor spa installation. The room shall be properly ventilated to allow moisture to escape. Install a ventilating system to prevent excess condensation, moisture in the room.

Additional requirements for outdoor installation

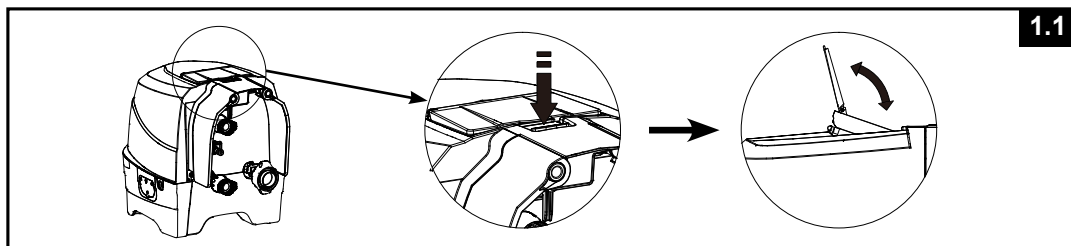
- Spa owners may need to comply with local or states laws relating to childproof fencing, safety barriers, lighting, and other safety requirements. Contact your local building code enforcement office for further details.
- Make sure the surface is level, flat, smooth and strong enough to support the full weight of the filled spa.
- Do not setup the spa on grass or dirt, as this increases the amount of debris entering the spa, and damage the spa floor.
- **Do not expose the spa to direct sunlight for extended period of time. Provide protection from the sun such as sunshade, tent, awning or gazebo.**
- It is possible to install and leave the spa outside at a temperature not lower than 4°C (39°F) provided the water temperature inside the spa is higher than 4°C (39°F) and the water inside the circulation system, pump, pipe are not frozen. Put a "temp barrier mat" between the spa floor and the ground to prevent heat loss from the bottom of the spa and to provide better heat retention. Do not use the spa if the ambient or water temperature is 4°C (39°F) or lower.

Setup the spa with at least 2 persons.

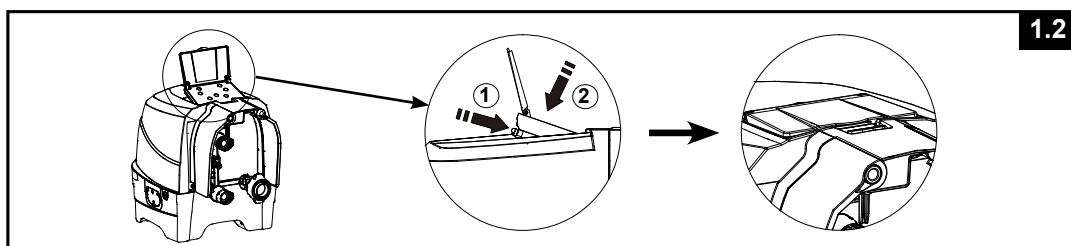
1. Move the entire package to the selected site. Do not drag the spa tub across the ground as this can cause damage and leakage.
Open the carton carefully as this carton can be used to store the spa during long term storage or when not in use.
2. Lay out all the parts on the ground and make sure all the parts are accounted for. For missing or damaged parts contact the appropriate Intex Service Center listed in the separate "Authorized service Centers" sheet.

Spa Control Panel Adjustment

1. Push the lever down to tilt up the control panel and flip up the panel cover (see drawing 1.1).



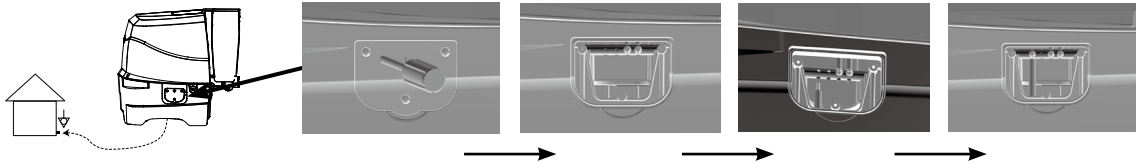
2. To stow the control panel back push the button located on the back inward while pushing the control panel down (see drawing 1.2).



SET UP (continued)

Optional equipotential bonding system

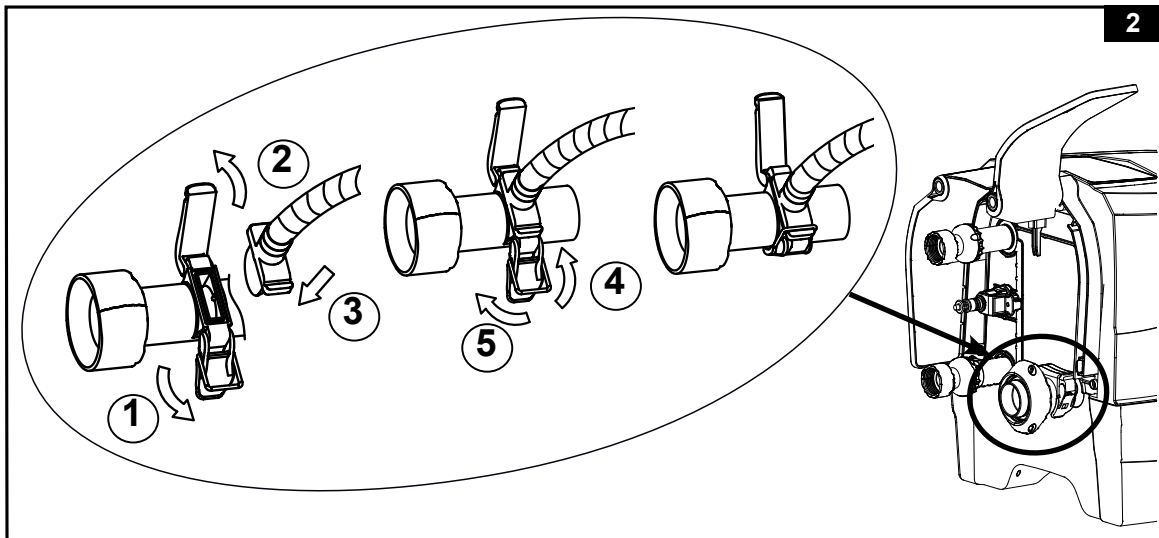
Depending on local building codes and regulations, have a qualified electrician to connect the spa equipotential terminal with a conductor (wire) having a nominal cross-sectional area of 2.5 mm² to 6mm² to the household equipotential terminal. (Wire not included)



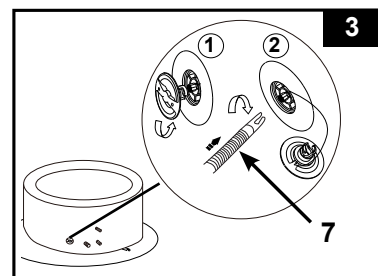
Inflation

Inflate the Spa Tub Wall




1. Take out the ground cloth (19) and spread it over the cleared area. Then spread out the spa liner over the ground cloth and point the drain valve towards a suitable draining area.
NOTE: Spread the ground cloth with the bubbles facing down over the cleared area where you intend to setup your spa.
2. Flip up the control base side cover (4) to reveal the air blower inflation outlet. Pull out the latch to open the cover, insert the hose adaptor (24) with hose and reattach the latch to the hose adaptor to secure it in place (see drawing 2).

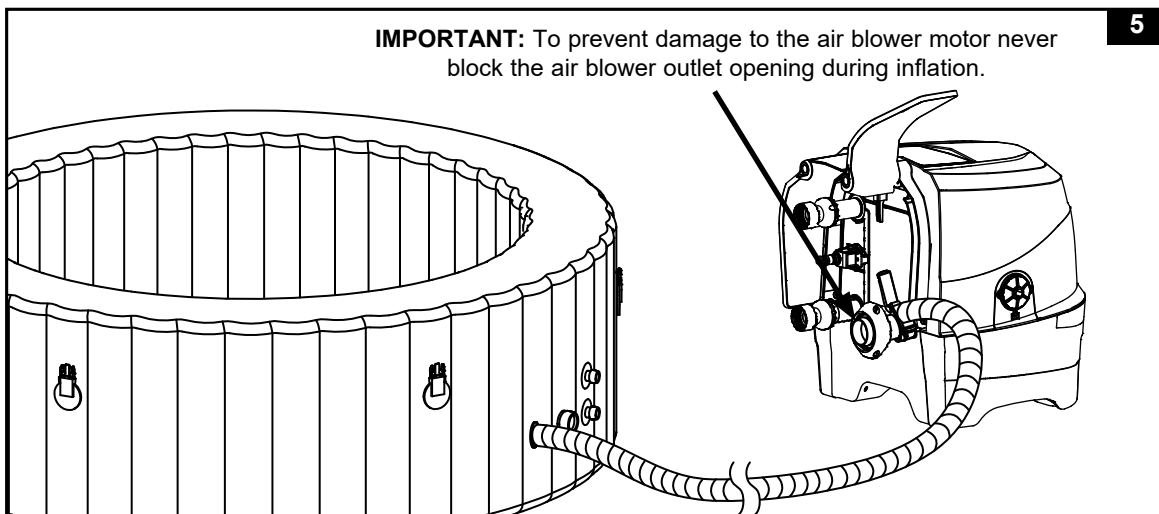
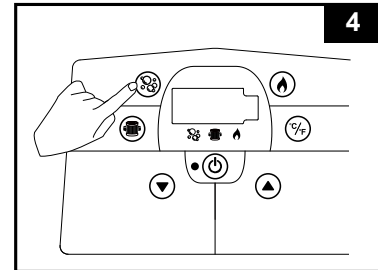


3. Unscrew the air valve cap on the spa tub to reveal the stem in the up position for inflation. Insert the other end of the inflation hose (7) into the valve and turn to the right to lock it in position (see drawing 3).



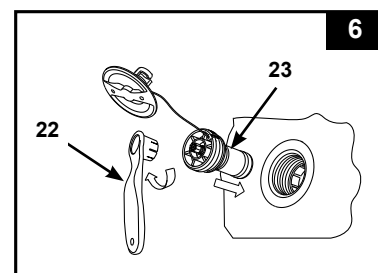
SET UP (continued)

- Press the  button to turn on the control panel. Press the  button to inflate the spa tub wall for 8 to 10 minutes until it is firm to the touch but not hard (**see drawings 4 & 5**). **IMPORTANT:** Do not over inflate or use high pressure air compressor to inflate.
- Press the  button again to turn it off.




- Replace the air valve cap back. The cap is designed to be screwed on and off. Never exert force as this could cause the complete internal inflation system of the valve to come loose. See "Spa Tub Air Valve Fastening" for valve maintenance.

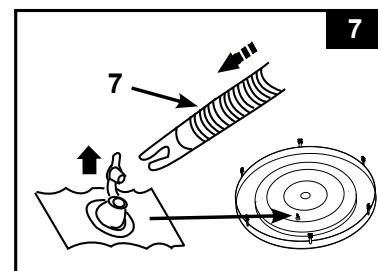
NOTE: If there is a need to replace the spa tub air pressure release valve core (**23**) due to wear and tear, use the included wrench (**22**) to unscrew the core from the valve base. Insert the replacement core and tighten with the wrench. Make sure the core is securely tightened (**see drawing 6**).



Inflate the Spa Cover Air Bladder

- Open the inflation valve and insert the inflation hose (**7**) into the valve; press  to inflate until it is firm to the touch but not hard (**see drawing 7**).
- Disconnect the inflation hose (**7**) from the air blower inflation outlet and the valve.
- Replace the control base inflation latch back; close and recess the inflation valve.

NOTE: If there is a need to add some air to the spa tub wall or spa cover air bladder after they have been setup, refer to above "Inflate the Spa Tub Wall" and "Inflate the Spa Cover Air Bladder" sections. The cover air bladder is preinstalled inside the spa cover. If it needs to be reinstalled, place the uninflated air bladder inside the spa cover lip before inflating the bladder.

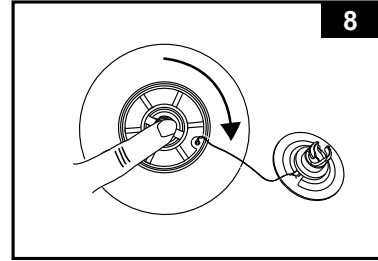


SET UP (continued)

Deflation

For Spa Tub Wall:

1. Unscrew the cap to reveal the stem, push the stem in and turn 90 degree right to secure it in the down position (**see drawing 8**).
 2. Once the deflation is completed, push the stem in and turn 90 degree left to return it to the inflation position.
 3. Replace the cap back.
- NOTE:** To deflate the spa tub for storage, see "STORAGE" section.

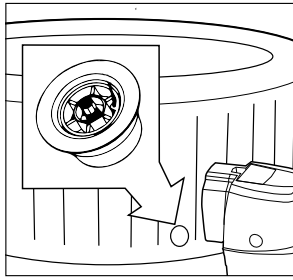


For Cover Air Bladder:

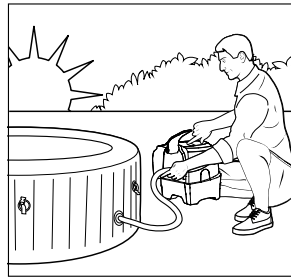
1. Pull valve cap out and squeeze the valve at its base until deflated.
2. Close and recess the valve back.

! IMPORTANT

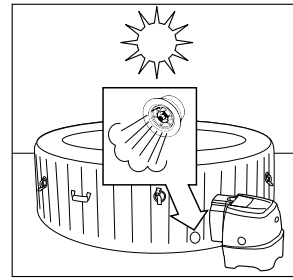
The spa tub inflation/deflation valve incorporates an "air pressure release" function that automatically releases excess air when the spa tub internal pressure is between 1.5 - 2.5 psi (0.103 - 0.172 bar).



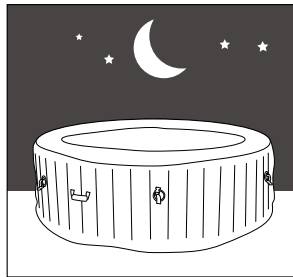
Air pressure release valve.



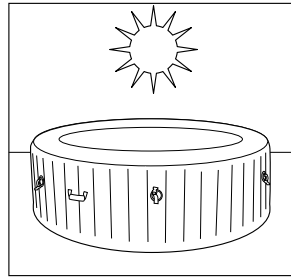
Inflation of spa in the morning.



Air expands in the midday heat. Air pressure release valve kicks in and releases excess air.

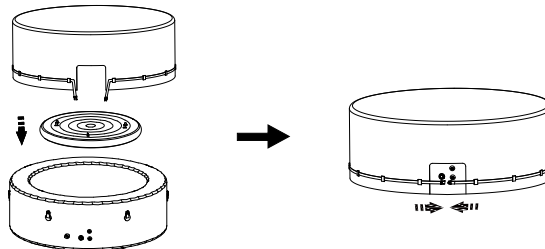


Colder temperatures at night cause the spa to seem less inflated.



Air expands in the midday heat and correct air pressure is restored.

For #28476:

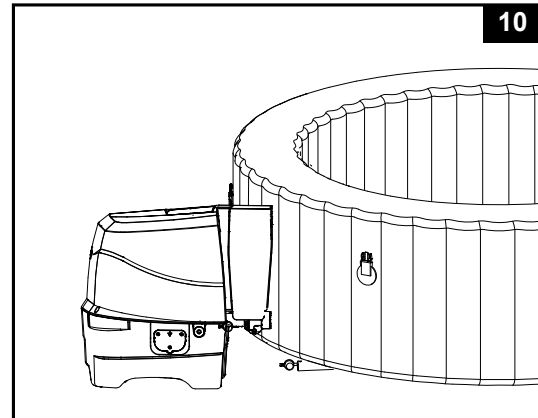
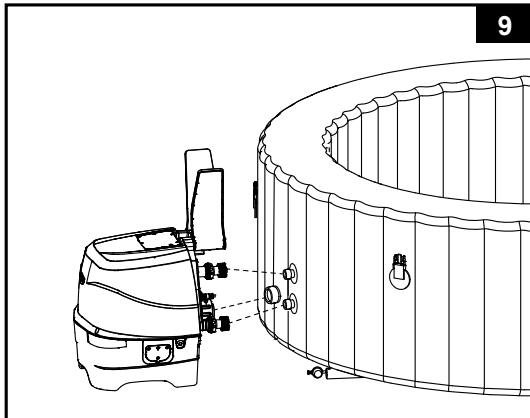


NOTE: If the spa cover air bladder does not fit into the spa tub due to over inflation, release some air from the bladder until it fits.

SET UP (continued)

Spa Control Unit Installation

1. Connect the spa control unit to the spa tub (see drawing 9). Hand-tighten the connectors securely. Do not use tools to tighten.
NOTE: Never attach external accessories not supplied with the kit to the spa tub or control base unit, as this will void the warranty.
2. Replace the control base side covers (4) (see drawing 10).
CAUTION: Do not sit, lean, cover or place any objects over the spa control unit.



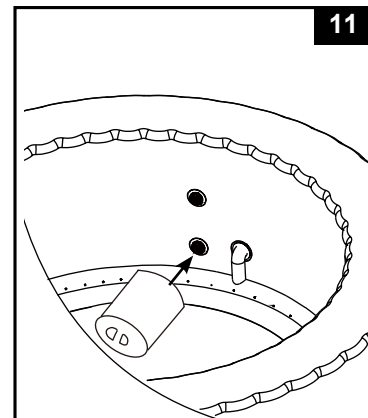
3. Attach the filter cartridge housing assembly to the inside of the spa tub outlet grid (lower position) (see drawing 11). Inflate the spa tub first before installing filter pump fittings.
4. Before filling with water ensure the bottom drain valve caps are securely closed on the inside and outside.
5. Fill the spa tub with freshwater to a level between MIN and MAX marked on the inside of the spa wall. Do not over fill the spa. Never move the spa tub with water inside and/or with the control base attached to the spa as the spa or control base may be damaged.

WARNING: Never pour water with a temperature higher than 40°C (104°F) into the spa directly. It is recommended to fill the spa tub with lukewarm water for quick heating and energy saving.

6. Place the spa cover and spa air bladder (pre-installed in spa cover) over the spa tub, and make sure the spa cover buckles are locked using the key provided after pulling the buckled straps tight.

IMPORTANT: Inspect the spa cover regularly for leak, premature wear and tear or deterioration. Never use a damaged spa cover.

7. Ensure that the spa base is plugged into a properly located and sized electrical outlet and press the ⏻ button to turn on the control panel. Press the 🔥 button on the control panel to activate the heater, see "Spa Control Panel" operation section.



Spa Cover

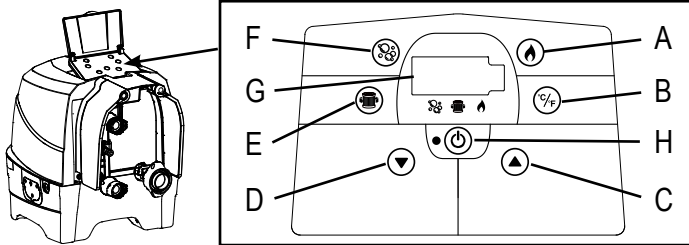
The attachment buckles of the cover are locking buckles. Two keys are provided in the plastic bag with the manual and other accessories. Each buckle is marked with "locked" and "unlocked" symbols for easy operation: put the key into the slot on the buckle and turn it to the appropriate position to lock or unlock the buckle respectively.

To assure safety from unauthorized access, always put the cover on when spa is not in use and lock all buckles. Always keep the keys out of reach of children. In case you misplace the keys, you can use any similar size flat screwdriver to lock or unlock the buckles.

When the spa is being used, the cover should be placed in a clean, dry area, otherwise it can pick up dirt and bacteria. Covers should not be put on wooden tables or wooden decking because of the risk of bleaching the wood. A cover lifter, dedicated support or similar device, is recommended for ensuring that the cover, mostly its side facing the water, does not come into contact with the ground or any other dirty surfaces.

OPERATION

SPA CONTROL UNIT PANEL



- A: Heat Button
- B: Celsius/Fahrenheit Toggle Button
- C: Temperature Increase Button
- D: Temperature Decrease Button
- E: Water Filter Button
- F: Bubble Button
- G: LED Display
- H: On/Off Button



On/Off Button: Once the unit is plugged in, use this button to activate the control unit panel buttons. The light next to the button is green when activated. Press this button to turn off all currently activated functions.

NOTE: The On/Off button may appear as a black button in the center of the control panel.

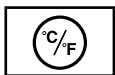


Heat Button: Use this button to activate the heating system. The pump will heat the spa water until the water temperature reaches the set temperature. When the spa water temperature drops 1-2°C (1.8-3.6°F) below the set temperature the heating system will restart. When the flame icon on the display is red, the heating system is activated. When the flame icon turns green, the water is at the set temperature. The heating system is at rest and the filtration system will continue working nonstop.

NOTE: To stop the filtration system while the heater is at rest mode, press the flame button first and then the filter button. Pressing the flame button only while the heater is at rest mode will turn off the heating system only and the filtration system will operate for another 24 hours before it turns off automatically.

IMPORTANT: The following conditions will lead to slow water heating.

- The ambient temperature is lower than 10°C (50°F).
- Outdoor wind speed is above 3.5-5.4 m/s (8-12 mph).
- The air bubble function is activated when heating the spa water.
- The spa is not properly covered with the spa cover when the water is heating.



Celsius/Fahrenheit Toggle button:

The temperature can be displayed in either Fahrenheit or Celsius. The system's default is Celsius.

NOTE: The default temperature is 20°C (68°F). Temperature adjustment ranges from 20°C (68°F) to 40°C (104°F).



Temperature Adjustment Buttons: Pressing the Temperature Increase or Decrease buttons will cause the LED to flash. When flashing you can adjust to the desired temperature setting. If you hold these buttons down the values will rapidly increase or decrease. The new and desired temperature setting will remain on the LED display for 5 seconds to confirm the new value.



Water Filter Button:

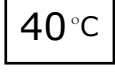
This button turns the filter pump on and off. If the heating system is activated the filtration system will automatically start.

The water filter icon on the display is green when activated.



Bubble Button: Use this button to activate the massage system, which has a 30-minute auto-shutoff feature. The bubble icon on the displays is green when activated.

CAUTION: Do not run Bubble system when the cover is attached, air can accumulate inside the spa and cause irreparable damage and bodily harm.





LED Display: Once plugged in the LED displays the current water temperature automatically.

NOTE: the built-in hard water treatment function works automatically in conjunction with the filtration system.

⚠ WARNING

NEVER use the spa if indicated water temperature is more than 40°C (104°F).

LED CODE CHART

LED Reading	CAUSE	SOLUTION
E90	No water flow	<ul style="list-style-type: none"> • Turn off and unplug the control unit. • Ensure the outlet cover grid is clean and free from obstructions. • Clean or replace the cartridge, see Maintenance and Storage section. • Ensure the in/outlet connections on the spa tub and filter pump are not blocked. • Keep the spa water properly sanitized to ensure a clean and unclogged filter cartridge. • If problem persists, contact Intex Service Center.
E94	Water temperature too low	<ul style="list-style-type: none"> • If the ambient temperature is below 4°C (39°F), we recommend not to use the spa. • Turn off and unplug the control unit, add some warm water to raise the spa water temperature above 5°C (41°F), then press the  button to heat up the water to the desired temperature. • If problem persists, contact Intex Service center.
E95	Water temperature too high	<ul style="list-style-type: none"> • Turn off and unplug the control unit. When the water has cooled down, plug the RCD and restart all over again. • Turn the heater off, then press the filter and bubble buttons to lower the water temperature. • If problem persists, contact Intex Service Center.
E96	System Error	<ul style="list-style-type: none"> • Turn off and unplug the control unit. Plug the RCD and restart all over again. • If problem persists, contact Intex Service Center.
E97	Dry-fire Protection	<ul style="list-style-type: none"> • Contact Intex Service Center.
E99	Water temperature sensor broken	<ul style="list-style-type: none"> • Contact Intex Service Center.
END	After 72 hours of continuous heating operation, the pump will hibernate automatically. The rapid heating and water filtration functions are disabled.	<ul style="list-style-type: none"> • Press the  button to re-activate the filter pump.

MINIMIZE HEAT LOSS AND ENERGY CONSUMPTION ADVICE

- 1) Always keep the spa cover on to minimize heat loss during heating of the spa between uses (but not while it is being used). Ensure the cover is fitted tightly, as per manufacturer's instructions to maximize insulation. It shall be recommended that the cover, when not in use, should be kept off the ground to retain its cleanliness (particularly the surface in close proximity to the water spa water surface). The cover should be stored in an appropriate location, where it cannot be damaged, or cause damage.
- 2) Check the set water temperature and consider lowering it for the times when the spa will typically not be in use.
- 3) Depending on external conditions, consider turning off the heater entirely if not using the spa for an extended period of time (where the spa provides this option, but still maintains residual disinfection/pH-values).
- 4) Consider that the comfortable temperature range during use may be lower than the maximum safe temperature.
- 5) Use the included insulating ground cloth underneath the spa to minimize heat loss through the bottom of the spa.
- 6) Maintain clean filters to preserve appropriate working conditions for the pump and avoid unnecessary water replacement and re-heating.

MAINTENANCE AND CHEMICALS

⚠ WARNING

Always unplug this product from the electrical outlet before removing, cleaning, servicing or making any adjustment to the product.

Water Sanitation

The spa owner must regularly check and keep the spa water sanitized with scheduled maintenance (daily, if necessary). Adding sanitizer and other chemical will control bacteria and viruses present in the spa water. The maintenance of a proper water balance through appropriate use of sanitizers is the single most important factor in maximizing the life and appearance of the spa tub as well as ensuring clean, healthy and safe water. Proper technique is important for water testing and treating the spa water. See your pool/spa professional for chemical, sanitizer, test kits and testing procedures questions.

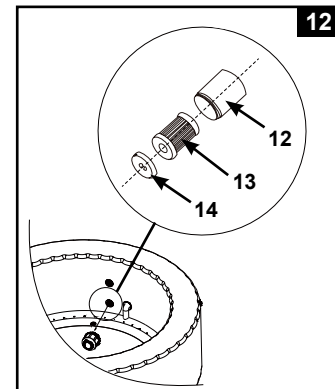
CAUTION: ALWAYS FOLLOW THE CHEMICAL MANUFACTURER'S DIRECTIONS, AND THE HEALTH AND HAZARD WARNINGS.

Do not add chemicals if the spa is occupied. This can cause skin or eye irritation. Concentrated chlorine solutions can damage the spa tub. In no event is Intex Recreation Corp., Intex Development Co. Ltd., their related companies, authorized agents and service centers, retailers or employees liable to the buyer or any other party for costs associated with the loss of spa water, chemicals or water damage.

Maintenance of Spa Water and Cartridge

Protect all the spa occupants from possible water-related illnesses by keeping the spa water clean and sanitized. Always practice good hygiene. To ensure proper spa water quality follow these procedures:

- Inspect and clean the filter cartridge every day, and change the filter cartridge every 3 days.
 - Unscrew the cartridge housing assembly from the spa tub wall and remove the cartridge (**see drawing 12**).
 - Use a garden hose to rinse off the cartridge. If the cartridge remains soiled and discolored it should be replaced. Keep spare cartridges on hand.
 - Reinstall the clean cartridge back into the cartridge housing and replace the cartridge housing assembly back onto the spa tub wall.
- Change the spa water every 2 weeks. See "Spa Tub Drainage" and "Spa Tub Cleaning" sections for details.
- Use spa chemicals to maintain proper water chemistry. Spa damage resulting from misuse of chemicals and mismanagement of spa water is not covered by the warranty.
- All occupants must shower before entering the spa.



Water Chemistry Balance

Maintain the spa water pH level between 6.8 and 7.6, total alkalinity level between 60 and 120 ppm and free chlorine level between 2 to 4 ppm. Use the included test strips to test the spa water chemistry before each use of the spa and continue to test the water no less than once a week.

The Test Strips can test the "Free Chlorine", "pH", "Total Alkalinity" and "Calcium Hardness" levels at the same time:

- Dip the entire strip into the water and remove immediately.
- Hold the strip level for 15 seconds. Do not shake excess water from the strip.
- Compare the strip pad to the color chart on the packaging label. If necessary, adjust the chemical level in the pool water.

NOTE: Check the expiry date of the test kit as the test results may be inaccurate if the kit is used after that date. Low pH will damage the spa tub and pump. Damage resulting from chemical imbalance is not covered by the warranty.

Use the included chemical floater dispenser to administer chlorine [chemical tablet size: less than 1" (2.5 cm) diameter] into the spa water. Add 1 tablet into the dispenser. Always follow the chemical manufacturer's directions. Remove the chemical floater dispenser when the spa is in use.

Never let chlorine come in contact with the spa tub if it is not completely dissolved.

Flush all pipes with treated water by activating the bubble function for an hour a day.

IMPORTANT: Press the  button on the spa control panel to turn on the bubble air blower and help dissolve the chemicals into the water.

Never mix chemicals together. Add the chemicals to the spa water separately. Thoroughly dissolve each chemical before adding another one to the water.

SPA WATER CHEMISTRY AND BALANCE

Parameter	Value ^a
Water clarity	clear view of the bottom
Total Alkalinity (TA) in mg/l	60 to 120
Calcium Hardness (CaCO ₃) in mg/l	150 to 250
Colour of the water	no colour should be observed ^{b, c}
Turbidity in FNU/NTU	max. 1.5 (preferably less than 0.5)
Nitrate concentration above that of fill water in mg/l	max. difference of 20 compared to the fill water concentration
Total organic carbon (TOC) in mg/l ^d	max. 4.0
Redox potential against Ag/AgCl 3.5 M KCl in mV	min. 650
pH value ^{e, f}	6.8 to 7.6
Free active chlorine (without cyanuric acid) in mg/l	0.3 to 1.5 ^g
Bromine in mg/l	2.0 to 4.0 ^h

When using alternative/additional disinfectants other appropriate parameters may be considered.

- a Consult national regulations and guidelines for any deviations.
- b Natural water sources may introduce water colouration.
- c Intentional water colouration is excluded.
- d When using organic compounds this value may be higher.
- e Subject to the flocculant(s) used (if any).
- f When pH is greater than 7.5 the free active chlorine is less than 50 %.
- g Commonly recommended concentration of free chlorine in aquatic settings is 0.3 to 1.5 mg/l. However, in order to ensure water hygiene in the spa setting where the water is heated and the water volume to user ratio is low, it is acceptable to temporarily exceed this concentration with manual dosage, provided the health of the user is not compromised. Therefore, a range of 2.0 to 4.0 mg/l is acceptable as also recommended by the U.S. Environmental Protection Agency and the Center for Disease Control. Do not use cyanuric acid.
- h Temporary exceeding due to manual dosage and low water volume to user ratio is acceptable, provided the health of the user is not compromised.

Particular care should be taken with chemical treatment of the water with special attention to disinfectant limits and control of pH values. The use of ozone or UV, where applicable, shall always be accompanied by residual disinfection with an oxidising biocide (e.g. Chlorine or Bromine or other biocide products, compatible with manufacturer's recommendations).

Improper use of chemicals may result in degradation, damage and other imperfections of the spa surface and other spa components (typically discolouration of materials, corrosion of metal parts).

Free chlorine: is the chlorine residual present in the spa water.

Result if too low – Inadequate level of disinfection.

Result if too high – cause odor problem, skin & eye irritation, corroded metals and other materials.

pH: a value that indicates how acidic or basic the spa water is.

Result if too low – Corroded metals, eye & skin irritation, and destruction of total alkalinity.

Result if too high – Scale formation, cloudy water, shorter filter/heater runs, eye & skin irritation, poor chlorine efficiency.

Total Alkalinity (TA): indicates the degree of the water's resistance to pH change. It determines the speed and ease of pH change, so always adjust total alkalinity before adjusting the pH level.

Result if too low – Corroded metals, eye & skin irritation. Low alkalinity will cause the pH to be unstable.

Result if too high – Scale formation, cloudy water, shorter filter/heater runs, eye & skin irritation, high chlorine demand.

SPA WATER CHEMISTRY AND BALANCE (continued)

Calcium Hardness (CaCO₃): refers to the amount of calcium and magnesium dissolved in the water. Result if too low – Difficulty balancing water, corrosion of metal components, eye & skin irritation and water foaming.

Result if too high – Scale formation, cloudy water, eye & skin irritation, difficulty balancing water and filter/heater inefficiency.

Saturation Index (SI): temperature, calcium hardness concentration, total alkalinity and pH represent the main factors influencing scale formation. The tendency of water to either form scale or corrode is indicated by the Saturation Index (SI):

$$SI = pH + TF + CF + AF - 12.1$$

*Where: TF = Temperature Factor; CF = Calcium Hardness Factor; AF = Total Alkalinity Factor

Water Temperature		TF	Calcium Hardness (ppm)	CF	Total Alkalinity (ppm)	AF
(°C)	(°F)					
8	46	0.2	75	1.5	50	1.7
12	54	0.3	100	1.6	75	1.9
16	61	0.4	150	1.8	100	2.0
19	66	0.5	200	1.9	150	2.2
24	75	0.6	250	2.0	200	2.3
29	84	0.7	300	2.1	300	2.5
34	93	0.8	400	2.2	400	2.6
40	104	0.9	500	2.3	--	--

Test the water pH, Temperature, Calcium Hardness and Total Alkalinity levels. Use the equivalent Factors in the SI equation.

SI = 0, Balance

If SI > 0, Scaling or cloudy water condition.

If SI < 0, Corrosive to metals or eye & skin irritating condition.

The SI is considered satisfactory if the value is within -0.3 to +0.3 range. Zero being perfect.

SPA Water Adjustment

How to adjust the spa water chemistry when the levels are off the range. **CAUTION:** Always follow the chemical manufacturer's directions, and the health and hazard warnings.

Total Alkalinity (TA) Adjustment

Remove the spa cover to aerate the water and use the included test strips to check the chemistry level.

Ensure the chlorine level in the water is between 2-4 ppm first, as chlorine will affect the TA test result.

If the TA level (and not the pH) is higher than 120 ppm, add appropriate chemical product to lower the TA level.

If the TA level is lower than 60 ppm, add appropriate chemical product to raise the TA level.

NOTE: After adjustment, retest the water after 24 hours and adjust again if necessary.

pH Adjustment

After the total alkalinity has been lowered to 120 ppm or raised to 80 ppm and the pH is still high or low, add appropriate chemical product to adjust the pH level between 6.8 and 7.6.

Calcium Hardness Adjustment


Use the included test strips to check the water hardness level and adjust it with appropriate chemical product.

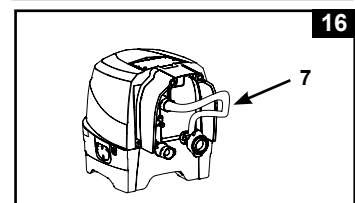
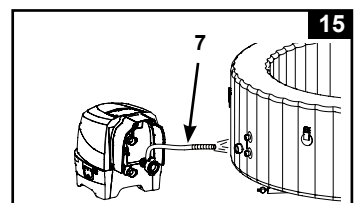
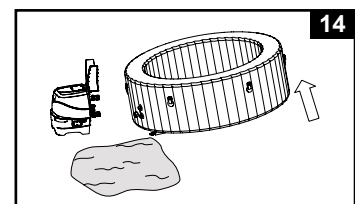
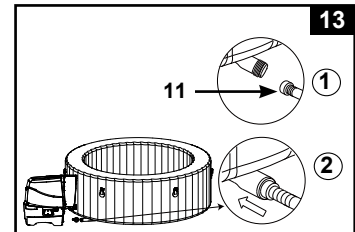
WARNING

Handle all chemicals with care and wear extra personnel protective equipment including goggle and gloves. It is very important not to splash acid onto your skin or clothing, or into your eyes.

MAINTENANCE

Spa Tub Drainage

1. Turn off the spa control unit.
2. Connect the drain valve adaptor to a garden hose and point the other end of the garden hose to a suitable draining area.
3. Remove the drain valve cap from outside of the spa tub and attach the drain valve adaptor to the drain valve (**see drawing 13**).
4. From inside of the spa tub, open the drain valve cap, water will start flowing out from the garden hose.
5. When the water stops draining, disconnect the spa control unit from the spa tub wall. Lift the spa tub wall from the side opposite the drain, leading any remaining water to the drain and emptying the spa completely (**see drawing 14**).
6. Attached the inflation hose (7) to the air blower inflation outlet on the control unit.
7. Turn on the spa and press the  button, aim the inflation hose at the inlet/outlets on the spa tub and spa control unit to dry out any water in the piping system (**see drawings 15 & 16**).
8. Use a clean towel to wipe up any remaining water and moisture on the spa tub and spa control unit.
9. Ensure the spa tub and spa control unit are thoroughly dried.
NOTE: The enclosed plugs (15) can be used to cover the water inlet and outlet connectors from the inside of the spa tub to prevent water from flowing out.



Spa Tub Cleaning

If dirt is visible in the water or water becomes cloudy and proper water chemistry does not clear it up, change the water and clean the spa tub.

See "Spa Tub Drainage" section on how to drain the spa.

While empty, remove the cartridge housing from inside of the spa tub wall, clean and/or replace the filter cartridge. Use a sponge and mild soap solution to wipe away any soil or stains on the inside of the spa wall. Rinse thoroughly before refilling with clean water.

IMPORTANT: Do not use steel wool, hard brushes or abrasive cleaners.

Biofilm Removal

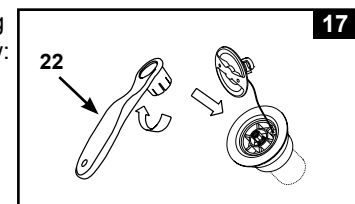
See your local spa professional for biofilm removal products and advice.

Spa Tub Air Valve Fastening

Check the spa tub air valve for leakage and tightness before use. If air is leaking from the air valve, use the provided wrench (22) to tighten the air valve as follow:

1. Make sure the spa tub is deflated, open the air valve cap and insert the wrench (22) into the air valve body (**see drawing 17**).
2. With one hand, hold the backside of the air valve base from the inside of the spa tub wall and turn the wrench (22) clockwise.

IMPORTANT: Never adjust the air valve base when the spa is in use or filled with water. Only use the air valve wrench if the air valve is loose or there is leakage around air valve base. Do not over tighten the air valve: over tightening can damage the valve. Just ensure the air valve is snug and not leaking.



Spa Cover

Inspect the spa cover regularly for leaks, premature wear and tear, damage, or signs of deterioration. Never use a worn or damaged cover: it will not provide the level of protection required to prevent unsupervised access to the spa by a child.

Clean the cover inside and outside periodically using a sponge and a suitable solution that includes adequate disinfection (10 mg per liter of free chlorine). Do not use steel wool, hard brushes or abrasive cleaners.

MAINTENANCE (continued)

Spa Surround

Barefoot areas and relaxing areas around the spa shall be cleaned on a regular basis. No cleaning water may flow into the spa or spa water cycle. The dirt and cleaning agents shall be rinsed carefully to drain in the spa surround.


Spa Tub and Cover Air Bladder Repair

Use the enclosed repair patch to repair any puncture:

- Clean and dry the area to be repaired thoroughly.
- Remove the patch backing paper and press patch firmly over the puncture. Smooth out the surface to remove any air bubbles under the patch.

STORAGE

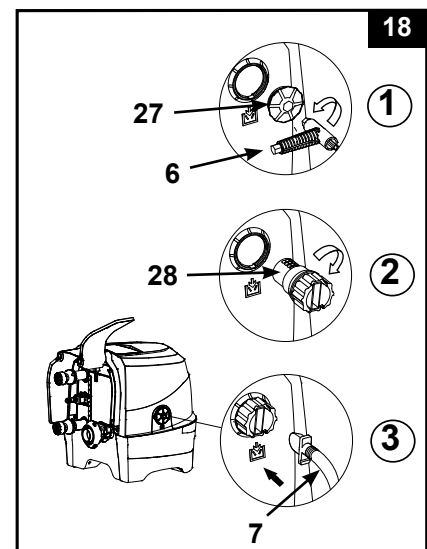
In regions subject to freezing temperatures, drain, clean, disassemble and properly store the spa set and related components indoors when the temperature drops below 4°C (39°F).

1. Drain and clean the spa following the "Spa Tub Drainage" and "Spa Tub Cleaning" sections.
2. Reverse set up instructions to deflate and disassemble the spa tub, spa control unit and spa cover air bladder.
3. To deflate the tub and the cover air bladder:
 - a) Open the deflation outlet cap (27) with the included bolt wrench (6) (see drawing 18).
 - b) Insert deflation hose adaptor (28) into the deflation outlet.
 - c) Insert inflation hose (7) over the deflation hose adaptor (28).
 - d) Insert the other end of the inflation hose into the tub air valve or cover air bladder valve.
 - e) Press the air bubble  button to deflate.
 - f) When deflation is completed reverse above steps and ensures the deflation outlet cap (27) is securely fastened.

Caution: Only use for the purpose described in this manual.

Keep the inflation hose away from water or small objects when the deflation function is activated to avoid damage to the blower motor.

4. Make sure all the spa components and accessories are thoroughly clean and dry before storage. Air-dry the spa tub in the sun for an hour before folding.
5. Fold the spa tub loosely and avoid any sharp corners to prevent damage or leakage to the spa tub liner.
6. Prepare additional new cartridges for next time use.
7. Store the spa tub and accessories indoors, in a dry, temperature controlled, between 0° – 40°C (32° – 104°F), storage location.
8. The original packing can be used for storage.



TROUBLESHOOTING

PROBLEM	CAUSE	SOLUTION
NO DISPLAY/SPA CONTROL UNIT DOES NOT WORK	<ul style="list-style-type: none"> Spa is unplugged or off. Control panel cable plug loose. Power failure. RCD tripped. RCD broken. 	<ul style="list-style-type: none"> Ensure the spa is plugged and switched on. Ensure the control panel cable plug is firmly attached to the control base receptacle. Check power source. Reset the RCD. Contact Intex Service Center.
HOUSEHOLD CIRCUIT BREAKER TRIPPED	<ul style="list-style-type: none"> Circuit breaker under rated. Overloaded circuit breaker. An electrical fault in the line. 	<ul style="list-style-type: none"> Ensure correct circuit breaker rating. Provide a dedicated circuit breaker feeding the spa electrical outlet only. Contact a qualified electrician to correct the electrical fault.
NOT HEATING PROPERLY	<ul style="list-style-type: none"> Temperature set too low. Dirty filter cartridge. Water temperature decreasing during heater STANDBY mode. Heating element failed. 	<ul style="list-style-type: none"> Increase the temperature and attach the spa cover. Clean or replace the filter cartridge in time. If heater is in STANDBY mode, press the flame button twice to heat up the water to the set temperature. Contact Intex Service Center.
BUBBLE AIR BLOWER DOES NOT WORK	<ul style="list-style-type: none"> Air blower pump is too hot. 	<ul style="list-style-type: none"> Turn off and unplug the spa. Let it cool down and restart all over again. If problem persists, contact Intex Service Center.
FILTRATION PUMP NOT WORKING	<ul style="list-style-type: none"> Dirty filter cartridge. Filtration inlet and/or outlet clogged. Filter pump motor failed. 	<ul style="list-style-type: none"> Clean or replace the filter cartridge in time. Check and clean filtration inlet and outlet regularly. Contact Intex Service Center.
WATER NOT CLEAN	<ul style="list-style-type: none"> Cartridge assembly not properly attached. Insufficient filtering time. Dirty filter cartridge. Improper water maintenance. Filtration inlet and outlet clogged. 	<ul style="list-style-type: none"> Ensure the cartridge assembly is properly attached. Increase filtration time. Clean or replace the filter cartridge in time. Keep the spa water properly sanitized. Refer to the chemical manufacturer's instructions. Check and clean filtration inlet and outlet regularly.
PUMP CONNECTORS ARE NOT LEVEL WITH THE SPA CONNECTORS	<ul style="list-style-type: none"> One characteristic of PVC is that it changes shape, which is normal. 	<ul style="list-style-type: none"> Elevate the pump with wood or another type of insulated material to bring the pump's connectors level with the spa's connectors.
TUB HAS A STRANGE SHAPE	<ul style="list-style-type: none"> Expanded internal air pressure by strong sunshine. 	<ul style="list-style-type: none"> Do not expose the spa to direct sunlight for extended period of time. Check the air pressure and release air if necessary. During very hot weather, you must check to see whether it is necessary to release some air. This is to avoid any possible damage to the tub.

TROUBLESHOOTING (continued)

PROBLEM	CAUSE	SOLUTION
TUB LOSES AIR PRESSURE	<ul style="list-style-type: none"> • Air valve cap loose. • Air valve base loose. • Hole, cut or split on spa tub. 	<ul style="list-style-type: none"> • Ensure air valve cap is securely closed. • Fill up the spa tub with air then make sure the air valve base is tighten, see "Spa Tub Air Valve Fastening" section. • Put liquid soap and water in a squirt bottle and spray on seams. If there is a leak it will bubble. After you find the leak, clean and dry the leaking area, then apply the repair patch that comes with your spa.
LEAKING BETWEEN SPA TUB CONNECTORS AND CONTROL UNIT CONNECTORS	<ul style="list-style-type: none"> • Spa control base inlet/outlet connections not securely tight. • Spa control base inlet/outlet o-ring missing/dirty. 	<ul style="list-style-type: none"> • Tighten inlet and outlet connections. • Coat the o-ring with petroleum jelly for water proof. • Remove grid from inside spa with a screwdriver, ensure inlet/outlet O-ring is in place, clean and not damaged.
SPA IS TOO NOISY IN FILTRATION MODE ONLY	<ul style="list-style-type: none"> • Control base components not securely attached. • Control base ground not level and firm. • Spa filter motor failed. 	<ul style="list-style-type: none"> • Ensure control panel, back cover and all inlet/outlet are securely connected. • Ensure ground is level, firm and smooth. • Replace the failed filter motor with a new one.
AIR PRESSURE IS WEAK DURING INFLATION	<ul style="list-style-type: none"> • Hose adaptor o-ring missing. • Inflation hose adaptor not securely tighten. • Connection between the hose adaptor and blower inflation outlet, and between the inflation hose and inflation valve are loose. • Air blower failure. 	<ul style="list-style-type: none"> • Ensure the o-ring is in place. • Tighten/reinstall hose adaptor. • Finger tighten during inflation. • If problem persists, contact Intex Service Center.
AIR BUBBLES ARE NOT AS STRONG AS BEFORE	<ul style="list-style-type: none"> • O-ring missing between the control base air outlet and spa tub air inlet connections. • Air connection nut is not securely tight. • Air bubble channel passage inside the tub broken or leaking. • Air blower failure. 	<ul style="list-style-type: none"> • Ensure the o-ring is in place. • Finger tighten all nuts. • Use repair patch to repair any puncture. • If problem persists, contact Intex Service Center.

IMPORTANT

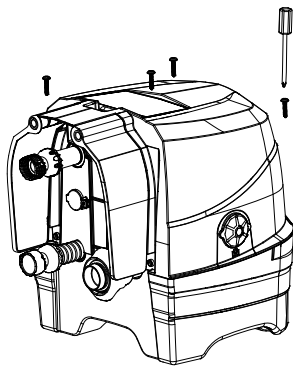
If you continue to experience difficulty, please contact our Consumer Service Department for assistance. See separate "Authorized Service Centers" sheet.

FILTER PUMP MOTOR DISASSEMBLY

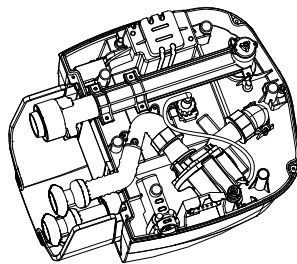
If there is a need to replace the filter motor (for qualified technician only), follow below steps to disassemble it:

IMPORTANT: You must drain out any remaining water inside the piping system of the control base before replacing any parts.

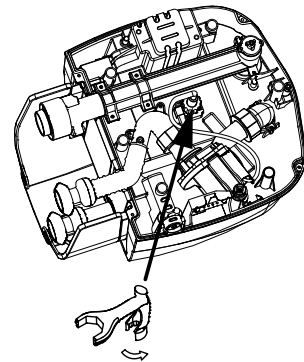
Tools required: One adjustable wrench and one Philip screwdriver.



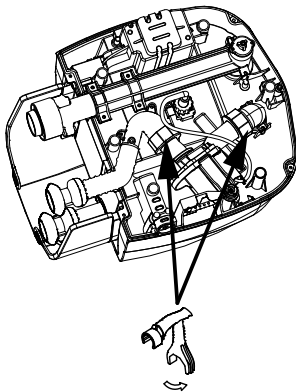
1



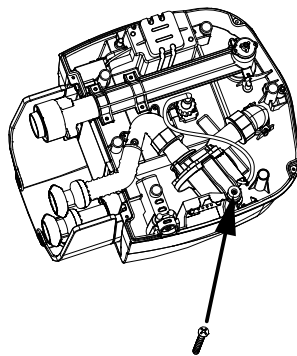
2



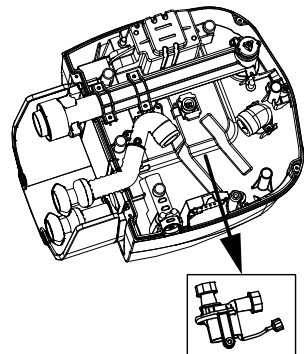
3



4



5



6

NOTE: The "special wrench tool" is included with the new filter pump motor replacement and not with the spa set.

WARRANTY

Your PureSpa has been manufactured using the highest quality materials and workmanship. All Intex products have been inspected and found free of defects prior to leaving the factory. This limited warranty applies only to the PureSpa only.

This limited warranty is in addition to, and not a substitute for, your legal rights and remedies. To the extent that this warranty is inconsistent with any of your legal rights, they take priority. For example, consumer laws across the European Union provide statutory warranty rights in addition to the coverage you receive from this limited warranty: for information on EU-wide consumer laws, please visit the European Consumer Center website at http://ec.europa.eu/consumers/ecc/contact_en/htm.

The provisions of this limited warranty apply only to the original purchaser and are not transferable. This limited warranty is valid for a period of one (1) year from the date of the initial retail purchase. Keep your original sales receipt with this document, as proof of purchase will be required and must accompany warranty claims or the limited warranty will be invalid.

PureSpa Warranty – 1 Year

If you find a manufacturing defect in the PureSpa during the warranty period, please contact the appropriate Intex Service Center listed in the separate "Authorized Service Centers" sheet. If the item is returned as directed by the Intex Service Center, the Service Center will inspect the item and determine the validity of the claim. If the item is covered by the provisions of the warranty, the item will be repaired or replaced, with the same or comparable item (at Intex's choice) at no charge to you.

Other than this warranty, and other legal rights in your country, no further warranties are implied. To the extent possibly in your country, in no event shall Intex be liable to you or any third party for direct or consequential damages arising out of the use of your PureSpa, or Intex or its agents' and employees' actions (including the manufacture of the product). If your country does not allow the exclusion or limitation of incidental or consequential damages, this limitation or exclusion does not apply to you.

You should note that this limited warranty does not apply in the following circumstances:

- If the PureSpa is subject to negligence, abnormal use or application, accident, improper operation, improper voltage or current contrary to operating instructions, improper maintenance or storage;
- If the PureSpa is subject to damage by circumstances beyond Intex's control, including but not limited to, ordinary wear and tear and damage caused by exposure to fire, flood, freezing, rain, or other external environmental forces;
- If the PureSpa is used for any commercial purposes;
- To parts and components not sold by Intex; and/or.
- To unauthorized alterations, repairs or disassembly to the PureSpa by anyone other than Intex Service Center personnel.

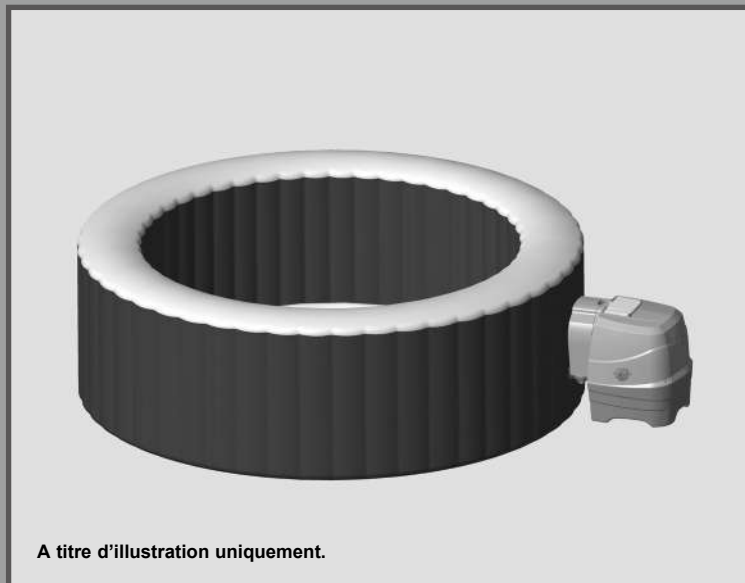
The costs associated with the loss of pool water, chemicals or water damage are not covered by this warranty. Injury or damage to any property or person is not covered by this warranty.

Read the owner's manual carefully and follow all instructions regarding proper operation and maintenance of your PureSpa. Always inspect your product prior to use. This limited warranty will be void if use instructions are not followed.

IMPORTANT

Lisez et suivez attentivement toutes ces instructions avant d'installer et d'utiliser ce produit. Conserver pour consultation future.

PureSpa™ SB-H20



A titre d'illustration uniquement.

N'oubliez pas d'essayer les autres produits de la gamme Intex : piscines hors sol, accessoires de piscine, piscines gonflables, jouets d'intérieur gonflables, airbeds et bateaux. Ces produits sont disponibles chez les différents revendeurs ou sur notre site internet.

En raison d'une politique d'amélioration continue de ses produits, Intex se réserve le droit de modifier les spécifications et l'apparence, ce qui peut entraîner des mises à jour du manuel d'instruction sans préavis.

INTEX®

©2020 Intex Marketing Ltd. - Intex Development Co. Ltd. - Intex Recreation Corp.
All rights reserved/Tous droits réservés/Todos los derechos reservados/Alle
Rechte vorbehalten. Printed in China/Imprimé en Chine/Impreso en China/
Gedruckt in China.

®™ Trademarks used in some countries of the world under license from/®™ Marques utilisées dans certains pays sous licence de/Marcas registradas utilizadas en algunos países del mundo bajo licencia de/Warenzeichen verwendet in einigen Ländern der Welt in Lizenz von/Intex Marketing Ltd. to/à/a/an Intex Development Co. Ltd., G.P.O Box 28829, Hong Kong & Intex Recreation Corp., P.O. Box 1440, Long Beach, CA 90801 • Distributed in the European Union by/Distribué dans l'Union Européenne par/Distribuido en la unión Europea por/Vertrieb in der Europäischen Union durch/Intex Trading B.V., Venneveld 9, 4705 RR Roosendaal – The Netherlands
www.intexcorp.com

TABLES DES MATIERES

Attention.....	3-6
Detail des pieces.....	7-8
Instructions de montage.....	9-14
Instructions d'utilisation.....	15
Codes d'affichage.....	16
Conseils pour minimiser les pertes calorifiques et la consommation d'énergie.....	17
Entretien et produits chimiques.....	18-22
Stockage Hivernal.....	22
Guide en cas de panne.....	23-24
Démontage du moteur de filtration.....	25
Garantie limitée.....	26

IMPORTANT

Toujours respecter les précautions de sécurité de base concernant l'installation et l'utilisation de cet équipement électrique qui comprennent.

LISEZ ATTENTIVEMENT ET SUIVEZ TOUTES LES INSTRUCTIONS**⚠ DANGER**

- Danger de noyade (notamment pour les enfants de moins de 5 ans). Il faut veiller à prévenir l'accès non autorisé des enfants au spa. Cela peut être réalisé par un surveillant adulte sécurisant les moyens d'accès ou par l'installation d'un système de protection de sécurité du spa. Pour prévenir les accidents pendant l'utilisation du spa, veillez à ce que les enfants soient constamment surveillés.
- Risque de noyade. Inspectez régulièrement la couverture du spa pour détecter d'éventuelles fuites, usures prématurées, détériorations ou signes de détérioration. N'utilisez jamais une couverture usée ou endommagée, car elle ne peut pas fournir le niveau de protection requis pour empêcher l'accès non autorisé d'un enfant au spa.
- Risque de blessure. La taille des raccords d'aspiration de ce spa a été choisie pour correspondre au débit d'eau spécifique généré par la pompe. S'il faut changer la pompe ou les raccords d'aspiration, veillez à ce que les débits soient compatibles. N'utilisez jamais le spa si les raccords d'aspiration sont cassés ou manquants. Ne remplacez jamais un raccord d'aspiration par un raccord portant l'indication d'un débit inférieur au raccord d'origine.
- Risque de blessure. Si le cordon d'alimentation est endommagé, il doit être remplacé immédiatement. N'enterrez pas le cordon d'alimentation. N'utilisez pas de rallonge électrique.
- Danger d'électrocution. Veillez à ce qu'il n'y ait aucun appareil électrique, par exemple une lampe, un téléphone, une radio ou un téléviseur, à moins de 3,5 m du spa ou du jacuzzi.
- Danger d'électrocution. N'utilisez pas le spa quand il pleut, quand il y a du tonnerre ou des éclairs.

⚠ AVERTISSEMENT

- Le spa doit être pourvu d'un transformateur de séparation ou être alimenté par un dispositif de courant résiduel (RCD) avec un courant résiduel assigné de fonctionnement ne dépassant pas les 30mA.
- La partie électrique du spa comprend un dispositif différentiel à courant résiduel (DDR) dont le courant nominal et résiduel de fonctionnement ne dépasse pas 10 mA. Si un courant de fuite de plus de 10 mA est détecté, le DDR sera activé et coupera l'alimentation électrique, auquel cas, débranchez l'appareil et cessez immédiatement de l'utiliser. Veuillez contacter un centre de réparation local pour obtenir de l'aide et/ou la réparation du produit.
- Les pièces comportant des composants sous tension, à l'exception des pièces alimentées par un courant basse tension de sécurité renforcée ne dépassant pas 12 V, doivent être inaccessibles aux personnes se trouvant dans le spa.
- L'installation électrique doit être conforme aux exigences des normes locales et nationales.
- Les pièces comportant des composants électriques, à l'exception des pièces de contrôle à distance, doivent être positionnées ou fixées en sorte de ne pas pouvoir tomber dans le spa.
- Pour réduire le risque de blessure, n'autorisez pas les enfants à utiliser ce produit sauf s'ils font l'objet d'une surveillance étroite et constante.
- Les enfants ne doivent pas utiliser les spas et les jacuzzis sans la supervision des adultes.
- Pour réduire le risque de noyade d'un enfant, supervisez les enfants en permanence. Attachez et verrouillez la couverture du spa après chaque utilisation.
- Pour réduire les risques de blessure/maladie:
 - a) L'eau d'un spa ne doit jamais dépasser les 40°C. Une température sécuritaire pour un adulte en bonne santé est comprise entre 38°C (100°F) et 40°C (104°F). Une température moindre est recommandée pour les jeunes enfants et lorsque le spa est utilisé pendant plus de dix minutes. Il est recommandé de demander conseil à un médecin avant l'utilisation.
 - b) Comme des températures excessives de l'eau présentent une possibilité élevée de provoquer des dommages fœtaux pendant les premiers mois de la grossesse, les femmes enceintes ou potentiellement enceintes doivent limiter la température de l'eau du spa et leur durée d'utilisation, elles doivent aussi demander conseil à un médecin.

▲ AVERTISSEMENT

- c) L'utilisateur doit contrôler la température de l'eau avant d'entrer dans le spa.
- d) La consommation d'alcool, de drogue ou de médicament avant ou pendant l'utilisation d'un spa peut faire perdre connaissance et engendre donc un risque de noyade.
- e) Toute personne présentant une pathologie doit consulter un médecin avant d'utiliser un spa.
- f) Les personnes prenant un médicament et/ou ayant des antécédents médicaux défavorables doivent consulter un médecin avant d'utiliser un spa, car certains médicaments peuvent induire de la somnolence et d'autres médicaments peuvent affecter le rythme cardiaque, la tension artérielle et la circulation sanguine.
- g) Évitez de mettre la tête sous l'eau et de boire l'eau du spa.
- Les personnes affectées de maladies infectieuses ne doivent pas utiliser un spa.
 - Pour éviter les blessures, faites attention lorsque vous entrez ou sortez du spa ou du jacuzzi.
 - Les femmes enceintes et les femmes potentiellement enceintes doivent consulter un médecin avant d'utiliser un spa ou un jacuzzi.
 - Une température de l'eau supérieure à 38°C peut être préjudiciable à votre santé.
 - Ne pas utiliser le spa tout de suite après un exercice physique épuisant.
 - L'immersion prolongée dans un spa ou un jacuzzi peut être préjudiciable à votre santé.
 - Si une femme enceinte reste longtemps dans de l'eau chaude, cela peut être nocif pour son fœtus. Mesurez la température de l'eau avant de rentrer dans l'eau. N'entrez pas dans le spa si la température de l'eau est supérieure à 38°C (100°F). Ne restez pas dans le spa plus de 10 minutes.
 - La chaleur, en conjonction avec l'alcool, les drogues ou les médicaments, peut provoquer un évanouissement.
 - Sortez immédiatement en cas d'inconfort, d'endormissement ou de vertiges. La chaleur du spa peut provoquer une hyperthermie et un évanouissement.
 - Les causes, les symptômes et les effets de l'hyperthermie sont décrits ci-dessous : L'hyperthermie se produit quand la température interne du corps devient supérieure de plusieurs degrés à la température corporelle normale de 37°C (98.6°F). Les symptômes de l'hyperthermie comprennent l'augmentation de la température interne du corps, les vertiges, la léthargie, l'engourdissement et l'évanouissement. Les effets de l'hyperthermie comprennent l'incapacité à ressentir la chaleur, l'incapacité de reconnaître le besoin de sortir du spa ou du jacuzzi, l'inconscience d'un danger imminent, le traumatisme du fœtus des femmes enceintes, l'incapacité physique à sortir du spa ou du jacuzzi et l'évanouissement engendrant un risque de noyade.
 - La consommation d'alcool, de drogue ou de médicament peut augmenter considérablement le risque d'hyperthermie mortelle dans les spas et les jacuzzis.
 - Ajoutez toujours les produits d'entretien dans l'eau et jamais l'inverse. Ajoutez l'eau aux produits d'entretien peut générer des fumées, des réactions violentes et des projections dangereuses de produit.
 - Ne sautez jamais et ne plongez jamais dans un spa ni dans aucun autre plan d'eau peu profond.
 - L'assemblage et le démontage ne doivent être effectués que par les adultes.
 - Cet appareil peut être utilisé par des enfants âgés d'au moins 8 ans et par des personnes ayant des capacités physiques, sensorielles ou mentales réduites ou dénuées d'expérience ou de connaissance, s'ils (si elles) sont correctement surveillé(e)s ou si des instructions relatives à l'utilisation de l'appareil en toute sécurité leur ont été données et si les risques encourus ont été appréhendés. Les enfants ne doivent pas jouer avec l'appareil. Le nettoyage et l'entretien par l'utilisateur ne doivent pas être effectués par des enfants sans surveillance.
 - Aucune pièce de l'appareil électrique ne doit être placée près de l'eau pendant l'utilisation.
 - Veillez à ce que la prise d'alimentation de ce spa soit toujours à plus de 4 m du spa et à une hauteur minimale de 1,2 m.
 - Débranchez toujours le produit de la prise secteur avant déplacement, nettoyage, entretien, ou toute autre manipulation, et par temps de pluie.
 - N'enterrez pas le cordon d'alimentation. Positionnez le cordon d'alimentation dans un endroit où ne sera pas endommagé par les tondeuses, les taille-haies et les autres équipements.

⚠ AVERTISSEMENT

- Si le câble d'alimentation est endommagé, il doit être remplacé par le fabricant, son service après-vente ou des personnes de qualification similaire afin d'éviter un danger. L'appareil ne doit être réparé qu'avec des pièces de rechange identiques.
- **Veillez à ce que la fiche soit toujours sèche. Il est formellement interdit de brancher la fiche si elle est mouillée!**
- La fiche du spa doit être directement et exclusivement branchée à une prise électrique mise à la terre appartenant à une installation électrique fixe.
- Pour réduire les risques de choc électrique et feu, n'utilisez pas de rallonge électrique, de minuteurs, d'adaptateur de prise, ni de fiche électrique pour brancher l'appareil dans une prise électrique. Branchez-le dans une prise électrique dont l'emplacement est approprié.
- N'essayez pas de brancher ou de débrancher cet appareil quand vous êtes dans l'eau ou quand vos mains sont mouillées.
- Ne laissez pas le spa vide pendant longtemps. Ne pas exposer le Spa aux rayons directs du soleil pendant une longue période.
- Lorsque l'appareil n'est pas utilisé pendant un certain temps, saison hivernale par exemple, le spa doit être démonté et stocké en intérieur.
- Veillez à ce que l'eau contenue dans le spa ne gèle pas. Ne mettez pas le spa en marche quand l'eau qu'il contient est gelée.
- N'utilisez pas le spa s'il est livré endommagé et/ou s'il présente un dysfonctionnement. Contactez le service consommateur d'Intex pour connaître la démarche à suivre.
- N'utilisez jamais le spa seul et n'autorisez jamais une autre personne à l'utiliser seule.
- Ne versez jamais directement dans le spa de l'eau dont la température est supérieure à 40°C (104°F).
- Veillez à ce que tous les animaux de compagnie restent éloignés du spa pour éviter qu'ils ne le détériorent.
- N'ajoutez pas d'huile de bain ni de sel de bain à l'eau du spa.
- Le spa doit être installé sur un sol de niveau, plat, lisse et suffisamment solide pour supporter la charge maximum du spa rempli avec 4 adultes : 1136 kg (2500 lbs); 6 adultes : 1592 kg (3500 lbs); 8 adultes : 1999 kg (4400 lbs).
- Prévoyez un système de drainage adéquat autour du spa pour évacuer les éclaboussures et l'eau débordant du spa.
- Pour des raisons de sécurité, utilisez exclusivement les accessoires fournis par le fabricant du spa.
- Ne pas utiliser pour un usage public/commercial et/ou dans les installations résidentielles locatives domestiques.
- Pour connaître toutes les instructions d'installation, de nettoyage et d'entretien de l'appareil, consultez les paragraphes ci-après de la notice.

Lisez et suivez attentivement toutes ces instructions avant d'installer et d'utiliser ce produit. Ces avertissements, instructions et consignes de sécurité représentent des risques connus des loisirs d'eau, mais ils ne peuvent en aucun cas couvrir tous les cas. Soyez toujours prudent, utilisez votre bon sens et jugement lors d'activités d'eau. Conserver pour consultation future.

Sécurité des non nageurs

- Une surveillance continue, active et efficace des nageurs débutants et des non nageurs par un adulte compétent est nécessaire en permanence. (rappelez vous que les enfants de moins de 5 ans représentent les plus gros risques de noyade).
- Désigner un adulte compétent pour surveiller le spa à chaque fois qu'il est utilisé.
- Lorsque le spa n'est pas utilisé ou sans surveillance, retirez tous les jouets du spa et de ses environs pour éviter d'attirer les enfants proche du spa.

Dispositifs de sécurité

- Une couverture de sécurité ou un autre dispositif de protection de sécurité doit être utilisé, ou toutes les portes et fenêtres (si applicable) doivent être sécurisées pour empêcher l'accès non autorisé au spa.

⚠ AVERTISSEMENT

- Barrières, volets et bâches, alarmes de piscines ou dispositifs semblables de sécurité sont des aides utiles mais ils ne remplacent en aucun cas la surveillance continue et compétente d'un adulte.

Equipement de sécurité

- Ayez un téléphone en fonctionnement et une liste de numéros d'urgence à proximité de la spa.

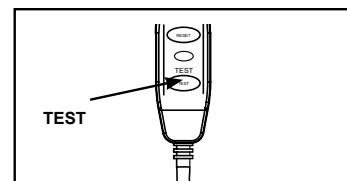
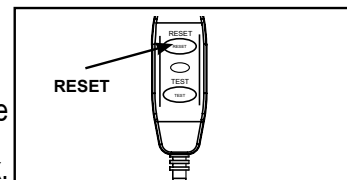
Utilisation sécuritaire de la spa

- Encouragez tous les utilisateurs à apprendre à nager, spécialement les enfants.
- Apprenez les gestes de base de réanimation (réanimation cardio respiratoire) et mettez à jour vos connaissances suppression de l'espace sances régulièrement. Ce geste peut permettre de sauver une vie.
- Expliquez à tous les utilisateurs du spa, y compris les enfants, que faire en cas d'urgence.
- Ne jamais plonger en eau peu profonde. Cela pourrait causer des blessures graves ou même la mort.
- Ne pas utiliser le spa sous l'emprise d'alcool ou de médicaments qui peuvent altérer votre capacité à utiliser votre spa en toute sécurité.
- Si vous utilisez des bâches de protection, les retirer complètement de la surface de l'eau avant de rentrer dans la spa.
- Protégez les utilisateurs du spa des maladies liées à l'eau en gardant votre spa traitée et en ayant une bonne hygiène. Consultez le guide de traitement de l'eau dans le manuel d'utilisation.
- Conservez les produits chimiques hors de la portée des enfants.
- Fixez le marquage de sécurité fourni sur le spa ou à moins de 2 m du spa dans une position visible et remarquable.

⚠ AVERTISSEMENT

- Ce produit est fourni avec un DDR à l'extrémité de son cordon d'alimentation. Le DDR doit être testé avant chaque utilisation. N'utilisez pas le spa si le DDR ne fonctionne pas correctement. Débranchez le cordon d'alimentation et laissez-le débranché tant que le problème n'a pas été identifié et corrigé. Contactez un électricien qualifié pour corriger le défaut. N'installez pas de dérivation du DDR. Aucune pièce interne du DDR n'est réparable. L'ouverture du DDR annule la garantie.

1. Branchez l'appareil dans une prise électrique de terre.
2. Appuyez sur la touche RESET du DDR.
3. Allumez l'équipement électrique du spa.
4. Appuyez sur la touche TEST du DDR. Le voyant du DDR doit s'éteindre et l'équipement électrique aussi. Si le voyant du DDR et l'équipement électrique ne s'éteignent pas, cela indique que le DDR est défectueux. N'utilisez pas le spa. Contactez un électricien qualifié pour corriger le défaut.
5. Appuyez sur la touche RESET du DDR. Le voyant du DDR doit s'allumer. Si le voyant du DDR ne s'allume pas, cela indique que le DDR est défectueux. N'utilisez pas le spa. Contactez immédiatement un électricien qualifié pour corriger le défaut.

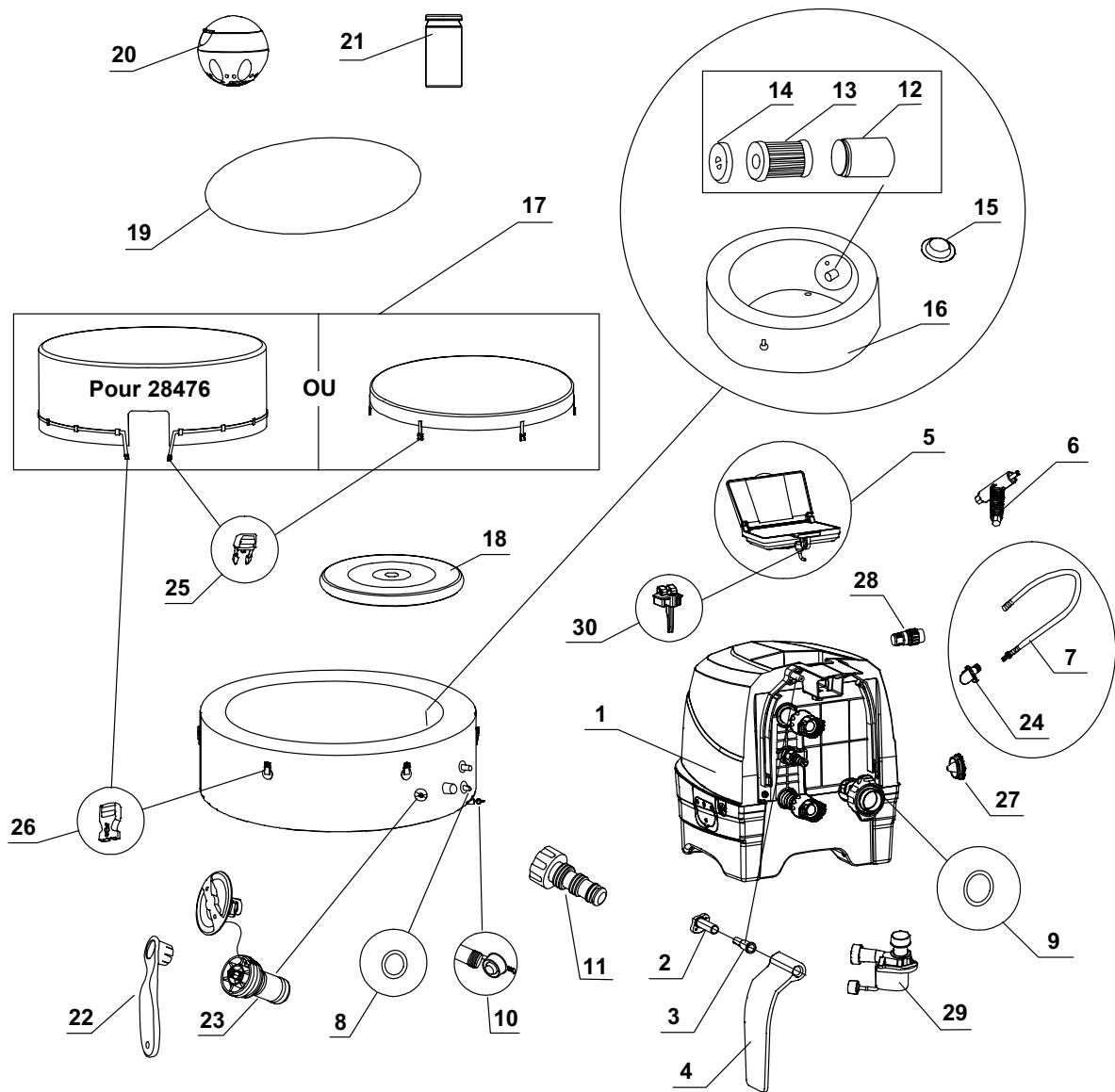


⚠ ATTENTION

- Pour éviter un danger dû au réarmement intempestif du coupe-circuit thermique, cet appareil ne doit pas être alimenté via un système d'interrupteur externe, par exemple une minuterie, ni être connecté à un circuit régulièrement mis sous tension et hors tension par le fournisseur d'électricité.
- Traitez l'eau conformément aux instructions du fabricant.

DETAIL DES PIECES

Avant d'installer votre produit, prenez quelques instants pour vérifier son contenu et vous familiariser avec chaque pièces détachées.



NOTE : Ce croquis est une simple représentation du produit. Il n'est pas à l'échelle réelle.

DETAIL DES PIECES (suite)

Avant d'installer votre produit, prenez quelques instants pour vérifier son contenu et vous familiariser avec chaque pièces détachées.

N°	DÉSIGNATION	QUANTITÉ	RÉFÉRENCE PIÈCE DÉTACHÉE					
			4 ADULTES			6 ADULTES		8 ADULTES
			28426	28430	28476	28428	28432	28412
1	UNITÉ DE CONTRÔLE	1	12836	12836B	12836	12836	12836B	12836
2	EMBASE DE LA CHARNIÈRE	2	12771D	12771D	12771D	12771D	12771D	12771D
3	GOND DE LA CHARNIER	2	12772D	12772D	12772D	12772D	12772D	12772D
4	CAPOT LATERAL	2	12770W	12770B	12770W	12770W	12770B	12770W
5	PANNEAU DE CONTRÔLE	1	12840	12840B	12840	12840	12840B	12840
6	CLÉ À VIS DU PANNEAU DE CONTRÔLE	1	11053	11053	11053	11053	11053	11053
7	TUYAU DE GONFLAGE DU SPA/COUVERTURE	1	11830	11830	11830	11830	11830	11830
8	JOINT TORIQUE D'ASPIRATION/REFOULEMENT	2	11699	11699	11699	11699	11699	11699
9	JOINT TORIQUE D'ENTRÉE D'AIR	1	11687	11687	11687	11687	11687	11687
10	BOUCHON DE VIDANGE DU SPA	1	11995	11995	11995	11995	11995	11995
11	ADAPTATEUR DE VANNE DE VIDANGE DU SPA	1	13036	13036	13036	13036	13036	13036
12	BOÎTIER DE CARTOUCHE	1	11798	11798	11798	11798	11798	11798
13	CARTOUCHE	2	11692	11692	11692	11692	11692	11692
14	COUVERCLE DU BOÎTIER DE FILTRE	1	11797	11797	11797	11797	11797	11797
15	BOUCHON D'ENTRÉE/SORTIE	3	11739	11739	11739	11739	11739	11739
16	CUVE DU SPA	1	11842	12260	11842	12106	12258	12957
17	COUVERTURE DU SPA	1	11841	12261	12752	12107	12256	12958
18	PARTIE GONFLABLE DE LA COUVERTURE DU SPA (PRÉINSTALLÉE SUR LA COUVERTURE DU SPA)	1	11689	11689	12753	12108	12108	12959
19	TAPIS DE SOL	1	11717	11717	11717	12109	12109	12960
20	DIFFUSEUR FLOTTANT	1	12735	12735	12735	12735	12735	12735
21	LANGUETTES DE TEST	1	11855	11855	11855	11855	11855	11855
22	CLÉ	1	11742	11742	11742	11742	11742	11742
23	VALVE DE SURPRESSION	1	12589	12589B	12589	12589	12589B	12589
24	ADAPTATEUR DE TUYAU (PRÉINSTALLÉ AVEC LA PIÈCE NO 7)	1	12773	12773	12773	12773	12773	12773
25	BOUCLE MALE	6	11698	11698B	-	11698	11698B	11698
		1	-	-	11698	-	-	-
26	BOUCLE FEMELLE	6	11799	11799B	-	11799	11799B	11799
		1	-	-	11799	-	-	-
27	BOUCHON (DEGONFLAGE)	1	12775W	12775B	12775W	12775W	12775B	12775W
28	ADAPTATEUR DE TUYAU (DEGONFLAGE)	1	12774	12774	12774	12774	12774	12774
29	POMPE DE FILTRATION	1	12778	12778	12778	12778	12778	12778
30	SUPPORT DE FIXATION DU PANNEAU	1	10064	10064B	10064	10064	10064B	10064

Pour vos commandes de pièces, indiquer bien le modèle du produit et la référence de la pièce.

INFORMATIONS TECHNIQUES

Tension / Fréquence / Phase:	220 - 240 V / 50 Hz / 1 PH		
Nombre maximal de places:	4 adultes	6 adultes	8 adultes
Capacité d'eau:	210 Gallons (795 Litres)	290 Gallons (1098 Litres)	354 Gallons (1340 Litres)
Diamètres intérieur/extérieur:	57/77 in (145/196 cm)	65/85 in (165/216 cm)	73/93 in (185/236 cm)
Hauteur:	28 in (71 cm)		
Blower:	800 W		
Débit de la pompe de filtration:	460 Gallons/heure (1,741 Litres/heure)		
Puissance de chauffage:	2,200 W		
Plage de températures:	20°C – 40°C (68°F – 104°F)		
Vitesse de chauffage:	1.5-2.5°C/h (3°F – 4.5°F/h)	1-2°C/h (2°F – 3.5°F/h)	0.8-1.5°C/h (1.5°F – 3°F/h)
Nombre de jets d'air Bubble Jets:	120 (28426 / 28476) 140 (28430)	140 (28428) 170 (28432)	170
Pression d'air recommandée d'utilisation de la cuve du spa:	0.083 bar (1.2 psi)		

Spa hors sol, gonflable, portable et alimenté par câble avec pompe, chaufferie, souffleur, panneau de commandes et traitement des eaux dures intégré.

NOTE : Le spa comporte un système de mise à la terre complet qui est également en contact avec l'eau du spa. Il est possible qu'une personne accumule de l'électricité statique et que celle-ci se décharge au contact de l'eau. Quoi qu'il en soit, en cas de choc électrique, le spa doit impérativement être examiné par un électricien qualifié avant d'être utilisé. Débranchez le spa jusqu'à ce que la cause soit déterminée et qu'une mesure corrective soit mise en œuvre.

⚠ AVERTISSEMENT

Risque d'incendie : Cet appareil requiert une puissance de 13 A minimum. La plupart des logements ont un circuit électrique de 13 à 16 A. Si le disjoncteur se déclenche, cela peut être dû au fait que d'autres appareils (notamment des appareils à forte consommation) utilisent le même circuit que le spa. N'utilisez pas de rallonge électrique. Déroulez le cordon d'alimentation avant utilisation. Ne jamais placer la fiche sur des matériaux combustibles.

INSTRUCTIONS DE MONTAGE

Exigences et préparation du site

- Le spa peut être installé en intérieur ou en extérieur. Pour une utilisation d'intérieur.
- Vérifiez que la zone sous et autour du spa est résistante à l'eau, horizontale, plane et exempte d'objets coupants.
- Prévoyez une prise électrique de terre correctement positionnée et d'indice de protection IPX4 ou supérieur dans laquelle brancher le spa et veillez à ce qu'elle reste facile d'accès pour pouvoir tester régulièrement le DDR installé sur le câble d'alimentation.
- Prévoyez un espace vide suffisant autour du spa pour permettre l'accès aisé aux équipements du spa et faciliter son entretien et/ou sa réparation.
- La zone doit permettre un bon drainage pendant le stockage prolongé du spa. Consultez les réglementations locales et nationales comportant des exigences relatives au rejet de l'eau des spas.
- Pour réduire les nuisances sonores, n'installez pas le spa à proximité immédiate de murs verticaux.
- La zone doit être à portée d'une alimentation en eau douce conforme aux réglementations locales de l'eau et dont les paramètres doivent être adaptés selon les conditions chimiques du spa et les instructions concernant l'équilibre chimique fournies dans cette notice avant la première utilisation du spa.
- Consultez la législation et les réglementations locales concernant l'installation des spas en intérieur et/ou en extérieur.

Exigences complémentaires pour l'installation en intérieur

- Veillez à ce que le sol puisse supporter le poids total du spa plein avec son nombre maximal d'occupants. Consultez un entrepreneur ou un ingénieur structure qualifié pour vérifier que cette exigence est remplie.
- Veillez à ce que le sol soit résistant à l'eau et antidérapant. N'installez pas le spa sur de la moquette ni aucun autre matériau pouvant être endommagé par l'humidité et la condensation.
- N'installez pas le spa en intérieur au deuxième étage au-dessus d'un espace de vie à cause de la possibilité de dommages dus à l'eau et à l'humidité.

INSTRUCTIONS DE MONTAGE (suite)

- De l'humidité est naturellement produite lors de l'utilisation d'un spa installé en intérieur. La pièce doit être correctement ventilée pour permettre à l'humidité de s'échapper. Installez un système de ventilation pour éviter que de l'humidité et de la condensation ne s'accumulent dans la pièce.

Exigences complémentaires pour l'installation en extérieur

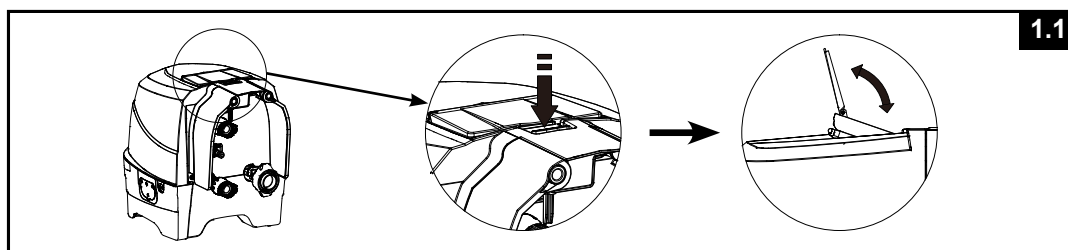
- Les propriétaires de spa doivent respecter les lois locales et fédérales concernant les barrières de sécurité, l'éclairage, les dispositifs empêchant l'accès aux enfants et les autres équipements de sécurité. Pour plus de détails, contactez l'agence locale chargée de l'application du code de la construction.
- Veillez à ce que la surface soit plane, horizontale, lisse et suffisamment solide pour supporter le poids total du spa rempli.
- N'installez pas le spa sur de l'herbe ou de la terre, car cela accroît la quantité de débris rentrant dans le spa et détériore le fond du spa.
- N'exposez pas le système à la lumière directe du soleil pendant longtemps. Installez une protection contre le soleil, par exemple une toile d'ombrage, une tente, un auvent ou une tonnelle.**
- Il est possible d'installer et de laisser le spa à l'extérieur à une température minimale de 4°C (39°F) si la température intérieure du spa est supérieure à 4°C (39°F) et que l'eau présente dans le système de circulation, la pompe et les tuyaux n'est pas gelée. Placez un tapis isolant entre le fond du spa et le sol pour limiter la déperdition de chaleur par le fond du spa et renforcer la conservation de la chaleur. N'utilisez pas le spa si la température ambiante ou si la température de l'eau sont inférieures ou égales à 4°C.

Installez le spa à 2 personnes au minimum

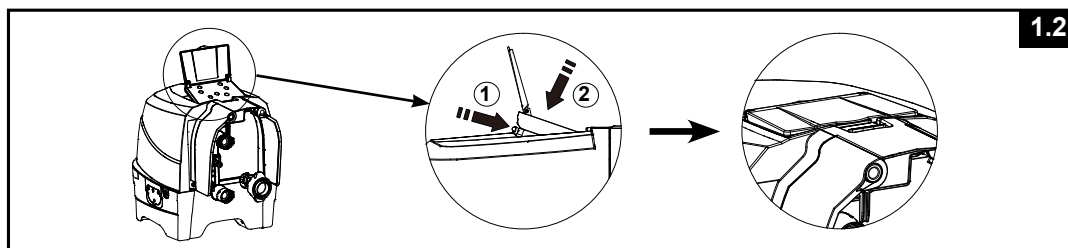
- Transportez toutes les pièces sur l'emplacement d'installation sélectionné. Ne traînez pas la cuve du spa sur le sol, car cela peut la détériorer et provoquer des fuites. Ouvrez le carton d'emballage en veillant à ne pas l'abîmer, car il peut servir pour stocker le spa quand il n'est pas utilisé ou s'il est stocké pendant longtemps.
- Posez toutes les pièces sur le sol et vérifiez qu'il n'en manque aucune. En cas de pièces manquantes ou endommagées, contactez le service consommateur approprié parmi ceux listés sur le document « Services Consommateur agréés » ci-joint.

Réglage du panneau de contrôle du jacuzzi

- Enfoncez le bouton pour incliner le panneau de contrôle et ouvrez son couvercle (voir dessin 1.1).



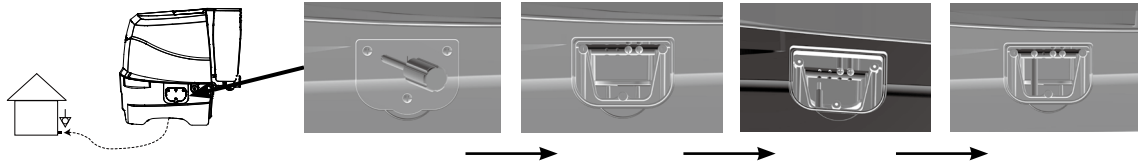
- Pour ranger le panneau de contrôle, enfoncez le bouton situé à l'arrière du panneau tout en repliant ce dernier (voir dessin 1.2).



INSTRUCTIONS DE MONTAGE (suite)

Option système de liaison équipotentielle

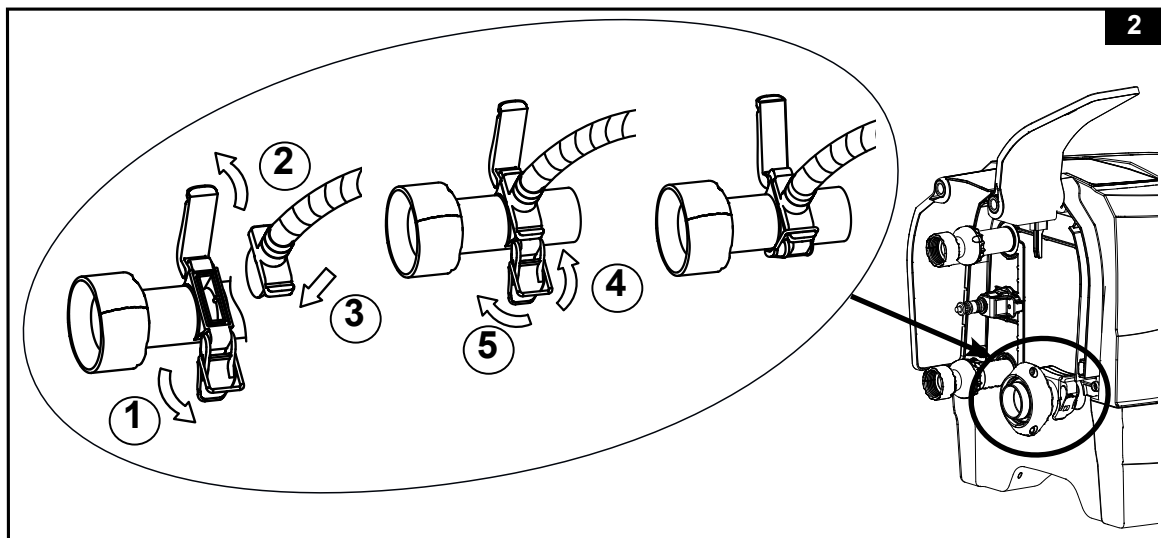
Selon la règle nationale et la réglementation, demandez à un électricien qualifié de connecter la borne équipotentielle du spa avec un conducteur (fil électrique) ayant une surface de section transversale nominale de 2,5mm² à 6mm² à la borne équipotentielle de la maison (Fil électrique non inclus).



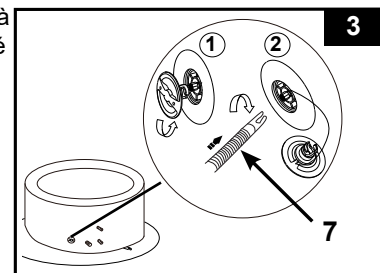
GONFLAGE

Gonfler le spa


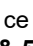
- Sortez le tapis de sol (19) et étalez-le sur une zone libre. Puis étalez le liner du spa sur le tapis de sol et positionnez la vanne de vidange vers une zone de vidange appropriée.
REMARQUE : Déplier le tapis de sol sur la zone propre d'installation prévue, les bulles contre le sol.
- Relevez le capot latéral (4) pour accéder à la sortie de gonflage. Poussez le levier vers le bas pour ouvrir le couvercle, insérez l'embout du tuyau (24) relié au tuyau et remettez le levier en place sur l'embout du tuyau pour l'immobiliser (voir dessin 2).



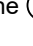
- Dévissez le capuchon de la valve de gonflage du spa pour accéder à la soupape (position haute pour le gonflage). Insérez l'autre extrémité du tuyau de gonflage (7) sur la vanne et tournez-la vers la droite pour la verrouiller (voir dessin 3).

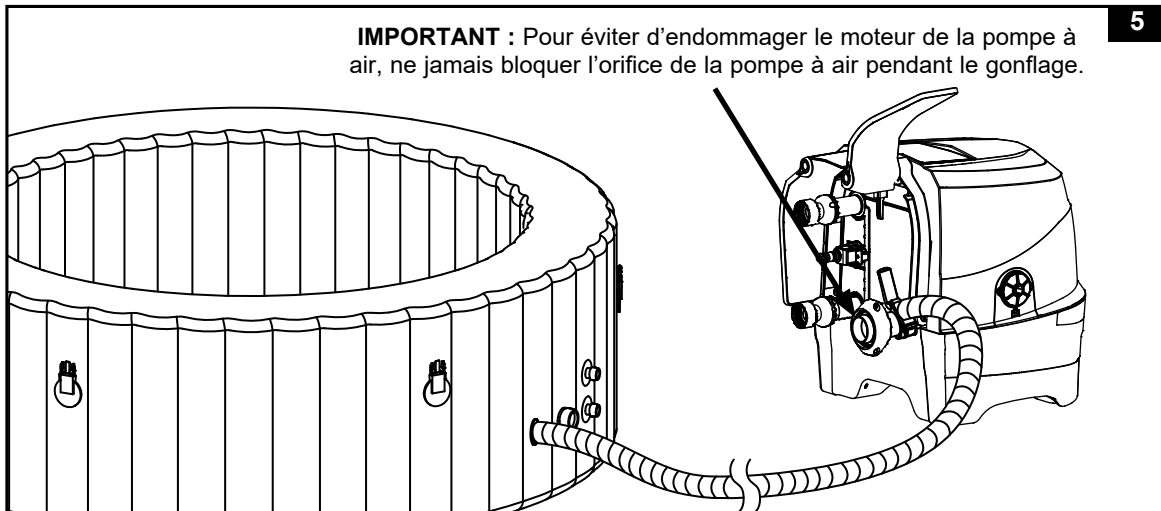
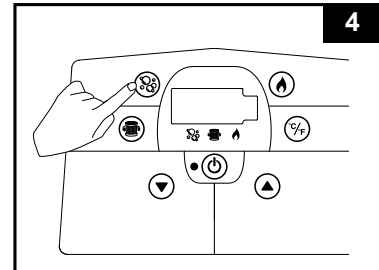


INSTRUCTIONS DE MONTAGE (suite)

4. Appuyez d'abord sur le bouton  pour activer les commandes de la tablette. Appuyez sur le bouton  pour gonfler les parois du spa pendant 8 à 10 minutes jusqu'à ce qu'elles soient fermes au toucher sans être dures (**voir dessin 4 & 5**).

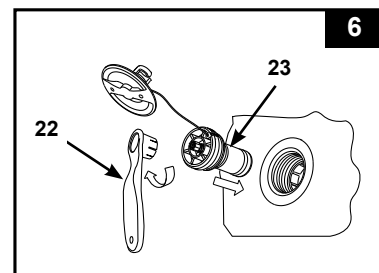
IMPORTANT : Ne surgonflez pas le produit et n'utilisez pas de compresseur haute pression pour le gonfler.

5. Appuyez à nouveau sur la touche  pour l'éteindre.

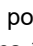


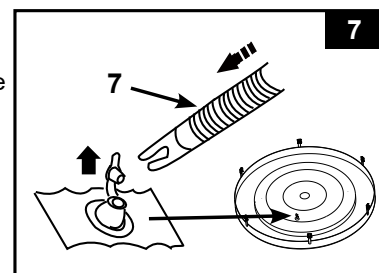
6. Refermez le bouchon de la valve.
Le bouchon est conçu pour être vissé et dévissé. N'exercez jamais une force excessive, car cela pourrait désolidariser le bloc de gonflage interne de la valve. Reportez-vous au sous-chapitre « Fixation de la vanne d'air de la cuve du spa » pour savoir comment l'entretenir.

REMARQUE : S'il est nécessaire de remplacer la valve de surpression (23), utilisez la clé incluse (22) pour la dévisser. Insérez le nouvel embout de valve et serrez-le à l'aide de la clé. Assurez-vous que la valve soit bien serrée (**voir dessin 6**).



Gonfler la partie gonflable de la couverture du spa

- Ouvrez la vanne de gonflage, puis insérez le tuyau de gonflage (7) dans la vanne. Appuyez sur  pour gonfler la couverture jusqu'à ce qu'elle soit ferme au toucher sans être dure (**voir dessin 7**).
- Défaites le tuyau de gonflage (7) de la sortie de gonflage du blower et de la vanne.
- Remplacez le bouchon de gonflage; fermez et rebouchez la valve de gonflage.



REMARQUE : S'il est nécessaire de gonfler davantage le spa ou la couverture du spa après leur installation, reportez-vous aux sous-chapitres « Gonfler le spa » et « Gonfler la couverture du spa ». La partie gonflable du couvercle est préinstallée à l'intérieur du couvercle. Si besoin de la réinstaller, placez la partie dégonflée dans la couverture avant de commencer le gonflage.

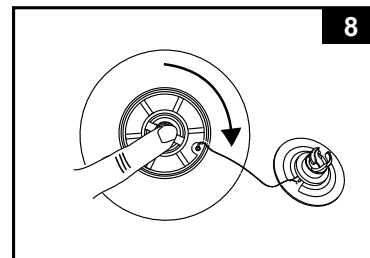
INSTRUCTIONS DE MONTAGE (suite)

DÉGONFLAGE

Dégonfler le spa :

1. Dévissez le bouchon pour accéder à la tige, puis poussez la tige vers l'intérieur et tournez-la de 90° vers la droite pour la verrouiller en position rentrée. (voir dessin 8).
2. Une fois le spa entièrement dégonflée, appuyez la tige vers l'intérieur et tournez-la de 90° vers la gauche pour la remettre dans la position de gonflage.
3. Refermez le bouchon.

NOTE : Pour dégonfler la structure du spa avant de le ranger, consultez le chapitre « Rangement ».



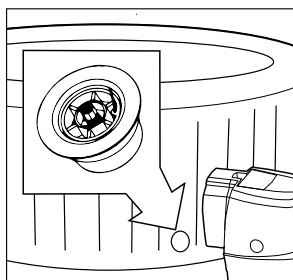
Dégonfler la partie gonflable de la couverture :

1. Retirez le bouchon de la vanne, puis pincez la base de la vanne jusqu'à ce que la couverture soit dégonflée.
2. Refermez et réinsérez la vanne.

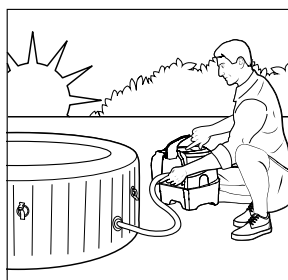


IMPORTANT

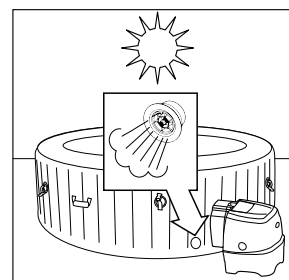
Votre spa est fourni avec la nouvelle « valve de décharge de la pression d'air » qui libère automatiquement l'air en excès quand la pression interne du spa est comprise entre 1,5 et 2,5 psi (0,103 et 0,172 bar) tout en conservant les fonctions de gonflage et dégonflage d'origine.



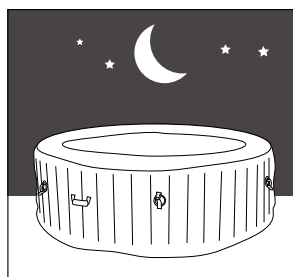
Valve de surpression.



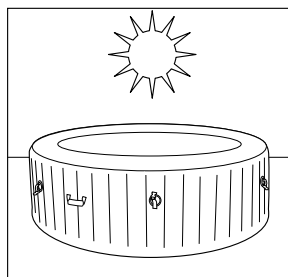
Gonflage du spa dans la matinée.



La pression d'air augmente dans la structure du spa avec la chaleur de mi-journée. La valve de surpression s'enclenche et libère l'excès d'air.

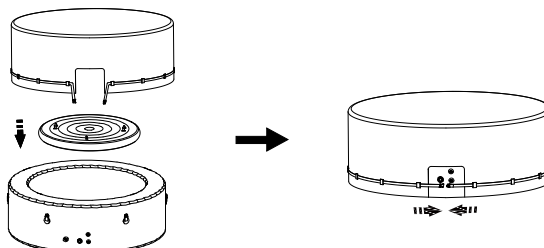


La baisse de température durant la nuit va réduire la pression d'air dans la structure du spa lui donnant un aspect moins gonflée.



L'air se dilate à nouveau à la mi-journée et la pression de référence est alors rétablie.

Pour #28476:



REMARQUE : Si la couverture gonflable du spa ne s'insère pas dans la cuve du spa parce qu'elle est trop gonflée, dégonfliez-la légèrement jusqu'à ce qu'elle puisse être insérée.

INSTRUCTIONS DE MONTAGE (suite)

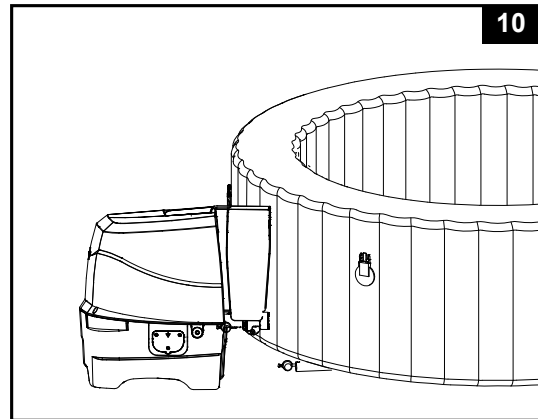
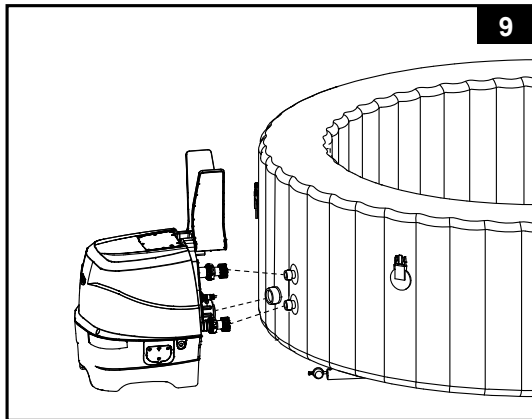
Installer l'unité de contrôle du spa

1. Raccordez l'unité de contrôle du spa (voir dessin 9). Serrez les raccords à la main. N'utilisez pas d'outil pour les serrer.

REMARQUE : N'attachez jamais d'accessoires externes non fournis avec le kit au jacuzzi ou à la pompe, car cela annulera la garantie.

2. Rabaissez les ailerons de la pompe (4) (voir dessin 10).

ATTENTION : Ne vous asseyez pas, ne vous allongez pas et ne placez aucun objet sur l'unité de contrôle du spa.



3. Insérez le boîtier de filtre sur la buse d'aspiration de la cuve du spa (position inférieure) (voir dessin 11). Gonflez le Spa avant d'installer les raccords de la filtration.



4. Avant de remplir le spa avec de l'eau, vérifiez que les bouchons de la vanne de vidange inférieure sont solidement fermés à l'intérieur et à l'extérieur du spa.

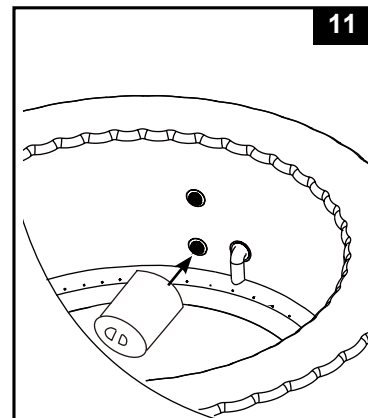
5. Remplissez le spa avec de l'eau douce jusqu'à un niveau compris entre les marques MIN et MAX présentées sur l'intérieur de la paroi de la cuve. Ne remplissez pas excessivement le spa. Ne jamais déplacer le spa avec de l'eau à l'intérieur et/ou avec l'unité de contrôle fixée, vous risqueriez d'endommager la base.

AVERTISSEMENT : Ne versez jamais directement dans le spa de l'eau dont la température est supérieure à 40°C (104°F). Il est recommandé de remplir le spa avec de l'eau tiède pour accélérer le chauffage de l'eau et économiser l'énergie.

6. Placez la couverture et sa partie gonflable (préinstallé dessus) sur le spa. Après avoir serré les sangles des boucles, fixez les boucles de la couverture avec la clé fournie.

IMPORTANT : Inspectez régulièrement la couverture du spa pour détecter d'éventuelles fuites, usures prématurées, détériorations. N'utilisez jamais une couverture de spa endommagée.

7. Assurez-vous que la base du spa est branchée à une prise électrique appropriée et correctement située, puis appuyez sur le bouton  pour allumer le panneau de contrôle. Appuyez sur le bouton  de la tablette pour activer le chauffage, voir la section «Tablette de commande du Spa ».



Couverture du spa

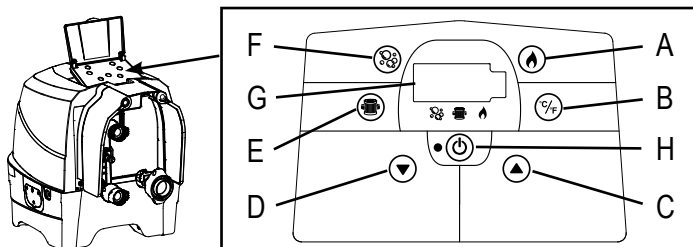
Notez que les boucles de fixation du couvercle sont des boucles qui se verrouillent. Deux clés sont prévues à cet effet dans le sac en plastique avec le manuel et les différents accessoires. Sur chaque boucle on trouve les mots "locked" et "unlocked". Il suffit de mettre la clé dans la fente et de la tourner dans la position adéquate.

Pour assurer la sécurité, il faut toujours mettre le couvercle lorsque le spa n'est pas utilisé et verrouiller les boucles, et toujours garder les clés hors de portée des enfants. Si vous perdez les clés, vous pouvez utiliser n'importe quel tournevis plat de taille similaire pour verrouiller ou déverrouiller les boucles.

Pendant l'utilisation du spa, la couverture doit être placée dans un endroit propre et sec, sinon elle peut être contaminée par des saletés et des bactéries. Les couvertures ne doivent pas être placées sur des tables en bois ou des sols en bois, car cela peut provoquer la décoloration du bois. Il est recommandé d'utiliser un système d'élévation de la couverture, un support dédié ou un dispositif similaire pour garantir que la couverture, notamment son côté faisant face à l'eau, n'entre pas en contact avec le sol ni avec aucune autre surface sale.

INSTRUCTIONS D'UTILISATION

PANNEAU DE CONTRÔLE DU SPA



- A: Touche de chauffage
- B: Commutateur Celsius/Fahrenheit
- C: Touche Monter la température
- D: Touche Baisser la température
- E: Touche de filtration de l'eau
- F: Touche Bulles
- G: Afficheur LED
- H: Touche Marche/Arrêt



Touche Marche/Arrêt : Une fois que l'unité est branchée, utilisez ce bouton pour activer les boutons du panneau de contrôle. Le voyant à côté du bouton devient vert quand l'unité est activée. Appuyez sur ce bouton pour arrêter toutes les fonctions actives.

REMARQUE : Le bouton On/Off peut s'apparenter à un bouton noir au centre du panneau de contrôle.



Touche de chauffage : Utiliser cette touche pour activer le système de chauffage. La pompe chauffe l'eau du spa jusqu'à ce que sa température atteigne la température réglée. Lorsque la température de l'eau du spa baisse de 1 à 2°C (1,8 à 3,6°F) en dessous de la température réglée, le système de chauffage redémarre. Lorsque le témoin au-dessus de la touche de chauffe passe au rouge, le système de chauffe est activé. Lorsque l'icône de la flamme s'allume en vert, l'eau a atteint la température réglée. Le système de chauffage est au repos et le système de filtration continue à fonctionner sans interruption.

REMARQUE : Pour arrêter le système de filtration lorsque le chauffage est en mode repos, appuyez tout d'abord puis sur le bouton de la flamme puis sur le bouton du filtre. Appuyer seulement sur le bouton de la flamme lorsque le chauffage est en mode repos éteindra le système de chauffage seulement et le système de filtration continuera à fonctionner pendant 24 heures avant de s'éteindre automatiquement.

IMPORTANT : Les facteurs suivants ralentissent considérablement le chauffage de l'eau.

- La température ambiante est inférieure à 10°C (50°F).
- La vitesse du vent à l'extérieur est supérieure à 3,5~5,4 m/s (8~12 mph).
- Le système de bulles d'air est allumé pendant le chauffage de l'eau.
- Le spa n'est pas correctement recouvert avec la couverture de spa pendant le chauffage de l'eau.



Commutateur Celsius/Fahrenheit :

La température peut être affichée aussi bien en Fahrenheit qu'en Celsius. Le système par défaut est programmé en Celsius.

REMARQUE : La température programmée par défaut est de 20°C (68°F). Elle peut être réglée de 20°C (68°F) à 40°C (104°F).



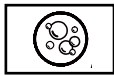
Touches de réglage de la température : Les témoins clignotent lorsque l'on appuie sur la touche d'augmentation ou de diminution de la température. Lorsqu'elles clignotent, vous pouvez saisir la température désirée. Si vous maintenez ces touches enfoncées, les valeurs augmenteront ou diminueront rapidement. La nouvelle température restera affichée pendant 5 secondes avant d'être confirmée.



Touche de filtration de l'eau :

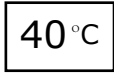
Cette touche permet de démarrer et d'éteindre la filtration. Lorsque le système de chauffe est activé, le système de filtration démarre automatiquement – c'est normal.

Le voyant au-dessus de la touche Filter l'eau s'allume en vert quand cette fonction est activée.



Touche Bulles : Utilisez cette touche pour activer la soufflerie (blower). Ce système s'éteint automatiquement après 30 minutes de fonctionnement. Le voyant au-dessus de la touche Bulles s'allume en vert quand cette fonction est activée.

ATTENTION : N'allumez pas le système de massage à bulles quand la couverture est placée sur le spa, car de l'air risquerait de s'accumuler et de provoquer des dommages matériels irréparables et des blessures corporelles.




Afficheur LED : Une fois allumé, le panneau affiche automatiquement la température en cours de l'eau.

REMARQUE : Le système anti-calcaire intégré fonctionne automatiquement en liaison avec le système de filtration.

⚠ AVERTISSEMENT

N'utilisez JAMAIS le spa si la température de l'eau indiquée est supérieure à 40°C (104°F).

CODES D’AFFICHAGE

CODE À L’ÉCRAN	VÉRIFICATIONS	SOLUTIONS POSSIBLES
E90	L'eau ne s'écoule pas	<ul style="list-style-type: none"> • Arrêtez et débranchez l'unité de contrôle. • Vérifiez que la buse de refoulement est propre et n'est pas bouchée. • Nettoyez ou remplacez le filtre (voir les chapitres sur l'entretien et le stockage). • Vérifiez que les raccords d'aspiration et de refoulement du spa et de la filtration ne sont pas bouchés. • Gardez l'eau du spa correctement filtrée afin d'assurer que la cartouche du filtre à air reste propre et non obstruée. • Contactez le Service Après Vente Intex.
E94	Température de l'eau trop basse	<ul style="list-style-type: none"> • Si la température ambiante est inférieure à 4°C (39°F), nous vous conseillons de ne pas utiliser le spa ou la pompe. • Arrêtez et débranchez l'unité de contrôle, ajoutez un peu d'eau chaude pour augmenter la température de l'eau du spa au-dessus de 5°C (41°F), puis appuyez sur le bouton  pour chauffer l'eau à la température souhaitée. • Contactez le Service Après Vente Intex.
E95	Température de l'eau trop élevée	<ul style="list-style-type: none"> • Arrêtez et débranchez l'unité de contrôle. Quand l'eau a refroidi, redémarrez tout. • Éteignez le radiateur, puis appuyez sur les boutons du filtre et des bulles pour baisser la température de l'eau. • Contactez le service client Intex.
E96	Erreur système	<ul style="list-style-type: none"> • Arrêtez et débranchez l'unité de contrôle. Branchez le RCD et redémarrez de nouveau. • Contactez le service client Intex.
E97	Protection anti-marche à sec	<ul style="list-style-type: none"> • Contactez le service client Intex.
E99	Le capteur de température d'eau est cassé	<ul style="list-style-type: none"> • Contactez le service client Intex.
END	Après 72 heures de fonctionnement continu de chauffage, la pompe sera mise en veille prolongée automatiquement. Les fonctions rapides de chauffage et de filtration de l'eau seront désactivées.	<ul style="list-style-type: none"> • Appuyez sur la touche Filtrer l'eau pour réactiver la pompe de filtrage.

CONSEILS POUR MINIMISER LES PERTES CALORIFIQUES ET LA CONSOMMATION D'ÉNERGIE

- 1) Laissez toujours la couverture du spa installée pour minimiser la déperdition de chaleur pendant la chauffe du spa entre les utilisations (mais pas pendant les utilisations). Vérifiez que la couverture est soigneusement installée conformément aux instructions du fabricant pour maximiser l'isolation. Il est recommandé que la couverture soit maintenue hors du sol quand elle n'est pas utilisée pour préserver sa propreté (notamment si la surface est proche de la surface d'eau du spa). La couverture doit être rangée dans un endroit approprié où elle ne risque pas d'être endommagée ou de provoquer des détériorations.
- 2) Vérifiez le réglage de la température de l'eau et pensez à l'abaisser pour les périodes où le spa ne sera généralement pas utilisé.
- 3) Selon les conditions externes, pensez à éteindre complètement le système de chauffage avant les périodes d'inutilisation prolongées du spa (si le spa offre cette option, mais maintient une désinfection résiduelle/valeurs de pH).
- 4) Prenez en compte le fait que la plage de température de confort pendant l'utilisation peut être inférieure à la température de sécurité maximale.
- 5) Utilisez le tapis de sol isolant sous le spa pour minimiser la déperdition calorifique par le fond du spa.
- 6) Veillez à maintenir les filtres propres pour préserver des conditions de fonctionnement appropriées pour la pompe et éviter des chauffes supplémentaires et des changements d'eau inutiles.

ENTRETIEN ET PRODUITS CHIMIQUES

⚠ ATTENTION

Débranchez toujours cet appareil de la prise électrique avant de l'enlever, de le nettoyer, de le réparer ou de le régler.

Assainissement de l'eau

Le propriétaire du spa doit régulièrement contrôler et maintenir l'hygiène de l'eau du spa (entretien régulier, quotidien si nécessaire). Ajouter du désinfectant et d'autres produits d'entretien permet de limiter la prolifération des bactéries et des virus présents dans l'eau du spa. Maintenir l'équilibre correct du spa en utilisant correctement des désinfectants est le facteur le plus important pour maximiser la durée de vie et l'aspect de la cuve, ainsi que pour garantir que l'eau est sûre, propre et saine. Il est important d'utiliser une technique appropriée pour tester et traiter l'eau du spa. Contactez une boutique spécialisée sur les piscines et les spas pour obtenir des conseils sur les procédures de test, les kits de test, les désinfectants et les autres produits d'entretien.

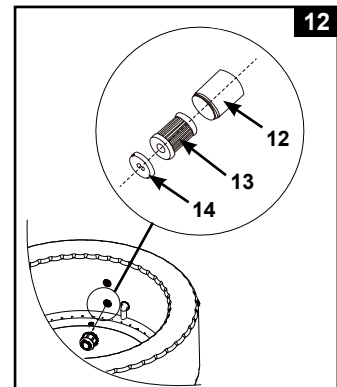
ATTENTION : SUIVEZ TOUJOURS LES INSTRUCTIONS DES FABRICANTS DE PRODUITS CHIMIQUES AINSI QUE LES AVERTISSEMENTS SUR LA SANTE ET SUR LES RISQUES LIES A L'UTILISATION DE TELS PRODUITS.

Ne versez pas de produits chimiques dans votre spa lorsqu'il est utilisé afin d'éviter tout risque d'irritation de la peau et des yeux. Les solutions chlorées concentrées peuvent détériorer le spa. En aucun cas, Intex Recreation Corp., Intex Development Co. Ltd., leurs sociétés liées, centres de service consommateur et agents agréés, distributeurs ou employés ne sauraient être responsables envers l'acheteur ou toute autre partie des coûts associés à la perte de l'eau du spa, aux détériorations dues à l'eau ou aux produits d'entretien.

Entretien de l'eau du spa et du filtre

Protégez tous les occupants du spa des maladies potentielles liées à l'eau en veillant à ce que l'eau du spa reste propre et saine. Ayez toujours une bonne hygiène. Pour garantir la bonne qualité de l'eau du spa, respectez les procédures suivantes :

1. Inspectez et nettoyez la cartouche chaque jour, et changez le filtre tous les 3 jours.
 - a. Dévissez le boîtier du filtre de la paroi de la cuve du spa et sortez le filtre (**voir dessin 12**).
 - b. Rincez la cartouche avec un tuyau d'arrosage. Si la cartouche reste sale et décoloré, elle doit être remplacée. Veillez à toujours avoir des cartouches de rechange à disposition.
 - c. Réinstallez la cartouche propre dans le boîtier, puis réinsérez le boîtier de cartouche dans la paroi de la cuve du spa.
2. Dans l'idéal, changez l'eau du spa toutes les 2 semaines. Reportez-vous aux sous-chapitres « Vidange du spa » et « Nettoyage du spa » pour plus de détails.
3. Utilisez des produits d'entretien pour que les propriétés physico-chimiques de l'eau restent appropriées. La détérioration du spa due à l'utilisation incorrecte de produits d'entretien et à la mauvaise gestion de l'eau du spa n'est pas couverte par la garantie.
4. Tous les occupants doivent se laver avant d'entrer dans le spa.



Équilibre chimique de l'eau

Veillez à maintenir le pH de l'eau du spa entre 6.8 et 7.6, l'alcalinité totale entre 60 et 120 ppm et le niveau de chlore libre entre 2 et 4 ppm. Utilisez les languettes de test fournies pour tester l'eau du spa avant chaque utilisation du spa et tester l'eau au minimum une fois par semaine.


Les bandes de test peuvent tester en même temps le chlore libre, le pH, l'alcalinité totale et la dureté de l'eau :

1. Trempez entièrement la languette dans l'eau et retirez-la immédiatement.
2. Maintenez la languette sans bouger pendant 15 secondes (ne la secouez pas pour enlever l'excès d'eau).
3. Comparez les indications du chlore pur, du pH et de l'alcalinité totale de la languette test avec le détail des couleurs qui se trouve sur l'emballage. Adaptez les paramètres chimiques de l'eau si nécessaire.

REMARQUE : Vérifiez la date d'expiration des kits de test, car les résultats d'un test peuvent être inexacts si le kit utilisé est périmé. Un pH faible provoquera la détérioration de la cuve et de la pompe. Les détériorations dues à un déséquilibre chimique ne sont pas couvertes par la garantie.

Utilisez le diffuseur flottant fourni pour diffuser le chlore [taille des pastilles de produit d'entretien : moins de 2,5 cm de diamètre] dans l'eau du spa. Ajoutez 1 tablette dans le diffuseur. Respectez toujours les instructions des fabricants des produits d'entretien. Retirez le diffuseur flottant de produit d'entretien avant d'utiliser le spa. Veillez à ce que du chlore non complètement dissous n'entre jamais en contact avec le spa.

Rincez toutes les conduites avec de l'eau traitée en activant la fonction bouillonnements pendant une heure par jour.

IMPORTANT : Appuyez sur la touche  du panneau de contrôle du spa pour allumer le blower et accélérer la dissolution des produits d'entretien dans l'eau.

Ne mélangez jamais plusieurs produits d'entretien. Ajoutez séparément les produits d'entretien dans l'eau du spa. Faites en sorte que chaque produit d'entretien se dissolve complètement avant d'en ajouter un autre à l'eau.

CHIMIE ET ÉQUILIBRE DE L'EAU DU SPA

Paramètre	Valeur ^a
Clarté de l'eau	Vision claire du fond
Alcalinité totale (TA) en mg/l	60 - 120
Dureté en calcaire (CaCO ₃) en mg/l	150 - 250
Couleur de l'eau	Aucune couleur ne doit être observée. ^{b, c}
Turbidité en NFU/NTU	max. 1.5 (De préférence inférieure à 0,5.)
Concentration en nitrates supérieure à celle de l'eau de remplissage en mg/l	Différence maximale de 20 par rapport à la concentration d'eau de remplissage.
Carbone organique total (COT) en mg/l ^d	max. 4.0
Potentiel d'oxydoréduction sur Ag/AgCl 3,5 m KCl en mV	min. 650
pH ^{e, f}	6.8 - 7.6
Chlore actif libre (sans acide cyanurique) en mg/l	0.3 - 1.5 ^g
Brome en mg/l	2.0 - 4.0 ^h

Lors de l'utilisation de désinfectants alternatifs, d'autres paramètres appropriés peuvent être considérés.

- a Consultez les réglementations et conseils nationaux pour les déviations.
 b Les sources d'eau naturelles peuvent introduire une coloration de l'eau.
 c Il est interdit de colorer intentionnellement l'eau.
 d Lors de l'utilisation de composés organiques, cette valeur peut être supérieure.
 e En fonction du(des) floculant(s) utilisés (si utilisé).
 f Quand le pH est supérieur à 7,5, le chlore actif libre est inférieur à 50 %.
 g La concentration de chlore libre généralement recommandée dans les installations aquatiques est de 0,3 à 1,5 mg/l. Néanmoins, pour garantir l'hygiène de l'eau des spas dans lesquels l'eau est chauffée et le rapport entre le volume d'eau et les usagers est faible, il est acceptable d'excéder temporairement cette concentration par un dosage manuel, à la condition que la santé des utilisateurs ne soit pas compromise. C'est pourquoi une plage de 2,0 à 4,0 mg/l est admise et recommandée par l'Agence de protection de l'environnement et le Centre de contrôle et de prévention des maladies des États-Unis. N'utilisez pas d'acide cyanurique.
 h Les dépassements temporaires dus à un dosage manuel et à un faible rapport entre le volume d'eau et les utilisateurs sont acceptables à la condition que la santé des utilisateurs ne soit pas compromise.

Une attention particulière doit être apportée aux traitements chimiques de l'eau, notamment en ce qui concerne les limites de désinfectant et le contrôle des valeurs du pH. L'utilisation d'ozone ou d'UV, si applicable, doit toujours être accompagnée par la désinfection résiduelle avec un biocide oxydant (par exemple du chlore, du brome ou d'autres produits biocides compatibles avec les recommandations du fabricant).

L'usage impropre de produits chimiques peut entraîner la dégradation, la détérioration et d'autres imperfections de la surface du spa et de ses autres composants (décoloration caractéristique des matières, corrosion des pièces métalliques).

Chlore libre : est le chlore résiduel présent dans l'eau du spa.

Effets si trop bas – niveau insuffisant de désinfection.

Effets si trop haut – Cause des problèmes d'odeur, irritations des yeux et de la peau, corrosion du métal et autres matériaux.

pH : Valeur indiquant si l'eau du spa est basique ou acide.

Effets si trop bas – Corrosion des métaux, irritations des yeux et de la peau, destruction de l'alcalinité totale.

Effets si trop haut – Formation de calcaire, eau trouble, filtration/chauffage plus courts, irritation des yeux et de la peau, efficacité réduite du chlore.

Alcalinité totale (TA) : Indique le degré de résistance de l'eau aux modifications de pH. Elle détermine la rapidité et la facilité des modifications de pH, par conséquent, vous devez toujours réviser le niveau de l'alcalinité totale avant celui du pH.

Effets si trop bas – Corrosion des métaux, irritations des yeux et de la peau. Un niveau bas d'alcalinité a comme effet un pH instable.

Effets si trop haut – Formation de calcaire, eau trouble, filtration/chauffage plus courts, irritation des yeux et de la peau, forte demande en chlore.

CHIMIE ET ÉQUILIBRE DE L'EAU DU SPA (suite)

Dureté en calcaire (CaCO₃) : Indique la quantité de calcaire et de magnésium dissous dans l'eau.
Effets si trop bas – Difficulté à équilibrer l'eau, corrosion des composants métalliques, irritation des yeux et de la peau, eau moussante.
Effets si trop haut – Formation de calcaire, eau trouble, irritation des yeux et de la peau, difficulté à équilibrer l'eau, efficacité réduite de la filtration et du chauffage de l'eau.

Indice de saturation (SI) : la température, la teneur en calcaire, l'alcalinité totale, et le pH sont les facteurs principaux de la formation du calcaire. La tendance de l'eau à favoriser soit la formation de calcaire, soit la corrosion est indiquée par l'index de saturation (SI) :

$$SI = pH + TF + CF + AF - 12.1$$

*Avec : TF = Facteur de température; CF = Facteur de dureté de l'eau; AF = Facteur alcalinité totale

Température de l'eau		TF	Dureté en calcaire (ppm)	CF	Alcalinité totale (ppm)	AF
(°C)	(°F)					
8	46	0.2	75	1.5	50	1.7
12	54	0.3	100	1.6	75	1.9
16	61	0.4	150	1.8	100	2.0
19	66	0.5	200	1.9	150	2.2
24	75	0.6	250	2.0	200	2.3
29	84	0.7	300	2.1	300	2.5
34	93	0.8	400	2.2	400	2.6
40	104	0.9	500	2.3	--	--

Testez le pH de l'eau, la température, la dureté de l'eau, et le niveau d'alcalinité. Utilisez les facteurs d'équivalence dans l'équation SI.

SI = 0, Equilibre

Si SI > 0, eau trouble et/ou tendant à précipiter des dépôts calcaire.

Si SI < 0, corrosif pour les métaux, condition irritante pour les yeux et la peau.

Le SI est considéré comme satisfaisant si la valeur se trouve entre -0.3 et 0.3.

Ajustement de l'eau du Spa

Comment ajuster la composition chimique de l'eau du Spa lorsque les valeurs sont en dehors de la plage.

ATTENTION : Suivez toujours les instructions du fabricant de produits chimiques, les mises en garde et les dangers.

Ajustement de l'alcalinité totale (TA)

Retirez le couvercle du spa pour aérer l'eau et utilisez les bandelettes de test incluses pour vérifier les propriétés de l'eau. Assurez-vous d'abord que le niveau de chlore dans l'eau est entre 2 et 4 ppm puisque le chlore aura une incidence sur le résultat du test TA.

Si le taux TAC (et non le pH) est supérieur à 120 ppm, ajoutez du produit chimique approprié pour abaisser le taux TAC.

Si le taux TAC (et non le pH) est inférieur à 60 ppm, ajoutez du produit chimique approprié pour accroître le taux TAC.

Note : Après ajustement, retestez l'eau après 24 heures et ajustez à nouveau si nécessaire.

Ajustement du pH

Une fois le taux d'alcalinité complet abaissé à 120 ppm ou augmenté à 80 ppm, si le pH est toujours trop haut ou trop bas, ajoutez du produit chimique approprié pour ajuster le pH entre 6,8 et 7,6.

Réglage de la dureté de l'eau

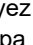
Utilisez les bandelettes de test incluses pour tester la dureté de l'eau et ajustez-la avec le produit chimique approprié.

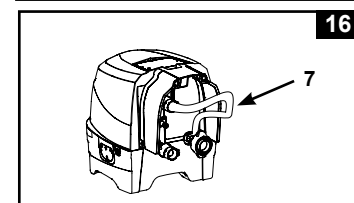
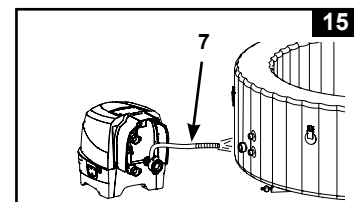
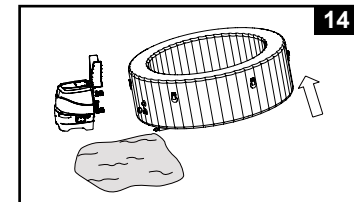
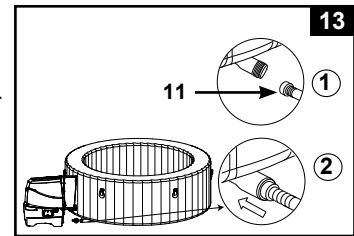
AVERTISSEMENT

Manipulez tous les produits chimiques avec précaution et portez des protections telles que des gants ou des lunettes. Il est primordial de ne pas éclabousser l'acide sur la peau, les vêtements ou les yeux.

ENTRETIEN

Vidange de la cuve du spa

1. Eteignez l'unité de contrôle du Spa.
2. Raccordez l'adaptateur de la vanne de drainage sur un tuyau d'arrosage et dirigez l'autre extrémité du tuyau sur une zone d'évacuation appropriée.
3. Retirez le bouchon de la vanne de vidange sur l'extérieur du spa, puis raccordez l'adaptateur de la vanne de drainage sur la vanne de drainage (voir dessin 13).
4. À l'intérieur du spa, retirez le bouchon de la vanne de vidange, l'eau commence à s'écouler par le tuyau d'arrosage.
5. Une fois que l'eau ne s'écoule plus, retirez l'unité de contrôle de la paroi de la cuve du spa. Soulevez la paroi de la cuve du spa du côté opposé à la vanne de vidange pour évacuer l'eau restante vers la vanne de vidange et vider complètement le spa (voir dessin 14).
6. Attachez le tuyau de gonflage (7) à la sortie du système de bulles à air de l'unité de contrôle.
7. Allumez le spa et appuyez sur le bouton , viser le tuyau de gonflage à l'entrée/sortie sur le spa et sur l'unité de contrôle pour sécher le restant d'eau dans les canalisations (voir dessins 15 & 16).
8. Avec un chiffon propre, essuyez l'eau restant dans le spa et sur l'unité de contrôle.
9. Vérifiez que le spa et l'unité de contrôle sont entièrement sèches.
REMARQUE : Les bouchons (15) fournis permettent de fermer les buses de refoulement et d'aspiration à l'intérieur du spa pour éviter que l'eau n'en sorte.



Nettoyage du spa

Si des saletés sont visibles dans l'eau ou si l'eau commence à devenir trouble et que son traitement correct ne permet pas de la rendre limpide, changez l'eau et nettoyez le spa. Reportez-vous au sous-chapitre « Vidange du spa » pour savoir comment la vider.

Quand le spa est vide, retirez le boîtier de cartouche de l'intérieur de la paroi du spa, puis nettoyez et/ou changez la cartouche. Avec une éponge et un savon doux, essuyez l'intérieur du spa pour en éliminer les salissures et les taches. Rincez soigneusement le spa avant de la remplir à nouveau avec de l'eau propre.

IMPORTANT : N'utilisez pas de laine d'acier, de brosse dure, ni de produit nettoyant abrasif.

Retrait du biofilm

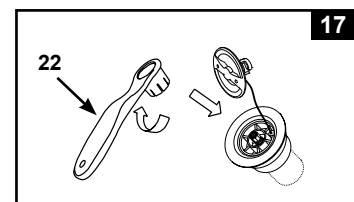
Contactez un professionnel local spécialiste des spas pour obtenir des conseils et des produits de retrait du biofilm.

Fixation de la valve du spa

Vérifiez que la vanne d'air du spa ne fuit pas et est correctement serrée avant d'utiliser le spa. Si de l'air fuit de la valve, serrez la valve avec la clé fournie (22) en procédant comme suit :

1. Vérifiez que le spa soit dégonflé, puis retirez le bouchon de la valve et insérez la clé (22) (voir dessin 17).
2. De l'autre main, saisissez l'arrière de la base de la vanne d'air par l'intérieur de la paroi du spa et tournez la clé (22) dans le sens des aiguilles d'une montre.

IMPORTANT : Ne réglez jamais la base de la vanne d'air quand le spa est en cours d'utilisation ni quand il contient de l'eau. N'utilisez que la clé si la valve est endommagée ou si il y a une fuite autour de la base de la valve. Ne pas trop serrer la valve d'air : un serrage excessif peut endommager la valve. Assurez-vous juste que la valve d'air est bien ajusté et ne fuit pas.



Couverture du spa

Inspectez régulièrement la couverture du spa pour détecter d'éventuelles fuites, usures prématurées, détériorations ou signes de détérioration. N'utilisez jamais une couverture usée ou endommagée, car elle ne peut pas fournir le niveau de protection requis pour empêcher l'accès non autorisé d'un enfant au spa. Nettoyez régulièrement l'intérieur et l'extérieur de la couverture avec une éponge et une solution appropriée incluant une désinfection appropriée (10 mg de chlore libre par litre). N'utilisez pas de laine d'acier, de brosse dure, ni de produit nettoyant abrasif.

ENTRETIEN (suite)

Environnement du spa

Les zones utilisées pieds nus et les zones de relaxation autour du spa doivent être nettoyées régulièrement. L'eau de nettoyage ne doit pas pénétrer dans le spa ni dans le circuit d'eau du spa. Les saletés et agents de nettoyage doivent être rincés soigneusement dans un drain à proximité du spa.

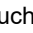
Réparation des parties gonflables de la cuve et de la couverture

Utilisez le patch de réparation fourni pour boucher les trous :

- Nettoyez et séchez soigneusement la zone à réparer.
- Retirez le papier au dos du patch, puis plaquez fermement le patch sur le trou. Lissez la surface pour retirer les bulles sous le patch.

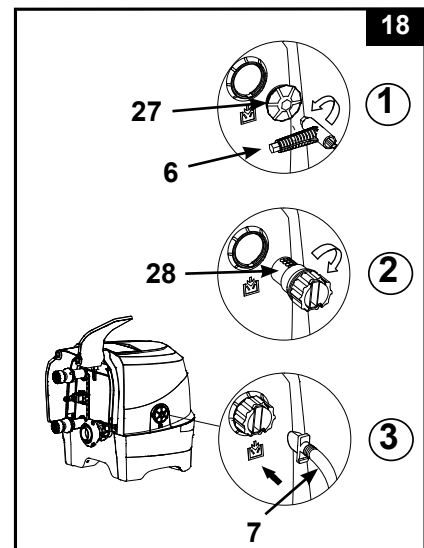
STOCKAGE LONGUE DURÉE

Dans les régions où les températures sont glaciales, videz, nettoyez, démontez et rangez correctement le spa et les composants concernés en intérieur quand la température descend sous 4 °C (39 °F).

1. Videz et nettoyez le spa en procédant comme indiqué dans les sous-chapitres « Vidange du spa » et « Nettoyage du spa ».
2. Dégonflez et démontez le spa, l'unité de contrôle et la partie gonflable de la couverture en procédant en sens inverse de leur procédure de montage.
3. Pour dégonfler le Spa et la partie gonflable de la couverture du Spa :
 - a) Ouvrez le bouchon (dégonflage) (27) avec la clé incluse (6) (voir dessin 18).
 - b) Insérez l'adaptateur de tuyau (dégonflage) (28) dans la sortie dégonflage.
 - c) Insérez le tuyau de gonflage (7) sur l'adaptateur de tuyau (dégonflage).
 - d) Insérez l'autre extrémité du tuyau de gonflage dans la valve du Spa ou dans la valve de la partie gonflable de la couverture.
 - e) Appuyez sur la touche bulles  pour dégonfler.
 - f) Lorsque le dégonflage est terminé, inversez les étapes ci-dessous et assurez-vous que le bouchon (dégonflage) (27) est fixé solidement.

Attention : Utilisez ce produit uniquement aux fins décrites dans ce manuel. Maintenez le tuyau de gonflage éloigné de l'eau ou de petits objets lorsque la fonction de dégonflage est activée pour éviter d'endommager le moteur du ventilateur.

4. Vérifiez que toutes les pièces et tous les accessoires du spa sont parfaitement nettoyés et secs avant de les ranger. Faites sécher le spa à l'air libre au soleil pendant une heure avant de le replier.
5. Repliez le spa sans l'écraser et en évitant les angles trop marqués pour éviter de l'endommager et de percer le liner.
6. Préparez des filtres neufs de rechange pour la prochaine utilisation.
7. Conservez le jacuzzi et les accessoires à l'intérieur dans un endroit à l'abri de l'humidité et dont la température se situe entre 0 et 40 °C.
8. Le carton d'origine peut être utilisé pour l'hivernage.



GUIDE EN CAS DE PANNE

PROBLEME	CAUSE	SOLUTION
AUCUN AFFICHAGE/ L'UNITE DE CONTROLE DU SPA NE FONCTIONNE PAS	<ul style="list-style-type: none"> Le spa est débranché ou éteint. Le cordon électrique du panneau de contrôle est détaché. Panne de courant. Le DDR s'est déclenché. Le DDR est défectueux. 	<ul style="list-style-type: none"> Assurez-vous que le spa est branché et allumé. Assurez-vous que le câble de l'unité de contrôle est bien attaché à la base. Vérifier la source d'alimentation. Réinitialisez le DDR. Contactez le service client Intex.
LA PROTECTION DANS LE TABLEAU ELECTRIQUE SE DECLENCHE	<ul style="list-style-type: none"> Disjoncteur sous-dimensionné. Le disjoncteur est surchargé. Défaut électrique sur la ligne. 	<ul style="list-style-type: none"> Vérifiez l'ampérage du disjoncteur. Assurez-vous que la prise d'alimentation du spa est raccordée à un disjoncteur qui lui est exclusivement dédié. Contactez un électricien qualifié pour corriger le problème électrique.
LA POMPE NE CHAUFFE PAS CORRECTEMENT	<ul style="list-style-type: none"> Température réglée trop basse. Cartouche du filtre sale. La température de l'eau baisse pendant la mise en veille du système de chauffage. Panne de l'élément de réchauffement. 	<ul style="list-style-type: none"> Augmentez la température et installez la couverture du spa. Nettoyer/changer la cartouche du filtre. Si le radiateur est en mode de VEILLE, appuyez deux fois sur le bouton de la flamme pour chauffer l'eau à la température réglée. Contactez le service client Intex.
LE BLOWER NE FONCTIONNE PAS	<ul style="list-style-type: none"> La pompe est trop chaude. 	<ul style="list-style-type: none"> Eteignez et débranchez le spa. Laissez-le refroidir et redémarrez-le. Si le problème persiste, contactez le service client Intex.
LE SYSTEME DE FILTRATION NE FONCTIONNE PAS	<ul style="list-style-type: none"> Cartouche du filtre sale. Aspiration et/ou refoulement de filtration obstrué. Le moteur de la filtration ne fonctionne plus. 	<ul style="list-style-type: none"> Nettoyer/changer la cartouche du filtre. Vérifiez et nettoyez l'aspiration et le refoulement de la filtration régulièrement. Contactez le service client Intex.
L'EAU N'EST PAS PROPRE	<ul style="list-style-type: none"> Le boîtier de la cartouche de filtration n'est pas correctement raccordé. Temps de filtration insuffisant Cartouche du filtre sale. Mauvais entretien de l'eau. L'entrée et la sortie de la filtration sont bouchées. 	<ul style="list-style-type: none"> Assurez-vous que le boîtier de la cartouche est bien attaché. Augmenter le temps de filtration. Nettoyer/changer la cartouche du filtre à temps. Gardez l'eau du spa correctement filtrée. Reportez-vous aux instructions du fabricant du produit chimique. Vérifiez et nettoyez régulièrement l'entrée et sortie de filtration.
LES ADAPTATEURS DE LA POMPE NE SONT PAS À NIVEAU AVEC CEUX DU SPA	<ul style="list-style-type: none"> L'une des caractéristiques normales du PVC est de changer de forme. 	<ul style="list-style-type: none"> Relevez la pompe avec un morceau de bois ou un autre type de matériau isolant pour positionner les adaptateurs de la pompe au même niveau que ceux du spa.
LE SPA EST DÉFORMÉE	<ul style="list-style-type: none"> La pression d'air a augmenté, car le spa est exposé à une forte luminosité solaire. 	<ul style="list-style-type: none"> Ne pas exposer le Spa aux rayons directs du soleil pendant une longue période. Contrôlez la pression d'air et libérez de l'air si nécessaire. Par temps caniculaire, vous devez contrôler la pression d'air, car il peut être nécessaire de libérer un peu d'air pour éviter que le spa ne soit endommagé.

GUIDE EN CAS DE PANNE (suite)

PROBLEME	CAUSE	SOLUTION
LA PRESSION D'AIR DU SPA BAISSÉ.	<ul style="list-style-type: none"> Le bouchon de la valve/soupape de gonflage fuit. La base de la valve de gonflage fuit. Le spa est percée ou fendue. 	<ul style="list-style-type: none"> Assurez-vous que le bouchon de la valve de gonflage soit correctement fermé. Gonflez le spa puis assurez-vous que la base de la valve de gonflage soit bien serrée, reportez-vous à la section "Serrage de la base de la valve de gonflage". Mettez du savon liquide et de l'eau dans une bouteille percée et pulvérisez cette solution sur les jointures. S'il y a une fuite, des bulles se forment. Après avoir identifié une fuite, nettoyez et séchez le pourtour de la fuite, puis appliquez le patch de réparation fourni avec votre spa.
FUITE ENTRE LES CONNECTEURS DU SPA ET LES CONNECTEURS DE L'UNITÉ DE CONTRÔLE	<ul style="list-style-type: none"> Les raccords d'aspiration et de refoulement de l'unité de contrôle du spa ne sont pas étanches. Un joint torique d'aspiration ou de refoulement de l'unité de contrôle est manquant. 	<ul style="list-style-type: none"> Resserrez les raccords d'aspiration et de refoulement. Enduisez les joints toriques avec de la vaseline pour étanchéfier les raccordements. Retirez la grille de l'intérieur du spa avec un tournevis, assurez-vous que le joint de l'aspiration/refoulement soit propre et non endommagé.
LE SPA EST TROP BRUYANT EN MODE FILTRATION UNIQUEMENT	<ul style="list-style-type: none"> Les composants de l'unité de contrôle ne sont pas correctement installés. Le sol sous l'unité de contrôle n'est pas dur et de niveau. Le moteur de filtrage du spa ne fonctionne pas. 	<ul style="list-style-type: none"> Assurez-vous que le panneau de contrôle, le couvercle arrière et tous les raccords de connexion sont correctement serrés. Assurez-vous que le sol est de niveau, ferme et lisse. Remplacez le moteur de filtrage du spa défectueux par un nouveau moteur.
LA PRESSION ATMOSPHÉRIQUE EST FAIBLE PENDANT LE GONFLAGE	<ul style="list-style-type: none"> Joint torique de l'adaptateur de tuyau manquant. L'adaptateur de tuyau de gonflage n'est pas bien serré. Les connexions entre l'adaptateur de tuyau et la sortie de gonflage ou entre le tuyau de gonflage et le spa sont desserrées. Défaillance au niveau du blower. 	<ul style="list-style-type: none"> Assurez-vous que le joint torique est en place. Serrer / réinstaller l'adaptateur de tuyau. Serrer à la main pendant le gonflage. Si le problème persiste, contactez le service client Intex.
LES BULLES D'AIR NE SONT PAS AUSSI PUISSANTES QU'AUPARAVANT	<ul style="list-style-type: none"> Joint torique manquant entre la sortie d'air de l'unité de contrôle et les raccords d'entrée d'air du spa. L'écrou de raccordement n'est pas bien serré. Le circuit d'air interne dans le spa est cassé ou présente une fuite. Défaillance au niveau du blower. 	<ul style="list-style-type: none"> Assurez-vous que le joint torique est en place. Serrez tous les écrous à la main. Utilisez un patch de réparation pour réparer toute crevaision. Si le problème persiste, contactez le service client Intex.

IMPORTANT

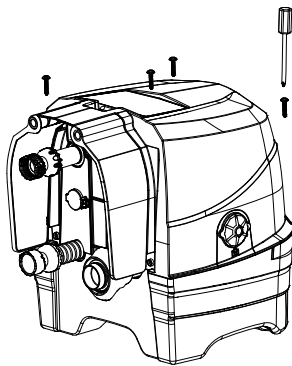
Pour tout complément d'information, contactez votre service consommateur. Voir document « Services Consommateurs agréés » ci-joint.

DÉMONTAGE DU MOTEUR DE FILTRATION

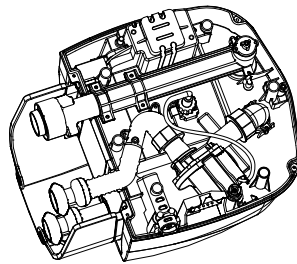
Si le moteur de filtration doit être remplacé (par un technicien qualifié uniquement), suivez les étapes ci-dessous pour le démonter :

IMPORTANT : Vous devez évacuer toute l'eau restante présente à l'intérieur du bloc technique avant de remplacer une pièce.

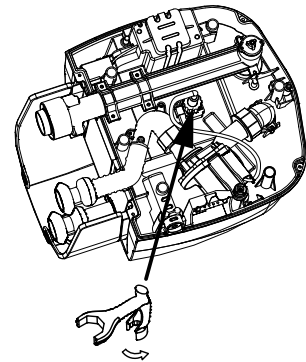
Outils nécessaires : Une clé à molette & une tournevis cruciforme.



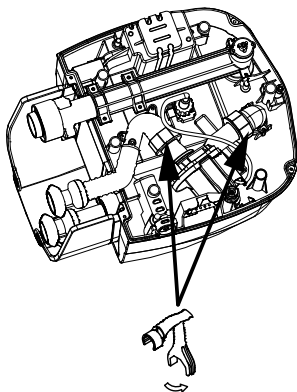
1



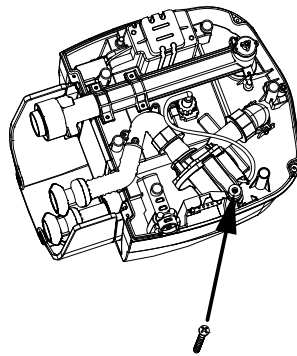
2



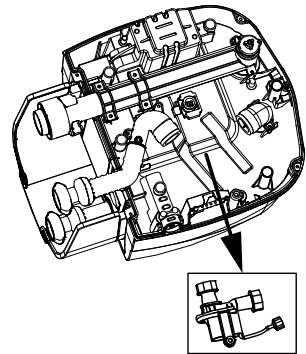
3



4



5



6

NOTE: La clé spéciale est fournie avec le moteur neuf de rechange de la pompe de filtration et non avec le kit spa.

GARANTIE LIMITÉE

Votre PureSpa a été fabriqué avec des matériaux de la meilleure qualité et un savoir-faire de haut niveau. Tous les produits Intex ont été inspectés et sont exempts de vices de fabrication. Cette garantie limitée ne s'applique qu'au PureSpa listé ci-dessous.

Cette garantie limitée est en complément, et non en remplacement, de la garantie légale. Dans les cas où cette garantie serait en contradiction avec vos droits locaux, ces derniers restent prioritaires. Par exemple, les lois européennes apportent des droits statutaires complémentaires à ceux offerts par la garantie limitée. Pour plus d'informations, consultez le site Internet européen : http://ec.europa.eu/consumers/ecc/contact_en/htm.

Les dispositions de cette garantie limitée s'appliquent seulement au premier acheteur. Cette garantie limitée n'est pas transférable. Cette garantie limitée est valable pour une durée d'un an à partir de la date initiale d'acquisition. Conservez l'original du ticket de caisse avec ce manuel, car une preuve d'achat sera exigée et devra accompagner les réclamations; dans le cas contraire, la garantie limitée n'est pas valide.

Garantie PureSpa – 1 an

Si un défaut de fabrication apparaît dans la période ci-dessous, merci de contacter le Service Consommateur Intex approprié listé dans le document « Services Consommateurs agréés » ci-joint. Si vous retournez l'article défectueux comme le bureau SAV vous l'aura indiqué, le Service après-vente inspectera l'article et vérifiera la validité de la réclamation. Si l'article est couvert par les termes de la garantie, le produit sera réparé ou échangé avec un produit similaire (de notre choix) sans frais de votre part.

Aucune garantie complémentaire (autre que légale) ne sera appliquée. En aucun cas INTEX, ses agents et/ou employés ne sauront être tenus responsables des dommages directs ou indirects résultant de l'utilisation du PureSpa (y compris la fabrication du produit). Certains pays ou certaines juridictions n'autorisent pas l'exclusion ou la limitation des dommages impliqués ou accessoires, les limitations ou exclusions ci-dessus ne s'appliquent donc peut-être pas à vous.

Cette garantie limitée ne s'applique pas dans les circonstances suivantes :

- Si le PureSpa est l'objet de négligences, d'une utilisation anormale, d'un accident, d'un mauvais fonctionnement, d'une tension incorrecte ou contraire aux consignes d'utilisation, d'entretien ou d'entreposage;
- Si le PureSpa est soumis à des dégâts par des circonstances indépendantes de la volonté d'INTEX, y compris mais sans s'y limiter, l'usure normale et les dommages causés par exposition au feu, au gel, à la pluie, à une inondation ou à tout autre facteur environnemental externe;
- Si le PureSpa est utilisé à des fins commerciales;
- Pour les pièces et composants non vendus par INTEX; et/ou
- Les modifications non autorisées, les réparations ou le démontage du PureSpa par une personne autre que le personnel des centres SAV INTEX.

Les coûts résultant de la perte d'eau du spa, les dégâts causés par les produits de traitement chimique ou l'eau ne sont pas couverts par cette garantie. Les blessures ou les dégâts matériels ne sont en aucun cas couverts par cette garantie.

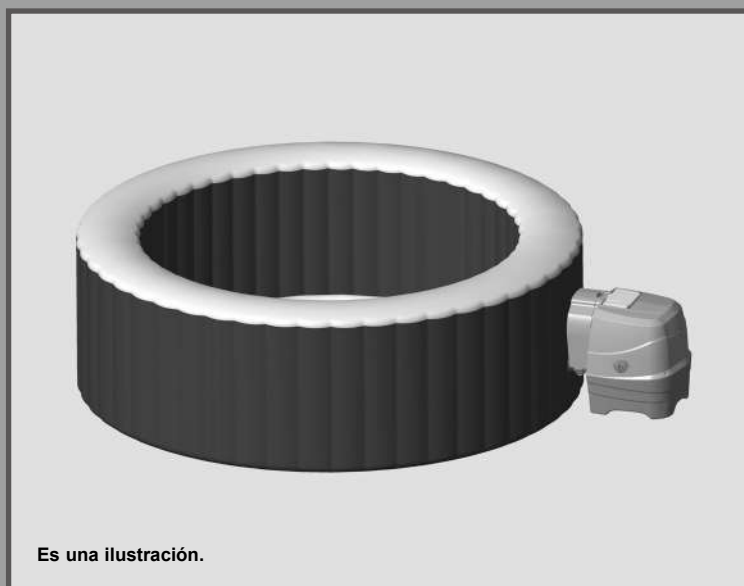
Les blessures ou les dégâts matériels ne sont en aucun cas couverts par cette garantie. Lisez le manuel avec attention et suivez les instructions concernant le fonctionnement et l'entretien de votre PureSpa. Inspectez toujours votre produit avant de l'utiliser. La garantie peut être annulée si les instructions ne sont pas suivies.



NORMAS IMPORTANTES DE SEGURIDAD

Lea, comprenda y siga todas las instrucciones cuidadosamente antes de instalar y utilizar este producto. Conserve para futuras referencias.

PureSpa™ SB-H20



Es una ilustración.

No se olvide de probar otros productos Intex: Piscinas, Accesorios para piscinas, Piscinas inflables, Juguetes, Camas de aire y barcas están disponibles en nuestros distribuidores o visitando nuestra página web.

Debido a una política de mejora continuada de producto, Intex se reserva el derecho a modificar las especificaciones y la apariencia, lo cual puede implicar cambios en el manual de instrucciones, sin previo aviso.

INTEX®

©2020 Intex Marketing Ltd. - Intex Development Co. Ltd. - Intex Recreation Corp.
All rights reserved/Tous droits réservés/Todos los derechos reservados/Alle Rechte vorbehalten. Printed in China/Imprimé en Chine/Impreso en China/Gedruckt in China.

®™ Trademarks used in some countries of the world under license from/®™ Marques utilisées dans certains pays sous licence de/Marcas registradas utilizadas en algunos países del mundo bajo licencia de/Warenzeichen verwendet in einigen Ländern der Welt in Lizenz von/Intex Marketing Ltd. to/à/a/an Intex Development Co. Ltd., G.P.O Box 28829, Hong Kong & Intex Recreation Corp., P.O. Box 1440, Long Beach, CA 90801 • Distributed in the European Union by/Distribué dans l'Union Européenne par/Distribuido en la unión Europea por/Vertrieb in der Europäischen Union durch/Intex Trading B.V., Venneveld 9, 4705 RR Roosendaal – The Netherlands
www.intexcorp.com

TABLA DE CONTENIDOS

Advertencia.....	3-5
Referencia de piezas.....	7-8
Instrucciones de montaje.....	9-14
Instrucciones de funcionamiento.....	15
Cuadro de códigos LED.....	16
Consejos para minimizar la pérdida de calor y el consumo energético.....	17
Mantenimiento.....	18-22
Almacenamiento durante periodos de tiempo prolongados.....	22
Guía de averías.....	23-24
Desmontaje del motor de la depuradora de cartucho.....	25
Garantía limitada.....	26

NORMAS IMPORTANTES DE SEGURIDAD

Lea, comprenda y siga todas las instrucciones cuidadosamente antes de instalar y utilizar este producto.

LEA Y SIGA TODAS LAS INSTRUCCIONES

⚠ PELIGRO

- Riesgo de ahogamiento accidental (Especialmente niños menores de 5 años). Vigile que los niños no accedan al spa sin autorización. Esto lo debe hacer un adulto supervisor cerrando el acceso o instalando un dispositivo de protección seguro en el spa. Para evitar accidentes en el spa, los niños deben estar bajo vigilancia constante.
- Riesgo de ahogamiento. Examine la cubierta del spa con frecuencia para asegurarse de que no tiene fugas, desgastes prematuros, daños o signos de deterioro. No usar nunca una cubierta desgastada o deteriorada: no proporcionará el nivel de protección necesario para evitar que los niños tengan acceso a ella cuando no hay vigilancia.
- RIESGO DE LESIONES. Los accesorios de succión de este spa poseen un tamaño adecuado al flujo de agua producido por la bomba. Si fuera necesario reemplazar los accesorios de succión de la bomba, asegúrese de que las tasas de flujo son compatibles. No ponga nunca en funcionamiento el spa si los accesorios de succión están rotos o no están en su lugar. No reemplace nunca un accesorio de succión con una tasa de flujo inferior a la indicada en el accesorio original.
- RIESGO DE LESIONES. Reemplace un cable dañado de inmediato. No entierre el cable. No use cables alargadores.
- RIESGO DE DESCARGA ELÉCTRICA. No coloque ningún aparato eléctrico, tales como una luz, un teléfono, una radio o televisor dentro de un radio de 11.5 pies (3,5 m) del spa o del baño caliente.
- RIESGO DE DESCARGA ELÉCTRICA. No use el spa cuando esté lloviendo, o si hay una tormenta eléctrica.

⚠ ADVERTENCIA

- La sauna debe estar alimentada por un transformador aislado o por un dispositivo de corriente residual (RCD) que tenga una corriente de funcionamiento residual nominal que no supere los 30 mA.
- El aparato eléctrico del jacuzzi posee un disyuntor de corriente portátil (DCRP) con una corriente nominal residual de funcionamiento que no exceda de 10 mA. Si se detecta una fuga de corriente superior a 10 mA, el DCRP se activará y cortará el suministro eléctrico, en cuyo caso, deberá desenchufar el jacuzzi y dejar de usarlo inmediatamente. Consulte con un servicio técnico local para que le aconsejen y/o reparen el producto.
- Las piezas que poseen tensión, a excepción de las partes con voltaje extra bajo seguro que no exceda de 12 V, deben estar inaccesibles a la persona que está en el spa.
- La instalación eléctrica debe cumplir los requisitos de estándares locales nacionales.
- Las piezas que poseen componentes eléctricos, a excepción de los dispositivos con control remoto, deben estar ubicados o fijados de forma que no puedan caer en el spa.
- Para disminuir el riesgo de lesiones corporales, no deje que los niños usen este producto, a menos que lo hagan bajo supervisión permanente.
- Los niños no deben usar spas o bañeras sin supervisión adulta.
- Para reducir el riesgo de que se pudiera ahogar un niño, deberá vigilarlos en todo momento. Coloque y cierre la cubierta después de cada uso.
- PARA REDUCIR EL RIESGO DE LESIONES/PROBLEMAS DE SALUD:
 - a). El agua en la sauna no debe sobrepasar los 40°C (104°F). Se considera que una temperatura del agua entre 38°C (100°F) y 40°C (104°F) es segura para un adulto que no presente problemas de salud. Se recomiendan temperaturas más bajas para niños pequeños y cuando el uso de la sauna supera los 10 minutos. Se recomienda consultar con un médico antes de usar el producto.
 - b). El agua demasiado caliente puede, con gran probabilidad, dañar al feto durante las primeras semanas de embarazo. Las mujeres embarazadas, o que pudieran estarlo, deberán limitar la temperatura del agua y la duración de uso, y además deberán consultar con un médico.

⚠ ADVERTENCIA

- c). El usuario debe comprobar la temperatura del agua antes de introducirse en el spa.
- d). El uso de alcohol, drogas, o medicación antes o durante la sauna puede provocar un estado de inconsciencia con la posibilidad de ahogamiento.
- e). Las personas que tengan algún problema de salud deberán consultar con un médico antes de usar el spa.
- f). Las personas que estén tomando medicamentos, y/o posean un historial de enfermedades, deben consultar con un médico antes de usar el spa ya que ciertos medicamentos producen mareo, y otros pueden afectar la frecuencia cardíaca, la presión sanguínea y la circulación.
- g). No introduzca la cabeza bajo el agua ni trague agua del spa.
 - Las personas con enfermedades infecciosas no deben usar la sauna.
 - Para evitar daños corporales, tome cuidado al entrar o salir del spa o del baño caliente.
 - Las mujeres embarazadas o con sospecha de embarazo deben consultar con un médico antes de usar un spa o baño caliente.
 - El agua con una temperatura mayor de 38°C puede ser perjudicial para la salud.
 - No use la sauna inmediatamente después de un ejercicio fuerte.
 - Una inmersión prolongada en el spa o en el baño caliente puede ser perjudicial para la salud.
 - Si está embarazada y se baña en agua caliente por largos periodos de tiempo, el feto puede sufrir daños. Mida la temperatura del agua antes de entrar en ella. No entre en el agua si la temperatura es superior a 100°F (38°C). No permanezca en el spa más de 10 minutos.
 - El calor del spa junto con el alcohol, drogas o medicación puede hacer perder la consciencia.
 - Salga inmediatamente si se siente incómodo, mareado o somnoliento. El calor del spa puede causar hipertermia y pérdida de conocimiento.
 - Las causas, síntomas y efectos de la hipertermia son los siguientes: La hipertermia ocurre cuando la temperatura interna del cuerpo alcanza un nivel de varios grados más de la temperatura normal que es de 98,6°F (37°C). Sus síntomas incluyen un aumento de la temperatura interna del cuerpo, mareos, letargia, somnolencia o desvanecimiento. Los efectos de la hipertermia incluyen incapacidad para percibir el calor, incapacidad para reconocer la necesidad de salir del spa o del baño caliente, incapacidad para reconocer el peligro inminente, daños fetales a mujeres embarazadas, incapacidad física para salir del spa o del baño caliente y pérdida de conocimiento que podría resultar en ahogamiento.
 - El uso de alcohol, drogas o medicación pueden aumentar el riesgo de hipertermia fatal en spas y baños calientes.
 - Eche siempre los productos químicos al agua, nunca eche agua a los productos químicos. Si echa agua a los productos químicos puede causar humos fuertes o reacciones violentas y provocar salpicaduras químicas peligrosas.
 - No salte o se sumerja en el spa ni en cualquier otro lugar con agua poco profunda.
 - El montaje y desmontaje debe ser hecho solo por adultos.
 - Este aparato sólo podrá ser utilizado por niños de más de 8 años, por personas con capacidades reducidas (sean físicas, sensoriales o mentales) y por personas con falta de experiencia y conocimiento cuando se les haya supervisado o instruido acerca del uso del aparato de forma segura y comprendan los posibles peligros. Los niños no deben jugar con el aparato. La limpieza y mantenimiento no debe ser realizado por niños.
 - No coloque ninguna parte eléctrica del aparato sobre el baño cuando esté usándolo.
 - Mantenga el enchufe de este producto a más de 4 metros del spa y a una altura de al menos 1,2 metros.
 - Desconecte siempre el producto de la toma eléctrica antes de mover, limpiar, reparar o hacer cualquier ajuste al mismo. También deberá desconectar el producto en días de lluvia.
 - No entierre el cable de alimentación. Ubique el cable donde no pueda ser alcanzado por cortadoras de césped, recortadoras de setos y otros equipos.

⚠ ADVERTENCIA

- El enchufe del cable corriente no puede ser sustituido. Si el cable se daña, se debe tirar el aparato a los contenedores indicados para tal fin. Usar solo piezas idénticas a las originales como repuestos durante las reparaciones.
- **Mantenga siempre seco el enchufe. ¡Conectar un enchufe mojado no está permitido!**
- El enchufe el jacuzzi tiene que estar directamente conectado únicamente a una toma de corriente con toma de tierra en una instalación eléctrica fija.
- Para reducir el riesgo de descargas eléctricas y fuego, no use cables alargadores, temporizadores, adaptadores de enchufe o enchufes convertidores para conectar el aparato a la toma de corriente. Tenga a disposición una toma de corriente adecuadamente situada.
- No intente enchufar o desenchufar este aparato si está en pie sobre agua o con las manos húmedas.
- No deje el spa vacío durante largos periodos de tiempo. No exponer el Spa a la luz solar directa durante largos periodos.
- Cuando el aparato no esté en uso por un largo período de tiempo, como en el invierno, el spa se deberá desmontar y almacenar en un sitio cubierto.
- No permita que se congele el agua del spa y no lo ponga en cuando el agua está congelada.
- No use el spa si estuviera dañado y/o funciona defectuosamente de cualquier modo. Entre en contacto con el centro de servicio de Intex para más información.
- No use nunca el spa si está solo ni deje que otros lo hagan sin compañía.
- No eche nunca agua que esté a una temperatura mayor de 40°C (104°F) directamente en el spa.
- Mantenga todas las mascotas alejadas del spa para evitar daños.
- No eche aceite o sales para el baño en el agua del spa.
- El spa debe colocarse sobre una superficie lisa, plana y nivelada con capacidad para soportar la capacidad máxima de carga de cuatro adultos con un peso de 2500 libras (1136 kg), 6 adultos: 3500 libras (1592 kg), 8 adultos: 4400 libras (1999 kg).
- Prepare un sistema de drenaje adecuado alrededor del spa para el agua que sobresalga o salpique.
- Por seguridad, use solo accesorios suministrados por el fabricante del spa.
- No apto para usos públicos/comerciales y/o alquiler en residencias domésticas.
- Consulte los párrafos siguientes del manual para obtener información sobre cómo instalar el aparato, limpiarlo y mantenerlo.

Lea, comprenda y siga todas las instrucciones cuidadosamente antes de instalar y utilizar este producto. Estas advertencias, instrucciones y guías de seguridad hacen referencia a los riesgos más frecuentes en las actividades acuáticas, pero no cubren todos los riesgos y peligros posibles. Siempre utilizar la precaución y el sentido común para desarrollar actividades en el agua. Conserve para futuras referencias.

Seguridad para los que no nadan

- En todo momento es necesaria una supervisión atenta, continua y activa, por parte de un adulto, a los nadadores más inexpertos y a los que no saben nadar (recuerde que niños menores de 5 años tienen un alto riesgo de ahogamiento).
- Designar un responsable adulto para vigilar la spa durante todo el tiempo en el que esté en uso.
- Retirar todos los juguetes del interior de la spa o de sus inmediaciones cuando ésta no esté en uso, de modo que se evite que los niños se vean atraídos hacia la spa.

Medidas de seguridad

- Debe utilizar una cubierta o dispositivo de protección de seguridad, o (donde sea aplicable) cerrar todas las puertas y ventanas para evitar accesos no autorizados al spa.

⚠ ADVERTENCIA

- Barreras, cobertores, alarmas o equipos de seguridad similares son de gran ayuda, pero no sustituyen la supervisión continua y adecuada por parte de un adulto.

Equipos de seguridad

- Mantener un teléfono operativo y una lista con teléfonos de emergencia cerca de la spa.

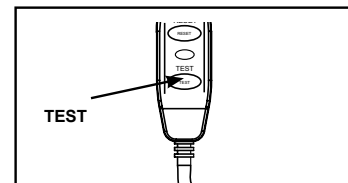
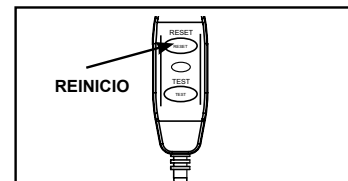
Utilización segura de la spa

- Animar a todos los usuarios, especialmente los niños, a aprender a nadar.
- Aprender los Primeros Socorros (Reanimación Cardiopulmonar – CPR) y mantener los conocimientos actualizados. Esto puede salvar vidas en diversos momentos de emergencia.
- Informar a todos los usuarios, incluidos los niños, qué hacer en casos de emergencias.
- Nunca tirarse en aguas poco profundas. Esto puede resultar en lesiones graves o la muerte.
- No usar la spa bajo los efectos del alcohol o medicamentos que puedan alterar la consciencia y afectar la seguridad.
- Retirar completamente los cobertores antes de utilizar la spa.
- Proteger a los usuarios de las molestias y enfermedades causadas por mal tratamiento del agua practicando una buena limpieza e higiene en la spa. Consultar las instrucciones de cuidado del agua en el manual de instrucciones.
- Almacenar productos químicos fuera del alcance de los niños.
- Coloque los símbolos de seguridad en el spa o a menos de 2 metros del mismo en posición claramente visible.

⚠ ADVERTENCIA

- Este producto posee un RCD (Dispositivo de Corriente Residual) situado en el extremo del cable de alimentación. El RCD debe ser comprobado antes de cada uso. No use el spa si el RCD no funciona correctamente. Consulte con un electricista cualificado para repararlo. No use el aparato sin el RCD. El RCD no tiene piezas reparables por el usuario en su interior. Si abre el RCD la garantía quedará anulada.

1. Enchufe el aparato a una toma de corriente con toma de tierra.
2. Presione el botón de REINICIO en el RCD.
3. Encienda el equipo eléctrico del spa.
4. Presione el botón TEST del RCD. El indicador del RCD se apagará y el equipo eléctrico se desconectará. Si el indicador del RCD no se apaga, y el equipo eléctrico no se desconecta, esto indica que el RCD está defectuoso. No use el spa. Consulte con un electricista cualificado para repararlo.
5. Presione el botón de REINICIO en el RCD. El indicador del RCD se encenderá. Si el indicador del RCD no se enciende, esto quiere decir que está defectuoso. No use el spa. Consulte inmediatamente con un electricista cualificado para repararlo.

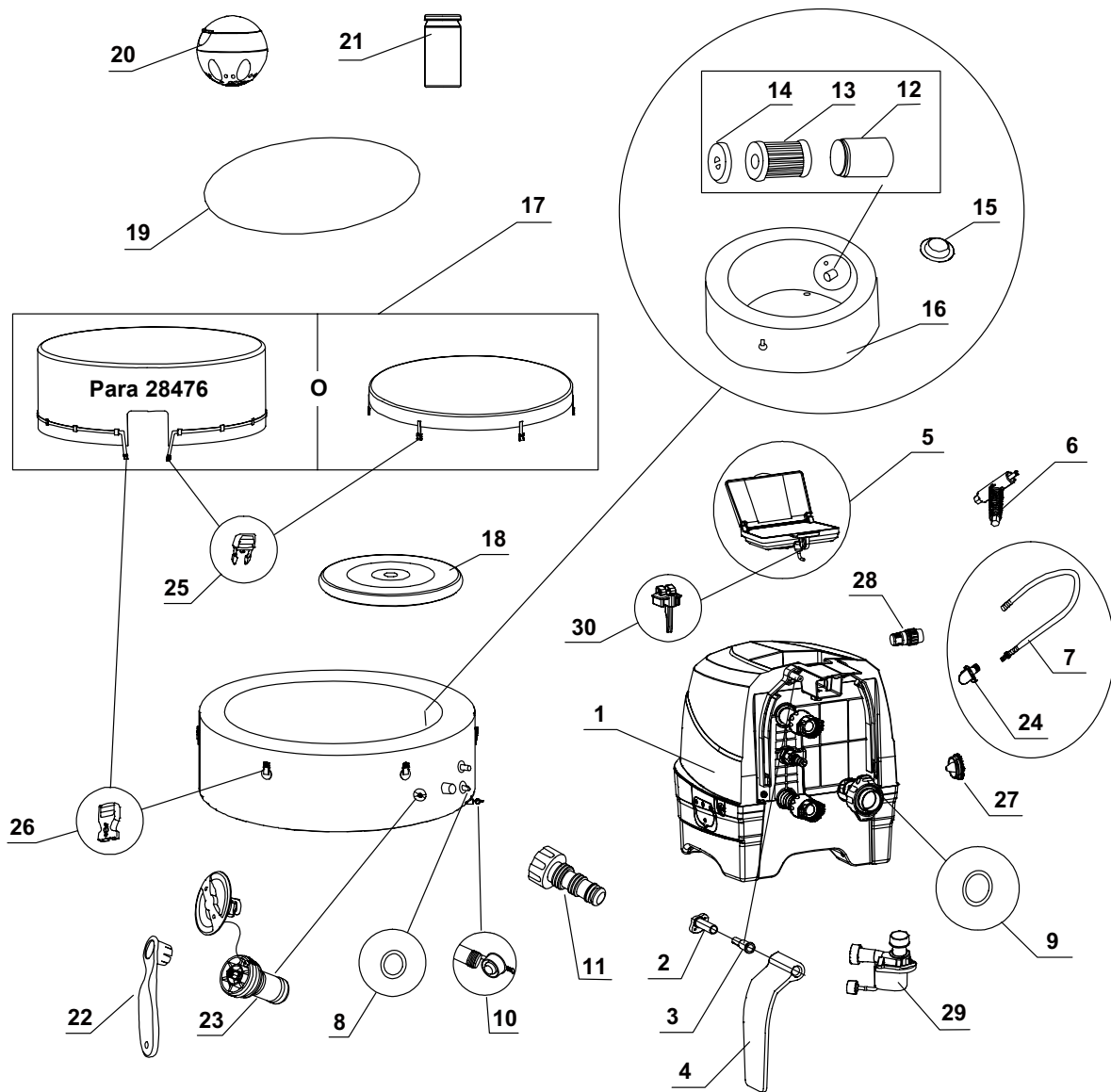


⚠ CUIDADO

- Para evitar el peligro debido al restablecimiento accidental del corte térmico, este aparato no debe alimentarse a través de un dispositivo de conmutación externo, como un temporizador, ni conectarse a un circuito que sea conectado y desconectado regularmente por la compañía de servicios públicos.
- Mantenga los elementos químicos del agua conforme a las instrucciones del fabricante.

REFERENCIA DE PIEZAS

Antes de montar este producto, por favor, tómese unos minutos para chequear el contenido y familiarizarse con todas las piezas.



NOTA: Los dibujos son solo para su referencia, pueden no reflejar el producto real y no son a escala.

REFERENCIA DE PIEZAS (cont.)

Antes de montar este producto, por favor, tómese unos minutos para chequear el contenido y familiarizarse con todas las piezas.

PIEZA NO.	DESCRIPCIÓN	CANTIDAD	REFERENCIA N°					
			4 ADULTOS			6 ADULTOS		8 ADULTOS
			28426	28430	28476	28428	28432	28412
1	BASE DE CONTROL	1	12836	12836B	12836	12836	12836B	12836
2	CUBIERTA LATERAL DE LA BISAGRA DE LA BASE	2	12771D	12771D	12771D	12771D	12771D	12771D
3	CUBIERTA LATERAL DE LA FIJACIÓN DE LA BASE	2	12772D	12772D	12772D	12772D	12772D	12772D
4	CUBIERTA LATERAL DE LA BASE DE CONTROL	2	12770W	12770B	12770W	12770W	12770B	12770W
5	PANEL DE CONTROL	1	12840	12840B	12840	12840	12840B	12840
6	LLAVE DEL PERNO DEL PANEL DE CONTROL	1	11053	11053	11053	11053	11053	11053
7	MANGUERA DE INFLADO DE LA CUBIERTA/SPA	1	11830	11830	11830	11830	11830	11830
8	ARANDELA DE CONTROL DE LA ENTRADA/SALIDA DEL SPA	2	11699	11699	11699	11699	11699	11699
9	ARANDELA DE CONTROL DE LA ENTRADA DE AIRE DEL SPA	1	11687	11687	11687	11687	11687	11687
10	TAPÓN DEL DESAGÜE DEL SPA	1	11995	11995	11995	11995	11995	11995
11	ADAPTADOR DE LA VÁLVULA DEL DESAGÜE DEL SPA	1	13036	13036	13036	13036	13036	13036
12	CARCASA DEL CARTUCHO DEL FILTRO	1	11798	11798	11798	11798	11798	11798
13	CARTUCHO DEL FILTRO	2	11692	11692	11692	11692	11692	11692
14	TAPA DE LA CARCASA DEL CARTUCHO DEL FILTRO	1	11797	11797	11797	11797	11797	11797
15	TAPÓN DE LA SALIDA/ENTRADA	3	11739	11739	11739	11739	11739	11739
16	BAÑERA DEL SPA	1	11842	12260	11842	12106	12258	12957
17	CUBIERTA DEL SPA	1	11841	12261	12752	12107	12256	12958
18	CÁMARA DE LA CUBIERTA INFLABLE DEL SPA (PREINSTALADA EN LA CUBIERTA DEL SPA)	1	11689	11689	12753	12108	12108	12959
19	TAPIZ DE SUELO	1	11717	11717	11717	12109	12109	12960
20	FLOTADOR PARA PRODUCTOS QUÍMICOS	1	12735	12735	12735	12735	12735	12735
21	TIRAS DE PRUEBA	1	11855	11855	11855	11855	11855	11855
22	LLAVE	1	11742	11742	11742	11742	11742	11742
23	NÚCLEO DE LA VÁLVULA DE LIBERACIÓN DE PRESIÓN DE AIRE	1	12589	12589B	12589	12589	12589B	12589
24	ADAPTADOR DE LA MANGUERA (PREVIAMENTE INSTALADO CON #7)	1	12773	12773	12773	12773	12773	12773
25	CIERRE PARTE MACHO	6	11698	11698B	-	11698	11698B	11698
		1	-	-	11698	-	-	-
26	CIERRE PARTE HEMBRA	6	11799	11799B	-	11799	11799B	11799
		1	-	-	11799	-	-	-
27	TAPA DEL ORIFICIO DE SALIDA DE AIRE	1	12775W	12775B	12775W	12775W	12775B	12775W
28	ADAPTADOR DE LA MANGUERA DE SALIDA DE AIRE	1	12774	12774	12774	12774	12774	12774
29	MOTOR DEL FILTRO	1	12778	12778	12778	12778	12778	12778
30	FIJADOR DE PANEL	1	10064	10064B	10064	10064	10064B	10064

Cuando pida piezas ponga número de modelo y número de la pieza.

ESPECIFICACIONES DEL PRODUCTO

Voltaje / Frecuencia / Fase	220 - 240 V / 50 Hz / 1 PH		
Capacidad máxima de personas sentadas:	4 adultos	6 adultos	8 adultos
Capacidad de agua:	210 Galones (795 Litros)	290 Galones (1098 Litros)	354 Galones (1340 Litros)
Diámetro interior/exterior:	57/77 in (145/196 cm)	65/85 in (165/216 cm)	73/93 in (185/236 cm)
Altura:	28 in (71 cm)		
Soplador de burbujas de aire:	800 W		
Tasa de flujo de la bomba del filtro:	460 gal/Hora (1,741 L/Hora)		
Potencia de calentamiento:	2,200 W		
Tasa de temperatura:	20°C – 40°C (68°F – 104°F)		
Elevación de temperatura:	1.5-2.5°C/H (3°F – 4.5°F/H)	1-2°C/H (2°F – 3.5°F/H)	0.8-1.5°C/H (1.5°F – 3°F/H)
Número de Bubble Jets:	120 (28426 / 28476) 140 (28430)	140 (28428) 170 (28432)	170
Presión de funcionamiento recomendada en el spa:	0.083 bar (1.2 psi)		

Spa sobre suelo, hinchable, portátil, conectado por cable, con bomba, calentador, soplador, tratamiento integrado para aguas duras y panel de control.

NOTA: El equipo de spa posee un sistema completo de conexión a tierra que está también en contacto con el agua del spa. Es posible que algunas personas pueden acumular electricidad estática que se descarga al tocar el agua. Independientemente de esa circunstancia, cualquier descarga eléctrica experimentada debe ser investigada por un electricista cualificado antes de usar el spa. Desconecte el spa hasta que se determine la causa y se realice cualquier acción correctiva necesaria.

⚠ ADVERTENCIA

Riesgo de incendio: Este producto necesita como mínimo 13 amperios. La mayoría de los circuitos eléctricos domésticos son de entre 13 y 16 amperios. Si se activa el disyuntor, compruebe que no haya otros aparatos o grandes cargas conectados al mismo circuito que el spa. No use cables alargadores. Desenrolle el cable antes de usarlo. Nunca coloque el enchufe sobre materiales combustibles.

INSTRUCCIONES DE MONTAJE

Preparación y requisitos de la ubicación

- El spa se puede instalar en interiores o exteriores. Solo de uso doméstico.
- Verifique que el lugar es resistente al agua, nivelado y plano, y que no hay objetos punzantes debajo del spa o a su alrededor.
- Instale una toma de corriente con toma de tierra en ubicación apropiada y con un grado de protección IPX4 o superior para conectar el spa, y deje un acceso fácil para comprobar regularmente el estado del cable con protección RCD (Interruptor diferencial).
- Verifique que hay suficiente espacio alrededor del spa para poder acceder sin problemas al equipo al realizar su mantenimiento y/o reparaciones.
- El área debe facilitar el vaciado del spa antes de almacenarlo por largos periodos de tiempo. Consulte las normativas locales y nacionales relacionadas con el desecho del agua de spa.
- Para disminuir las molestias causadas por el ruido, no instale el spa al lado de paredes verticales.
- El área debe estar cerca de un suministro de agua dulce conforme con las normativas locales del agua, y cuyos parámetros se ajusten a la sección del manual sobre química y equilibrio del agua del spa antes de usarlo.
- Consulte las leyes y normativas locales relacionadas con la instalación en interiores y/o exteriores de un spa.

Requisitos adicionales para la instalación en interiores

- Compruebe que el suelo puede soportar el peso máximo con cuatro usuarios adultos dentro del spa. Consulte con un contratista cualificado o con un ingeniero civil especializado en estructuras para que compruebe el equipo.
- Verifique que el suelo es resistente al agua y su superficie es antideslizante. No instale el spa sobre una alfombra o cualquier otro material que se pueda dañar con la humedad o condensación.
- No instale el spa en interiores en un segundo piso sobre un espacio habitado porque existe la posibilidad de que se produzcan daños por agua o humedad.

INSTRUCCIONES DE MONTAJE (cont.)

- La humedad es un efecto secundario natural en una instalación interior del aparato. La habitación debe tener una ventilación adecuada para que escape la humedad. Instale un sistema de ventilación para evitar una condensación y humedad excesivas en la habitación.

Requisitos adicionales para la instalación en exteriores

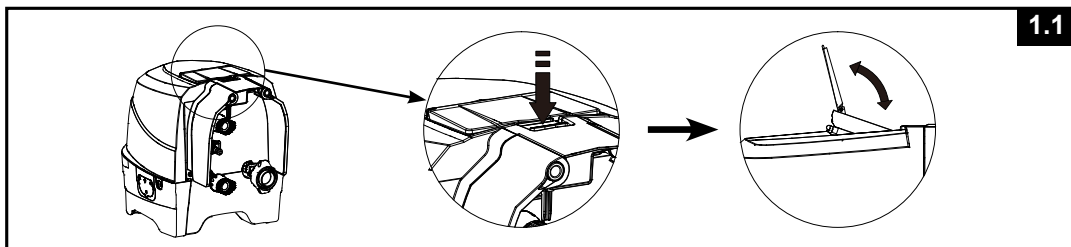
- El propietario del spa debe cumplir con las normas locales o estatales relacionadas con el vallado para niños, barreras de seguridad, iluminación y otros requisitos o medidas de seguridad. Consulte con la oficina de normas de construcción locales para obtener más información.
- Compruebe que la superficie es plana, lisa y nivelada, y suficientemente fuerte como para soportar el peso del spa a su capacidad de peso máxima.
- No coloque el spa sobre césped o tierra porque esto aumenta el volumen de restos y suciedad que caen dentro de la misma y además, pueden dañar su suelo.
- **No exponga el spa a la luz directa del sol por largos periodos de tiempo. Proteja el spa del sol con una sombrilla, tienda, toldo o glorieta.**
- El spa se puede instalar y dejar a la intemperie si la temperatura no baja de 4°C (39°F) siempre que la temperatura del agua que hay en su interior sea superior a 4°C (39°F) y que el agua que hay en su sistema de circulación, bomba y tubería no esté congelada. Coloque una "barrera de temperatura" entre el suelo del spa y el suelo sobre la que está situada para evitar pérdidas de calor por esa zona y retenerlo mejor. No use el spa si la temperatura ambiente o la temperatura del agua es de 4°C (39°F) o inferior.

El spa debe ser instalado por al menos dos personas.

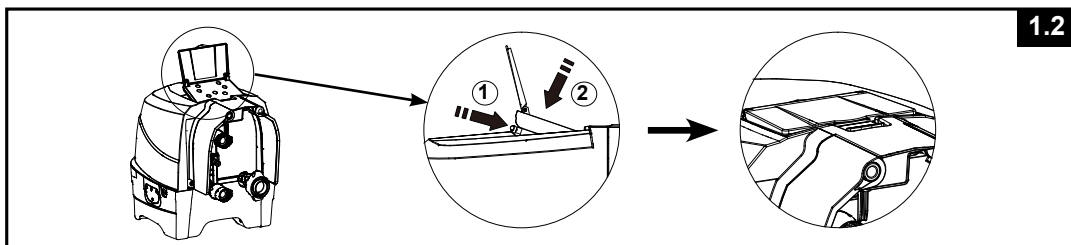
1. Lleve el embalaje completo a lugar de instalación seleccionado. No lo arrastre por el suelo porque podría dañar el producto y provocar fugas. Abra la caja con cuidado para poder utilizarla después como lugar de almacenamiento del producto cuando no lo esté utilizando.
2. Coloque todas las piezas en el suelo y verifique que están todas presentes. Si alguna pieza falta o está dañada, entre en contacto con el Centro de Servicio Intex cuya información encontrará en el folleto separado "Centros de Servicio Autorizados".

Ajuste del panel de control del spa

1. Presione la palanca hacia abajo para inclinar el panel de control y voltear hacia arriba la cubierta del panel (vea el dibujo 1.1).



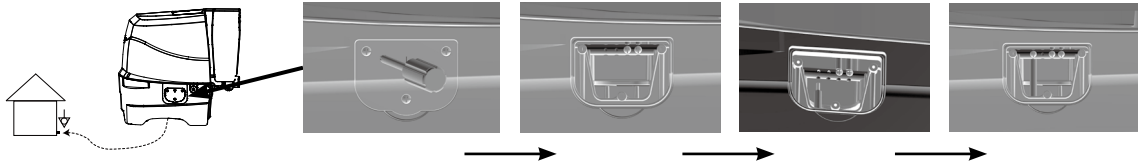
2. Para guardar el panel de control de nuevo, presione hacia dentro el botón ubicado en la parte posterior al tiempo que empuja hacia abajo el panel de control (vea el dibujo 1.2).



INSTRUCCIONES DE MONTAJE (cont.)

Sistema de compensación de potencial Opcional

Dependiendo de las normas y regulaciones nacionales o locales, pida a un electricista calificado conectar el terminal equipotencial del Spa con un cable conductor que debe de tener un área de sección transversal nominal de entre 2,5 mm² a 6mm² al terminal equipotencial de la instalación de su hogar. (Cable no incluido)



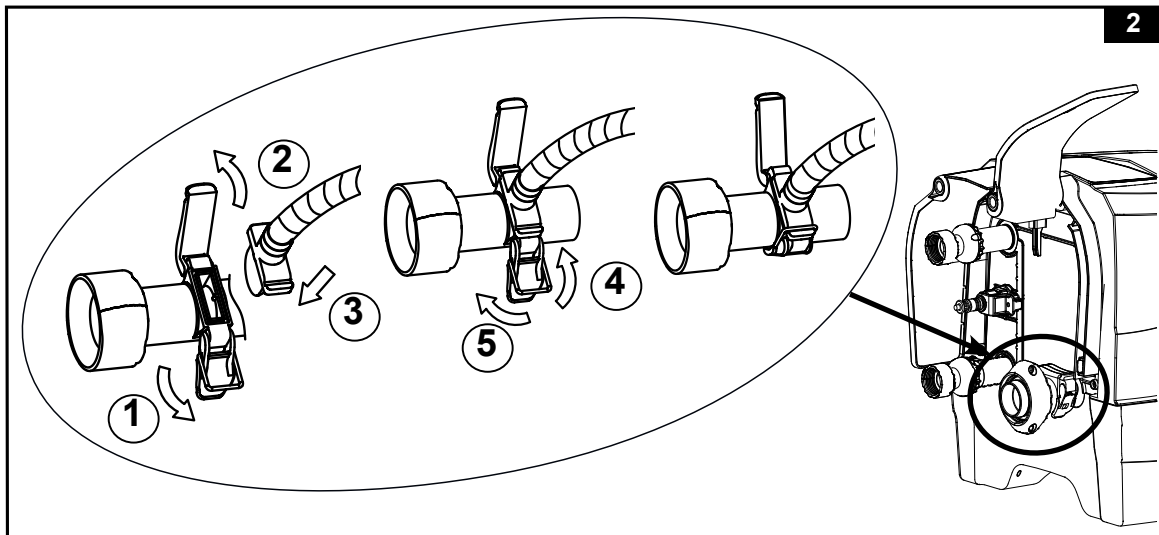
INFLAR

Infle la pared de la bañera del spa

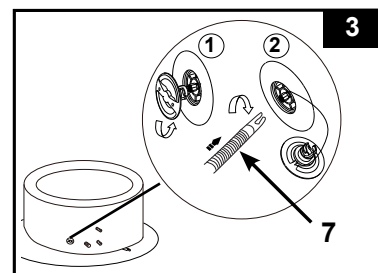
1. Saque el tapiz para el suelo (19) y extiéndalo sobre un área libre de objetos. Después, extienda el forro sobre el tapiz y coloque la válvula de vaciado apuntando hacia un área de drenaje apropiada.

NOTA: Extienda el tapiz de suelo con las burbujas para abajo sobre un área limpia donde Usted desee montar su spa.




2. Gire hacia arriba la cubierta de la base de control (4) para dejar a la vista la salida de inflado del soplador de aire. Tire del pestillo para abrir la cubierta, inserte el adaptador de manguera (24) con la manguera y vuelva a enganchar el pestillo al adaptador de manguera para fijarlo en su lugar (vea el dibujo 2).

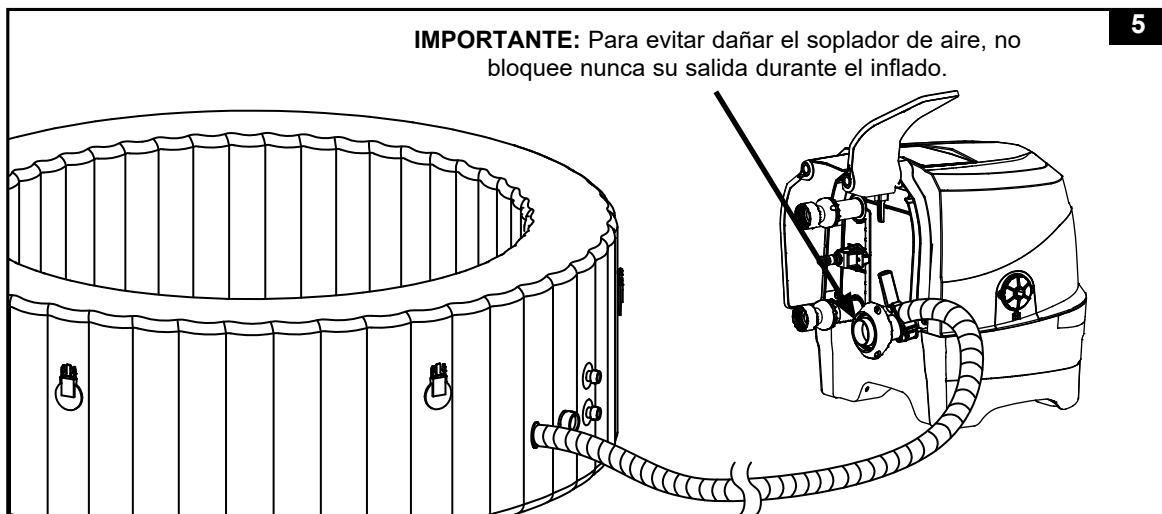
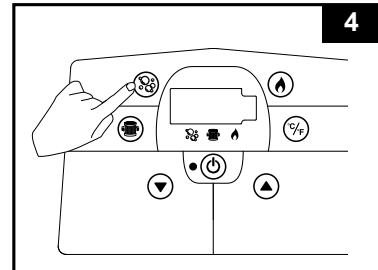


3. Desenrosque la válvula de aire del spa para dejar a la vista el vástago en posición erguida para inflar. Inserte el otro extremo de la manguera de inflado (7) en la válvula y gírelo hacia la derecha para bloquearlo en su posición (vea el dibujo 3).



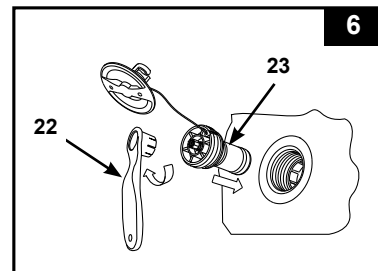
INSTRUCCIONES DE MONTAJE (cont.)

- Presione el botón  para encender los botones del panel de control primero. Presione el botón  para hinchar la bañera durante 8 a 10 minutos hasta que esté firme al tacto, pero no dura en exceso (vea el dibujo 4 & 5).
IMPORTANTE: No infle demasiado o utilice un compresor de aire a alta presión para inflar el producto.
- Presione el botón  de nuevo para apagarlo.




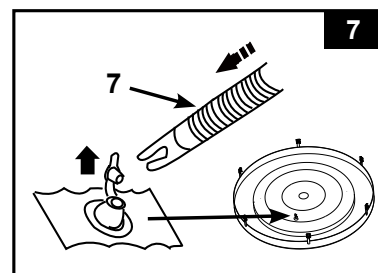
- Vuelva a colocar la tapa de la válvula del aire. La tapa está hecha para ser enroscada y desenroscada. No lo haga con demasiada fuerza porque podría aflojar todo el sistema interno de inflado. Ver "Apretado de la válvula de aire de la bañera del spa" para saber más sobre su mantenimiento.

NOTA: Si hay necesidad de reemplazar el nuevo núcleo de la válvula de liberación de presión de aire (23) debido al desgaste, use la llave incluida (22) para desenroscar el núcleo de la base de la válvula. Inserte el núcleo de sustitución y apriételo con la llave. Asegúrese de que el núcleo está firmemente apretado (vea el dibujo 6).



Infle la cámara de la cubierta de aire del spa

- Abra la válvula de inflado e inserte la manguera de inflado (7) en la válvula. Presione  para inflarla hasta que esté firme al toque pero no dura (vea el dibujo 7).
- Desconecte la manguera de inflado (7) de la entrada de inflado del soplador de aire y de la válvula.
- Vuelva a colocar la tapa de hinchado de la base de control; cierre y presione la válvula hasta su posición final.



NOTA: Si fuera necesario agregar más aire a la pared de la bañera del spa o a la cámara de la cubierta después de instalarlas, consulte las secciones "Inflado de la pared de la bañera del spa" y "Inflado de la cámara de aire del spa". La cámara de aire interior está preinstalada en el cobertor del spa. Si fuera necesario volverla a colocar, primero colocar la cámara vacía dentro de la capa del cobertor del spa y, entonces, hincharla.

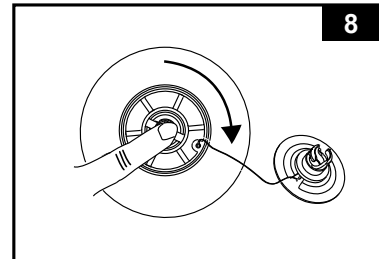
INSTRUCCIONES DE MONTAJE (cont.)

DESINFLAR

Para la pared de la bañera del spa:

1. Desenrosque la tapa que deja el vástago al descubierto, presiónelo y gírelo a 90 grados hacia la derecha para fijarlo en su posición (vea el dibujo 8).
2. Una vez que está completamente desinflado, presione el vástago hacia adentro y gírelo 90 grados hacia la izquierda para volver a la posición de inflado.
3. Vuelva a colocar la tapa en su lugar.

NOTA: Consulte la sección de ALMACENAMIENTO a la hora de desinflar el spa para guardarlo.



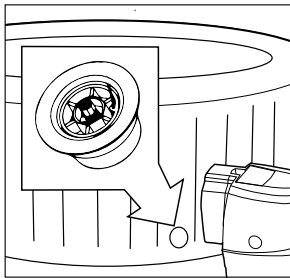
Para la cámara de aire de la cubierta:

1. Tire de la tapa de la válvula y apriete la válvula en su base hasta que se desinfla.
2. Círrrela y vuelva a colocar la válvula en su lugar.

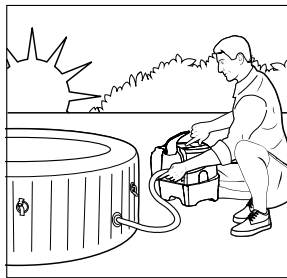


IMPORTANTE

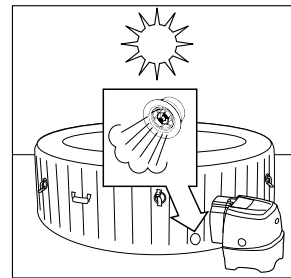
Esta bañera de hidromasaje lleva incorporada la nueva "válvula de reducción de presión de aire", que expulsa automáticamente el exceso de aire cuando la presión interna de la bañera de hidromasaje es de 1,5 a 2,5 psi (de 0,103 a 0,172 bar), manteniendo las funciones originales de inflado y desinflado.



Válvula de liberación de presión de aire.



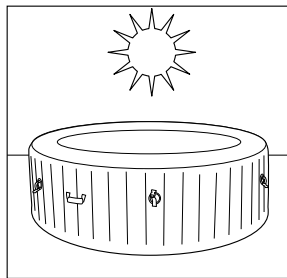
Hinchado de la lona del spa por la mañana.



El aire se expande con el calor del mediodía. La válvula de liberación de presión de aire entra en acción y libera el exceso de aire.

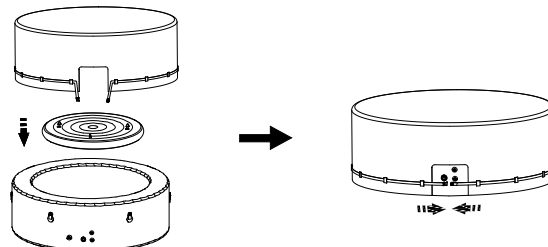


Las temperaturas más frías por la noche, hacen que el spa parezca menos inflado.



El aire se expande con el calor del mediodía y se restablece la presión de aire correcta.

Para #28476:



NOTA: Si la vejiga de aire de la cubierta del spa no encaja en el spa debido a que está demasiado inflado, deje salir algo de aire de la vejiga hasta que encaje.

INSTRUCCIONES DE MONTAJE (cont.)

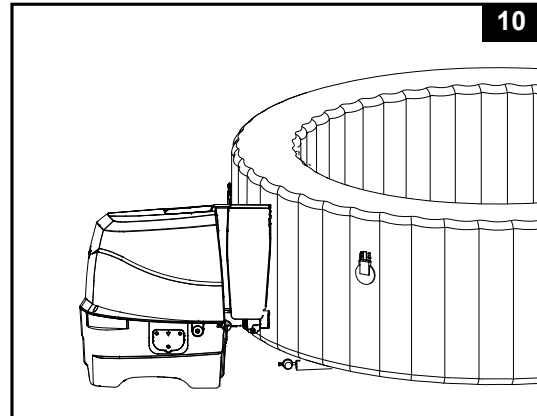
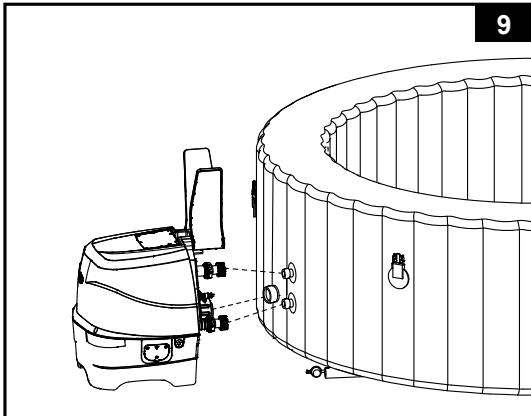
Instalación de la unidad de control del spa

1. Conecte la unidad de control del spa en la bañera del spa (vea el dibujo 9). Apriete bien los conectores a mano. No use herramientas para apretarlos.

NOTA: No enganche nunca accesorios externos no suministrados con este kit en la piscina del spa o en su unidad base de control ya que esto anularía la garantía.

2. Vuelva a colocar las cubiertas laterales de la base de control (4) (vea el dibujo 10).

PRECAUCIÓN: No se siente, apoye o coloque objetos sobre la unidad de control del spa.



3. Coloque el conjunto de la carcasa de los dos cartuchos de filtro en las dos rejillas de salida ubicadas dentro del spa (posición más baja) (vea el dibujo 11). Inflar el cuerpo del spa antes de instalar los componentes del filtro de cartucho.

4. Antes de llenar con agua, verifique que los tapones de las válvulas del desagüe del fondo están bien cerrados por dentro y por fuera.

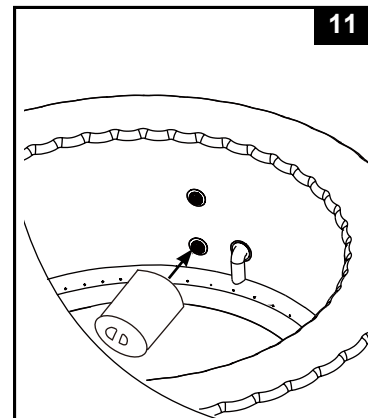
5. Llene la bañera del spa con agua dulce a un nivel entre las marcas MIN y MAX ubicadas en la pared interior del spa. No sobrepase la marca. Nunca mueva el cuerpo del spa cuando ya esté lleno y/o con la base de control conectada porque esto puede causar daños a la base de control o al spa.

ADVERTENCIA: No eche nunca agua a una temperatura superior a 40°C (104°F) directamente en el spa. Se recomienda llenarlo con agua tibia para que se pueda calentar rápidamente y ahorrar energía.

6. Coloque la cubierta del spa y su cámara de aire (preinstalada en la cubierta del spa) sobre la bañera y asegúrese de que las hebillas de la cubierta del spa están cerradas utilizando la llave incluida después de tirar de las correas de las hebillas para tensarlas.

IMPORTANTE: Examine la cubierta del spa con frecuencia para verificar que no hay fugas, desgaste prematura y roturas o deterioro. No use nunca la cubierta del spa si estuviera deteriorada.

7. Asegúrese de que la base del spa esté enchufada a una toma de corriente con la ubicación y el tamaño correctos y pulse el botón (🔌) para encender el panel de control. Presione el botón (🔥) en el panel de control para activar el calentador. Consulte la sección de funcionamiento del «Panel de control del spa».



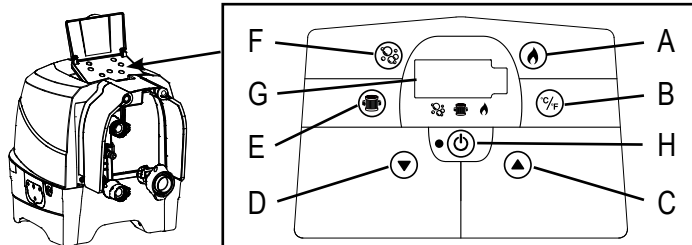
Cubierta del spa

Las hebillas del cobertor son cerradas con llave. Se incluye dos llaves en la bolsa de plástico del manual donde se encuentran también, otros accesorios. Cada hebilla está marcada con símbolos "cerrado" e "abierto": coloque la llave en el lugar apropiado gírela hasta la posición adecuada. Para asegurar que no se podrá acceder al spa sin autorización, siempre cúbralo con el cobertor cuando no esté en uso. Siempre mantenga las llaves fuera del alcance de los niños. En caso de que se pierdan las llaves, se puede usar un destornillador del tamaño similar para abrir y cerrar las hebillas.

Cuando está utilizando el spa, coloque la cubierta en lugar limpio y seco para que no recoja suciedad o bacterias. No coloque la cubierta sobre mesas o plataformas de madera porque la madera podría decolorarse. Se aconseja usar un elevador de cubierta, un soporte o dispositivo similar, para que la cubierta, y en especial la cara sobre el agua, no entre en contacto con el suelo o con superficies sucias.

INSTRUCCIONES DE FUNCIONAMIENTO

PANEL DE LA UNIDAD DE CONTROL DEL SPA



- A: Botón de calor
- B: Programación en grados Celsius/Fahrenheit
- C: Botón de aumento de la temperatura
- D: Botón de disminución de la temperatura
- E: Botón de filtrado del agua
- F: Botón de burbujas
- G: LED de pantalla
- H: Botón de On/Off



Botón de On/Off: Una vez encendida la unidad, utilice este botón para activar los botones del panel de la unidad de control. La luz cerca del botón se pondrá verde cuando el panel esté activado. Presione este botón para apagar todas las funciones activadas en el momento.

NOTA: El botón On/Off puede aparecer como un botón negro en el centro del panel de control.



Botón de calor: Use este botón para activar el sistema de calentamiento. La bomba calentará el agua del spa hasta que la temperatura actual del agua alcance la temperatura fijada. Si la temperatura del agua del spa baja a 1-2°C por debajo de la temperatura configurada, se volverá a poner en marcha el sistema de calentamiento. Cuando la luz roja del indicador del sistema de calefacción del agua esté encendido, este sistema está activado. Cuando esta luz pasa a verde, el agua habrá llegado a la temperatura deseada. Cuando el agua alcanza la temperatura programada, el sistema de calefacción del agua permanece inactivo y la depuradora sigue trabajando ininterrumpidamente.

NOTA: Para detener el sistema de filtrado en cuanto el calentador está inactivo, presionar el botón del sistema de calefacción del agua y, en seguida, el botón de filtración. Al presionar el botón del sistema de calefacción del agua cuando el calentador está inactivo apagará únicamente, el sistema de calentamiento y el sistema de filtrado seguirá funcionando por otras 24 horas antes de que se apague automáticamente.

IMPORTANTE: Las siguientes condiciones llevan a un calentamiento lento del agua.

- La temperatura ambiente es menor de 10°C (50°F).
- La velocidad del viento en el exterior es superior a 3,5-5,4 m/s (8-12 mph).
- La función de burbujas de aire se activa al calentar el agua del spa.
- El spa no está bien cubierto con su cubierta cuando se está calentando el agua.



Programación en grados Celsius/Fahrenheit:

La temperatura puede mostrarse en Fahrenheit o Celsius. El valor del sistema por defecto es Celsius.

NOTA: El ajuste de la temperatura por defecto es de 20°C (68°F). El ajuste de la temperatura varía de 20°C (68°F) a 40°C (104°F).



Botones de ajuste de la temperatura: Pulsando los botones de aumentar o disminuir la temperatura hará que parpadeen los LED. Al parpadear éstos, puede introducir el ajuste de la temperatura deseado. Si mantiene pulsados estos botones, los valores aumentarán o disminuirán rápidamente.

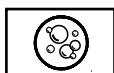
El ajuste de la nueva temperatura deseada permanece en el LED durante 5 segundos para confirmar el nuevo valor.



Botón de filtrado del agua:

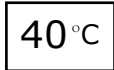
Este botón enciende y apaga la bomba de filtrado. Si el sistema de calentamiento está activado, el sistema de filtrado se pondrá en marcha automáticamente - Esto es normal.

La luz encima del botón de filtrado del agua está verde cuando está activa.



Botón de burbujas: Use este botón para activar el sistema de masaje, con una función de apagado automático a los 30 minutos de funcionamiento. La luz situada encima del botón de burbujas se pone verde cuando el sistema está activado.

CUIDADO: No use el sistema de burbujas cuando la cubierta está puesta ya que se puede acumular aire dentro del spa y causar daños irreparables y lesiones corporales.




LED de pantalla: Una vez encendido, el LED muestra automáticamente la temperatura actual del agua.

NOTA: la función del sistema de tratamiento de agua dura funciona automáticamente junto con el sistema de filtración.

⚠ ADVERTENCIA

NUNCA use el spa si la temperatura indicada es superior a 104°F (40°C).

CUADRO DE CÓDIGOS LED

Lectura LED	CAUSA	SOLUCIONES
E90	No hay flujo de agua	<ul style="list-style-type: none"> • Apague y desenchufe la unidad de control. • Asegúrese de que la rejilla de la cubierta de la entrada está limpia y libre de obstáculos. • Limpie o reemplace el cartucho. Consulte la sección "Mantenimiento y Almacenamiento". • Verifique que las conexiones de entrada y salida de la bañera del spa y de la bomba del filtro no están bloqueadas. • Mantener el agua del spa adecuadamente limpia para asegurar que el cartucho se mantiene limpio y evitar que se obstruya. • Si el problema persiste, póngase en contacto con el Servicio de atención al cliente de Intex para su sustitución.
E94	La temperatura del agua es demasiado baja.	<ul style="list-style-type: none"> • Si la temperatura del ambiente está por debajo de los 4°C le recomendamos que no use la sauna o la bomba. • Apague y desenchufe la unidad de control, añadir un poco de agua templada para aumentar la temperatura del agua alrededor de 5°C (41°F), entonces, presionar el botón  para calentar el agua hasta la temperatura deseada. • Si el problema persiste, póngase en contacto con el Servicio de atención al cliente de Intex para su sustitución.
E95	La temperatura del agua es demasiado elevada	<ul style="list-style-type: none"> • Apague y desenchufe la unidad de control. Cuando el agua se haya enfriado, enchufe la RCD y reinicie el sistema. • Apagar el calentador y, en seguida, presionar los botones de filtrado y burbujas para disminuir la temperatura del agua. • Si el problema persiste, póngase en contacto con el Servicio de atención al cliente de Intex para su sustitución.
E96	Error del sistema	<ul style="list-style-type: none"> • Apague y desenchufe la unidad de control. Encender el sistema de protección RCD y reiniciar el sistema. • Si el problema persiste, póngase en contacto con el Servicio de atención al cliente de Intex para su sustitución.
E97	Protección contra puesta en marcha en vacío	<ul style="list-style-type: none"> • Póngase en contacto con el Servicio de atención al cliente de Intex para su sustitución.
E99	El sensor de temperatura se ha roto	<ul style="list-style-type: none"> • Si el problema persiste, póngase en contacto con el Servicio de atención al cliente de Intex para su sustitución.
END	Después de 72 horas de operación continua de calentamiento, la bomba hibernará automáticamente. Las funciones rápidas de calentamiento y filtraje de agua estarán deshabilitadas.	<ul style="list-style-type: none"> • Presione el botón del filtro del agua para reactivar la bomba del filtro.

CONSEJOS PARA MINIMIZAR LA PÉRDIDA DE CALOR Y EL CONSUMO ENERGÉTICO

- 1) Mantenga siempre la cubierta del spa puesta para minimizar la pérdida de calor entre usos (pero no cuando lo está utilizando). Compruebe que la cubierta está bien encajada, siguiendo las instrucciones del fabricante, para optimizar el aislamiento. Se recomienda mantener la cubierta sin tocar el suelo cuando no la esté utilizando para que no se ensucie (especialmente la cara que queda da al agua del spa). Guarde la cubierta en lugar adecuado donde no pueda dañarse o causar daños.
- 2) Compruebe la temperatura configurada del spa y piense en bajarla cuando no está usándolo.
- 3) Dependiendo de las condiciones externas, piense en apagar el calentador completamente si no va a utilizar el spa por un largo periodo de tiempo. (si el spa posee esta opción, pero sigue manteniendo una desinfección residual/los valores de pH).
- 4) Tenga en cuenta que la gama de temperatura cómoda durante el uso podría ser inferior a la temperatura máxima de seguridad.
- 5) Use el tejido suministrado para aislar el spa del suelo para minimizar la pérdida de calor por el fondo del spa.
- 6) Mantenga limpios los filtros para que la bomba esté en condiciones óptimas de funcionamiento y así evitar tener que reemplazar y volver a calentar el agua si no es necesario.

MANTENIMIENTO DE LA PISCINA & DESAGÜE

⚠ ADVERTENCIA

Desenchufe siempre este producto de la toma de corriente antes de retirarle piezas, limpiarlo, repararlo o hacerle cualquier tipo de ajuste.

Saneamiento del agua

El propietario del spa debe comprobar regularmente el agua y desinfectarla con un mantenimiento periódico (todos los días si fuera necesario). Al agregar un producto desinfectante, u otro producto químico, se controlarán las bacterias y los virus presentes en el agua. El mantenimiento del equilibrio del agua mediante un desinfectante adecuado es el factor más importante para mantenerla limpia, sana y segura. Es necesario tener una técnica apropiada para comprobar y tratar el agua del spa. Consulte con un profesional de piscinas/spas para que le aconsejen qué productos químicos, desinfectantes, kits de pruebas y procedimientos debe usar.

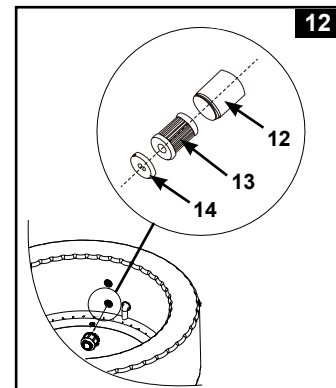
CUIDADO: SIGA SIEMPRE LAS INSTRUCCIONES DEL FABRICANTE DE PRODUCTOS QUÍMICOS Y LOS AVISOS SOBRE SALUD Y RIESGOS.

No ponga productos químicos mientras la spa esté ocupada. Se le puede irritar la piel o los ojos. Las soluciones concentradas de cloro pueden dañar la bañera del spa. Intex Recreation Corp., Intex Development Co. Ltd. y empresas relacionadas, agentes autorizados y centros de servicio, comercios detallistas o empleados, no serán responsables ante el comprador por costes asociados con la pérdida del spa, productos químicos o daños producidos por el agua.

Mantenimiento del agua del spa y del cartucho

Proteja a los usuarios del spa contra posibles enfermedades causadas por el agua manteniéndola limpia y desinfectada. Mantenga siempre una buena higiene. Para asegurarse de que la calidad del agua del spa es la apropiada siga estos procedimientos:

1. Examine y limpie el cartucho del filtro todos los días y cámbielo cada 3 días.
 - a. Desenrosque la carcasa del cartucho de la pared de la bañera del spa y saque el cartucho (vea el dibujo 12).
 - b. Use una manguera de jardín para enjuagar el cartucho. Si siguiera estando sucio y decolorado, deberá reemplazarlo. Tenga siempre a mano cartuchos de repuesto.
 - c. Vuelva a colocar el cartucho limpio en su carcasa y coloque la carcasa en su lugar en la pared de la bañera del spa.
2. Cambiar el agua del SPA a cada 2 semanas. Para más detalles, consulte las secciones "Vaciado de la bañera del spa" y "Limpieza de la bañera del spa".
3. Use productos químicos para spa para mantener el agua en condiciones. Los daños causados al spa por un uso indebido de productos químicos o por un manejo inadecuado de su agua, no están cubiertos por la garantía.
4. Todos los usuarios deben ducharse antes de entrar en el spa.



Equilibrio del estado químico del agua

Mantenga el nivel del pH del agua del spa entre 6,8 y 7,6, con el nivel de alcalinidad total entre 60 y 120 ppm y el nivel libre de cloro entre 2 y 4 ppm. Use las tiras de test para comprobar el estado químico del agua antes de usar el spa y vuelva a comprobarlo una vez a la semana.

Las cintas de test sirven para comprobar, al mismo tiempo, los niveles de "Cloro Libre", "pH", "Alcalinidad total" y "Dureza del agua":


1. Sumerja toda la tira en el agua y retírela de forma inmediata.
2. Mantenga la tira nivelada durante 15 segundos (no quite el exceso de agua de la tira).
3. Compare el cloro libre, el pH y la alcalinidad total de la tira con el cuadro de colores que se adjunta en la etiqueta del embalaje. Ajuste el agua de la piscina si fuera necesario.

NOTA: Compruebe la fecha de caducidad del kit de comprobación ya que los resultados pueden no ser correctos si el kit está caducado. Un pH bajo puede dañar la bañera y la bomba del spa. Los daños causados por desequilibrios químicos no están cubiertos por la garantía.

Utilice el dispensador flotante de productos químicos para administrar el cloro [tamaño de la tableta de producto químico: menos de 1" (2,5 cm) de diámetro] Siga siempre las instrucciones del fabricante. Añadir 1 pastilla al compartimiento. Saque el dispensador flotante de productos químicos cuando esté usando el spa.

No deje que el cloro entre en contacto con la bañera del spa si no está completamente disuelto.

Enjuague todas las tuberías con agua tratada activando la función de burbujas durante una hora todos los días.

IMPORTANTE: Presione el botón  del panel de control del spa para encender el soplador de burbujas de aire y ayudar a que se disuelvan los productos químicos en el agua.

No mezcle nunca productos químicos. Échelos en el agua por separado. Disuelva los productos uno a uno completamente antes de echar el siguiente.

PRODUCTOS QUÍMICOS Y CONTROL DEL AGUA

Parámetro	Valore ^a
Claridad del agua	Visión nítida del fondo
Alcalinidad total (TA) en mg/l	60 - 120
Dureza del calcio (CaCO ₃) en mg/l	150 - 250
Color del agua	No debe tener color ^{b, c}
Turbidez en FNU/NTU	Máx. 1.5 (preferiblemente menos de 0,5)
Concentración de nitratos por encima de la del agua de llenado en mg/l	diferencia máxima de 20 comparado con la concentración del agua de relleno
Carbono orgánico total (TOC) en mg/l ^d	Máx. 4.0
Redox potential against Ag/AgCl 3.5 M KCl en mV	Min. 650
Valor ^{e, f} de pH	6.8 - 7.6
Cloro activo libre (sin ácido cianúrico) en mg/l	0.3 - 1.5 ^g
Bromo en mg/l	2.0 - 4.0 ^h

Cuando se utilicen desinfectantes alternativos, deberán considerarse otros parámetros apropiados.

- a Consulte las normativas y directrices nacionales para saber si está todo conforme.
 b Las fuentes de agua naturales podrían introducir coloración en el agua.
 c Se excluye la coloración del agua a propósito.
 d Cuando se utilicen compuestos orgánicos, este valor podría ser mayor.
 e Sujeto al (a los) floculante(s) utilizado(s) (si se aplicara alguno).
 f Cuando el pH es superior a 7,5 el cloro libre activo es inferior al 50 %.
 g La concentración normal aconsejada de cloro libre en productos acuáticos es de 0,3 a 1,5 mg/l. Sin embargo, para asegurar la higiene del agua del spa, con agua caliente y una proporción baja de su volumen en relación al usuario, es aceptable que esta concentración se exceda de forma temporal con una dosificación manual, siempre que la salud del usuario no se vea comprometida por ello. Por tanto, una gama de 2,0 a 4,0 mg/l es aceptable y también recomendada por la Agencia de Protección del Medioambiente y por el Centro de Control de Enfermedades de EE.UU. No utilice ácido cianúrico.
 h Exceder los límites de forma temporal debido a una dosificación manual y a la baja proporción del volumen de agua en relación al usuario es aceptable, siempre que la salud del usuario no se vea comprometida.

Preste atención al realizar tratamientos químicos al agua, y en especial a los límites de los desinfectantes y valores de pH. El uso de ozono o UV, si es aplicable, debe estar siempre acompañado de desinfección residual con un biocida oxidante (Por ejemplo: cloro o bromo, u otros productos biocidas compatibles con las recomendaciones del fabricante).

El uso incorrecto de productos químicos puede degradar, dañar y deteriorar la superficie del spa y de sus componentes (generalmente causarán decoloración de los materiales y corrosión de las piezas metálicas).

Libre de cloro: es el cloro residual presente en el agua del spa.

Si el resultado es demasiado bajo – nivel inadecuado de desinfección.

Si el resultado es demasiado elevado – problemas de olor, irritación de piel y ojos, corrosión de metales y otros materiales.

pH: Valor que indica si el agua del Spa es ácida o básica.

Si el resultado es demasiado bajo – Corrosión de metales, e irritación cutánea y ocular, y destrucción total de la alcalinidad.

Si el resultado es demasiado elevado – Acumulación de cal, agua turbia, poca eficacia del filtro/calentador, irritación de ojos y piel, baja eficiencia del cloro.

Alcalinidad total (TA): Indica el grado de la resistencia del agua al cambio de pH. Determina la velocidad y la facilidad del cambio de pH, por lo que siempre hay que ajustar la alcalinidad total antes que el nivel de pH. Si el resultado es demasiado bajo – Corrosión en metales, irritación cutánea y ocular. Una baja alcalinidad provocará la inestabilidad del pH.

Si el resultado es demasiado elevado – Acumulación de cal, agua turbia, poca eficacia del filtro/calentador, irritación de ojos y piel, alta demanda de cloro.

PRODUCTOS QUÍMICOS Y CONTROL DEL AGUA (cont.)

Dureza del calcio (CaCO₃): Se refiere a la cantidad de calcio y magnesio disueltos en el agua.

Si el resultado es demasiado bajo – Dificultad en equilibrar el agua, corrosión de componentes de metal, irritación de ojos y piel y presencia de espuma en el agua.

Si el resultado es demasiado elevado – Acumulación de cal, agua turbia, irritación de ojos y piel, dificultad en equilibrar el agua e ineficacia del filtro/calentador.

Índice de saturación (SI): temperatura, concentración de calcio, alcalinidad total y pH representan los principales factores causantes de la acumulación de cal. La tendencia del agua a acumular cal o a la corrosión es indicada en el Índice de Saturación (SI):

$$SI = pH + TF + CF + AF - 12.1$$

*Dónde: TF = Factor Temperatura; CF = Factor de Dureza Calcárea; AF = Factor de Alcalinidad Total

Temperatura del agua		TF	Dureza del calcio (ppm)	CF	Alcalinidad total (ppm)	AF
(°C)	(°F)					
8	46	0.2	75	1.5	50	1.7
12	54	0.3	100	1.6	75	1.9
16	61	0.4	150	1.8	100	2.0
19	66	0.5	200	1.9	150	2.2
24	75	0.6	250	2.0	200	2.3
29	84	0.7	300	2.1	300	2.5
34	93	0.8	400	2.2	400	2.6
40	104	0.9	500	2.3	--	--

Obtenga el pH del agua, la Temperatura, la cantidad de cal y los niveles de Alcalinidad total. Use los factores equivalentes en la ecuación SI.

SI = 0, Equilibrio

Si SI > 0, tendencia a agua turbia o con cal.

Si SI < 0, tendencia a la corrosión de metales e irritación de los ojos y la piel.

El SI es considerado satisfactorio si los valores se sitúan entre -0.3 y +0.3, siendo 0 la condición ideal.

Control del Agua del SPA

Cómo adecuar los factores químicos del agua cuando los niveles están fuera de rango. **ATENCIÓN:** Siga siempre las instrucciones de los fabricantes de productos químicos y los avisos de peligro y salud.

Control de la Alcalinidad Total (TA)

Retire la cubierta del Spa para airear el agua y usar los tests de equilibrio incluidos para comprobar los niveles químicos. Asegúrese, primeramente, de que el nivel de cloro presente en el agua está entre 2-4 ppm, ya que el nivel de cloro afectará el resultado del test de TA.

Si el nivel de alcalinidad total (AT), y no el del pH, es superior a 120 ppm, agregue el producto químico apropiado para bajar el nivel de AT.

Si el nivel de alcalinidad total (AT) es inferior a 60 ppm, agregue el producto químico apropiado para subir el nivel de AT.

NOTA: Después de hacer el control del agua, vuelva a hacer la prueba pasadas 24 horas y, caso sea necesario, vuelva a efectuar el procedimiento de control.

Control de pH

Una vez que la alcalinidad total se ha bajado a 120 ppm o elevado a 80 ppm, y el pH es todavía alto o bajo, agregue el producto químico adecuado para ajustar el nivel de pH entre 6,8 y 7,6.

Control de la dureza del agua


Use las tiras de comprobación incluidas para verificar el nivel de dureza del agua y ajustarlo con el producto químico adecuado.

ADVERTENCIA

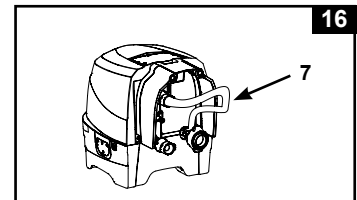
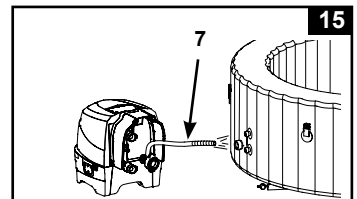
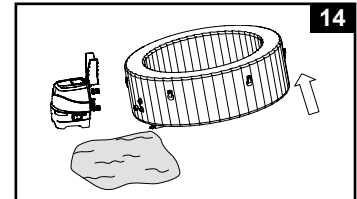
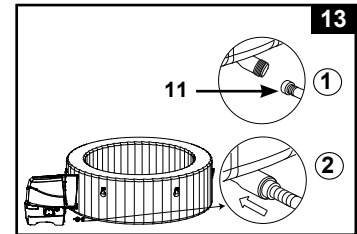
Manipule todas las sustancias químicas con extremo cuidado y utilice siempre equipos protección personal adicionales, tales como gafas y guantes de seguridad. Es muy importante que el ácido no entre en contacto con la piel, los ojos o con la ropa.

MANTENIMIENTO

Vaciado de la bañera del spa

1. Apague la unidad de control del spa.
2. Conecte el adaptador de la válvula del desagüe a una manguera de jardín y apunte su otro extremo hacia un área de vaciado apropiada.
3. Retire la tapa de la válvula del desagüe de la parte exterior de la bañera del spa y coloque el adaptador de la válvula del desagüe en la misma (vea el dibujo 13).
4. Desde dentro de la bañera del spa, abra la tapa de la válvula del desagüe y el agua comenzará a salir por la manguera de jardín.
5. Una vez que el agua ha terminado de salir, desconecte la unidad de control del spa de la pared de la bañera del spa. Levante la pared de la bañera del spa desde la parte opuesta al desagüe para que salga el agua restante y se vacíe completamente (vea el dibujo 14).
6. Conecte la manguera de hinchado (7) a la válvula de salida de aire en la unidad de control.
7. Encienda el spa y presione el botón , coloque la manguera de hinchado en las válvulas de entrada/salida del spa y en la unidad de control para vaciar cualquier resquicio de agua en el sistema de tuberías (vea los dibujos 15 y 16).
8. Use una toalla limpia para secar el resto del agua y humedad de la bañera del spa y de la unidad de control.
9. Verifique que la bañera del spa y la unidad de control están completamente secas.

NOTA: Los tapones incluidos (15) se pueden usar para cubrir los conectores de la entrada y salida de agua desde dentro de la bañera del spa para evitar que se salga el agua.



Limpieza de la bañera del spa

Si hubiera suciedad en el agua o se pone turbia y los productos químicos no la limpian, cambie el agua y limpie la bañera del spa. Consulte la sección "Vaciado de la bañera del spa" para saber cómo vaciarla.

Con la bañera vacía, retire la carcasa del cartucho de dentro de la pared de la misma y limpie y/o reemplace el cartucho del filtro. Use una esponja y una solución con un jabón suave para limpiar la suciedad o las manchas de las paredes del spa. A continuación, enjuáguela bien antes de volver a llenarla con agua.

IMPORTANTE: No use estropajos de metal, cepillos duros o limpiadores abrasivos.

Retirada de la biopelícula

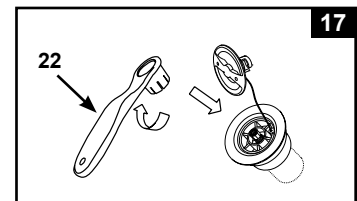
Consulte con su distribuidor profesional de spas para que le aconseje y suministre productos para retirar la biopelícula.

Apretado de la válvula de aire de la bañera del spa

Compruebe que la válvula de aire de la bañera del spa no tiene fugas y está bien apretada antes de usar el producto. Si se escapa el aire de la válvula, use la llave incluida (22) para apretarla de la siguiente forma:

1. Asegúrese de que la bañera del spa está desinflada, abra la tapa de la válvula del aire e inserte la llave (22) en la válvula (vea el dibujo 17).
2. Con una mano, sujete la parte posterior de la base de la válvula desde dentro de la bañera y gire la llave (22) en sentido horario.

IMPORTANTE: Nunca ajuste la base de la válvula cuando está usando el spa o cuando está lleno de agua. Solamente utilizar la llave de la válvula de aire cuando la válvula no esté bien apretada o haya alguna fuga de aire por ella. No apretar demasiado fuerte la válvula ya que se le puede causar daños. El nivel de apriete debe ser el que permita que la válvula esté ajustada y no haya fugas.



Cubierta del spa

Examine la cubierta del spa con frecuencia para asegurarse de que no tiene fugas, desgastes prematuros, daños o signos de deterioro. No usar nunca una cubierta desgastada o deteriorada: no proporcionará el nivel de protección necesario para evitar que los niños tengan acceso a ella cuando no hay vigilancia.

Limpie regularmente la cubierta por dentro y por fuera con una esponja y una solución adecuada para su desinfección (10 mg por litro de cloro libre). No use estropajos metálicos, cepillos duros o limpiadores abrasivos.

MANTENIMIENTO (cont.)

Entorno del spa

Las áreas de relax que rodean al spa y donde se camina descalzo deben limpiarse a menudo. No debe caer agua de limpieza dentro del spa o en su ciclo de agua. Limpie bien la suciedad y agentes de limpieza de los alrededores del spa.

Reparación de la bañera del spa y de la cámara de aire de la cubierta

Use el parche de reparación incluido para reparar cualquier perforación:

- Limpie y seque completamente el área que va a reparar.
- Retire la lámina de papel de la parte posterior del parche y presiónelo con firmeza sobre la perforación. Alise la superficie y elimine las burbujas de aire que pudiera tener debajo del parche.

ALMACENAJE

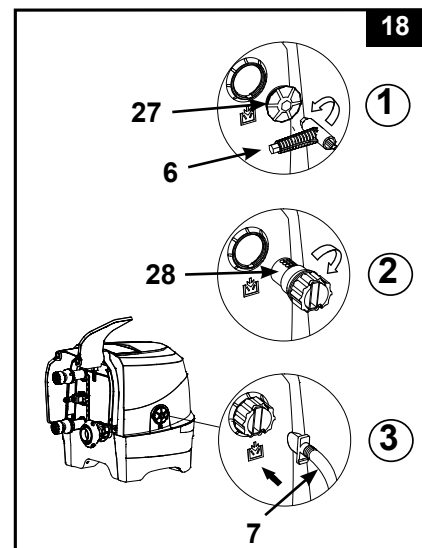
En lugares donde se dan temperaturas bajo cero, vacíe, limpie, desmonte y guarde el spa y sus componentes en interiores cuando la temperatura baje de 4°C (39°F).

1. Seque y limpie el spa siguiendo las instrucciones de las secciones "Vaciado de la bañera del spa" y "Limpieza de la bañera del spa".
2. Siga las instrucciones a la inversa para desinflar y desmontar la bañera del spa, la unidad de control y la cámara de la cubierta.
3. Para deshinchar el Spa y el cobertor:

- a) Abrir la tapa del orificio de salida de aire (27) con la llave incluida (6) (véase figura 18).
- b) Introducir el adaptador de la manguera (28) en el orificio de salida de aire.
- c) Introducir la manguera de hinchado (7) en adaptador de la manguera (28).
- d) Introducir la otra parte de la manguera en la válvula de aire del cuerpo del Spa o del cobertor.
- e) Presionar el botón de burbuja de aire para deshinchar el Spa.
- f) Cuando el proceso de deshinchado se haya completado, hacer el proceso en sentido contrario y asegurarse de que la tapa de salida de aire (27) está cerrada correctamente.

Cuidado: Utilizar solamente para los propósitos descritos en este manual. Evitar el contacto de la manguera de hinchado con el agua o pequeños objetos en cuanto la función de deshinchado esté activada para evitar daños al motor.

4. Asegúrese de que todos los componentes del spa y sus accesorios están completamente limpios y secos antes de almacenarlos. Deje secar el spa al aire al sol durante una hora antes de plegarlo.
5. Pliegue el spa holgadamente y tome cuidado con las esquinas afiladas para evitar que su revestimiento sufra daños y prevenir fugas.
6. Prepare cartuchos nuevos adicionales para usar la próxima vez.
7. Almacene la piscina del spa y los accesorios en interiores, en lugar seco y con una temperatura controlada entre 0° - 40°C (32° - 104°F).
8. Puede utilizar la caja original para guardarla.



GUIA DE SOLUCIONES RAPIDAS

PROBLEMA	CAUSA	SOLUCIONES
PANTALLA APAGADA/UNIDAD DE CONTROL NO FUNCIONA	<ul style="list-style-type: none"> • El Spa esta desconectado o apagado. • Conector del cable del panel de control no está acoplado correctamente. • Fallo en la alimentación. • El RCD se ha activado. • El RCD está roto. 	<ul style="list-style-type: none"> • Asegúrese de que el spa está conectado y encendido. • Asegúrese de que el conector del panel de control está acoplado firmemente al alojamiento de la base de control. • Compruebe la fuente de alimentación. • Reinicie el RCD. • Póngase en contacto con el Servicio de atención al cliente de Intex para su sustitución.
EL DISYUNTOR SALTA	<ul style="list-style-type: none"> • Disyuntor de potencia inferior. • Sobrecarga del disyuntor. • Fallo en la línea del sistema eléctrico. 	<ul style="list-style-type: none"> • Asegúrese de utilizar los disyuntores apropiados. • Proporcione un disyuntor únicamente para la conexión del sistema de spa. • Contacte a un electricista profesional para corregir el fallo eléctrico.
NO CALIENTA CORRECTAMENTE	<ul style="list-style-type: none"> • La temperatura del agua fijada es demasiado baja. • El cartucho del filtro está sucio. • Bajada de la temperatura del agua durante el modo STANDBY del calentador. • Ha fallado el elemento de calentamiento. 	<ul style="list-style-type: none"> • Aumente la temperatura y conecte el cobertor del spa. • Limpie/cambie el cartucho del filtro con los intervalos indicados. • Si el calentador estuviera en STANDBY, presionar dos veces el botón del sistema de calefacción del agua para que el agua alcance la temperatura deseada. • Póngase en contacto con el Servicio de atención al cliente de Intex para su sustitución.
EL SOPLADOR DE BURBUJAS DE AIRE NO FUNCIONA	<ul style="list-style-type: none"> • La bomba está demasiado caliente. 	<ul style="list-style-type: none"> • Apague y desenchufe el spa. Deje que se enfríe y vuelva a iniciar el sistema. • Póngase en contacto con el Servicio de atención al cliente de Intex para su sustitución.
MOTOR DE FILTRACIÓN NO FUNCIONA	<ul style="list-style-type: none"> • El cartucho del filtro está sucio. • Válvulas de entrada o salida del sistema de filtración obstruidas. • Motor de filtración no funciona. 	<ul style="list-style-type: none"> • Limpie/cambie el cartucho del filtro con los intervalos in. • Verifique y limpie las salidas y entradas del sistema de filtración regularmente. • Póngase en contacto con el Servicio de atención al cliente de Intex para su sustitución.
AGUA NO LIMPIA	<ul style="list-style-type: none"> • Cartucho no montado correctamente. • Tiempo de filtrado insuficiente • El cartucho del filtro está sucio • Mantenimiento de agua no adecuado. • Entradas y salidas del sistema de filtración obstruidas. 	<ul style="list-style-type: none"> • Asegúrese de que el cartucho está acoplado correctamente. • Aumente el tiempo de filtrado. • Limpie/cambie el cartucho del filtro. • Mantener el agua adecuadamente limpia. Póngase en contacto con el Servicio de atención al cliente de Intex para su sustitución. • Verifique y limpie regularmente las válvulas de entrada y salida del sistema de filtración.
LOS ADAPTADORES DE LA BOMBA NO ESTÁN AL MISMO NIVEL QUE LOS ADAPTADORES DEL SPA	<ul style="list-style-type: none"> • Una de las características del PVC es que cambia de forma, lo que es normal. 	<ul style="list-style-type: none"> • Eleve la bomba con una madera o con otro tipo de material aislante para llevar al mismo nivel los adaptadores de la bomba y los del spa.
LA BAÑERA POSEE UNA FORMA EXTRAÑA	<ul style="list-style-type: none"> • Tiene presión de aire extra debido a la exposición a un sol fuerte. 	<ul style="list-style-type: none"> • No exponer el Spa a la luz solar directa <u>durante</u> largos períodos. • Compruebe la presión de aire y saque una parte si fuera necesario. Cuando haga mucho calor, compruebe si fuera necesario liberar parte del aire del producto. Para evitar posibles daños a la bañera.

GUIA DE SOLUCIONES RAPIDAS (cont.)

PROBLEMA	CAUSA	SOLUCIONES
LA BAÑERA PIERDE PRESIÓN DE AIRE	<ul style="list-style-type: none"> Fuga en la tapa de la válvula aire. Fuga en la base de la válvula de aire. La bañera del spa está rasgada o perforada. 	<ul style="list-style-type: none"> Asegúrese de que la tapa de la válvula está correctamente cerrada. Llene el spa con aire y asegúrese de que la válvula de aire está bien cerrada, vea "Ajuste de la Válvula de Aire del Spa". Eche agua y jabón líquido en una botella de spray y pulverice las costuras. Si hubiera una fuga verá salir burbujas. Una vez que ha encontrado la fuga, limpie y seque el área y coloque un parche de reparación incluido con el spa.
FUGA ENTRE LOS CONECTORES DEL SPA Y LOS CONECTORES DE LA UNIDAD DE CONTROL	<ul style="list-style-type: none"> Las conexiones de la unidad de control de entrada/salida no están bien apretadas. La arandela de control de entrada/salida del spa no se encuentra en su lugar. El motor del Spa no funciona. 	<ul style="list-style-type: none"> Apriete las conexiones de la entrada y salida. Cubra la arandela con vaselina para impermeabilizarla. Retire el cuadro del interior del spa con la ayuda de un destornillador, asegúrese que los anillos en la entrada y salida están en su sitio, limpios y sin daño alguno. Reemplazar el motor de filtrado por un motor nuevo.
HAY DEMASIADO RUIDO EN EL MODO DE FILTRACIÓN	<ul style="list-style-type: none"> Componentes de la base de control no conectados correctamente. Base de control posicionada en el suelo no nivelado y firme. 	<ul style="list-style-type: none"> Asegúrese de que el panel de control, el cobertor y todas las válvulas de entrada/salida están conectados de manera segura. Asegúrese que el suelo está nivelado, firme y liso.
LA PRESIÓN DEL AIRE ES DÉBIL DURANTE EL INFLADO	<ul style="list-style-type: none"> Falta el aro del adaptador de la manguera. El adaptador de la manguera de inflado no está bien fijado. La conexión entre el adaptador de la manguera y la salida del soplador de aire, y entre la manguera de inflado y la válvula de inflado, está floja. Fallo del soplador de aire. 	<ul style="list-style-type: none"> Verifique que la arandela se encuentra en su lugar y que no está dañada. Apriete/Vuelva a instalar el adaptador de la manguera. Apriete con los dedos durante el inflado. Póngase en contacto con el Servicio de atención al cliente de Intex para su sustitución.
LAS BURBUJAS DE AIRE NO SON TAN POTENTES COMO ANTES	<ul style="list-style-type: none"> Falta el aro entre las conexiones de la salida de aire de la base de control y la entrada de aire del spa. La tuerca de la conexión de aire no está bien fijada. Hay una burbuja de aire en el canal de paso dentro del spa roto o con fugas. Fallo del soplador de aire. 	<ul style="list-style-type: none"> Verifique que la arandela se encuentra en su lugar y que no está dañada. Apriete todas las tuercas con los dedos. Use un parche de reparación para reparar pinchazos. Póngase en contacto con el Servicio de atención al cliente de Intex para su sustitución.

IMPORTANTE

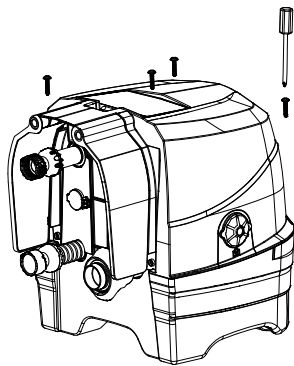
Si continua con problemas, contacte con el Servicio de Atención al Cliente. Ver hoja con "Centros Autorizados de Atención".

DESMONTAJE DEL MOTOR DE LA DEPURADORA DE CARTUCHO

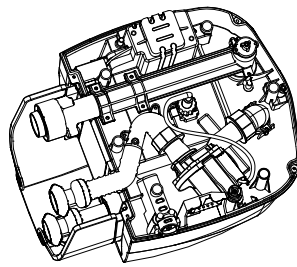
Si es necesario reemplazar el filtro del motor (solo por un técnico cualificado), siga los pasos siguientes para desmontarlo.

IMPORTANTE: Deberá vaciar el agua restante del interior de sistema de tuberías de la base de control antes de reemplazar cualquier pieza.

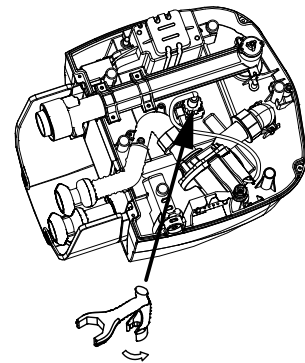
Herramientas necesarias: Una llave ajustable & una desatornillador Phillips.



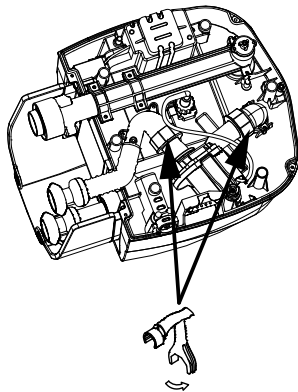
1



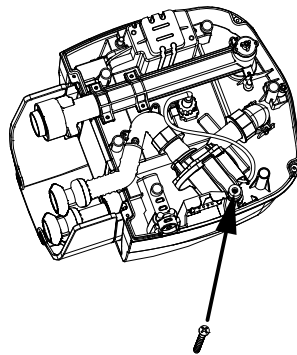
2



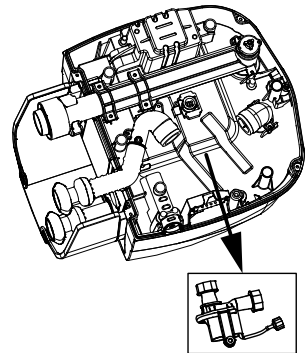
3



4



5



6

ADVERTENCIA: La "herramienta con llave especial" se incluye con el reemplazo del motor del nuevo motor de la depuradora y no va incluido con el conjunto de spa.

GARANTÍA LIMITADA

PureSpa ha sido fabricado con materiales de la más alta calidad y mano de obra. Todos los productos Intex han sido cuidadosamente examinados para comprobar que no tienen ningún defecto antes de salir de la fábrica. Esta garantía limitada solo es aplicable al PureSpa mencionado abajo.

Esa garantía limitada es un anexo, y no un sustituto para sus derechos y recursos legales. En la medida en que esta garantía sea incompatible con sus términos legales, tales términos tienen prioridad. Por ejemplo, la ley de consumidores de la Unión Europea establece derechos de garantía adicionales a los cubiertos por esta garantía limitada: para información sobre la ley de consumidores, por favor, visite la página del Centro de la Comunidad Europea en http://ec.europa.eu/consumers/ecc/contact_en/htm.

La cláusula de garantía sólo concierne al comprador y no es transferible. El período de garantía es por un (1) año desde la fecha de la compra. Conserve su ticket de compra junto con este manual para probar de esta manera su compra en caso de que le sea requerido y siempre debe acompañar a las reclamaciones en garantía en caso contrario será invalidada dicha garantía.

Garantía PureSpa - 1 año

Si el defecto de fabricación se encuentra dentro de los plazos que se señalan anteriormente, por favor, póngase en contacto con el correspondiente Centro de Servicio de Intex que aparece en la hoja "Centros Autorizados de Atención". Si el producto es devuelto por el Servicio de Intex, éste inspeccionará el producto y determinará la validez de la reclamación. Si el ítem estuviera cubierto por lo previsto en la garantía, el artículo será reparado o sustituido, por un artículo igual o semejante (por elección de Intex) sin ningún coste para Usted.

Cualquier otra garantía, y cualquier otro derecho legal de su país, no implican garantías adicionales. En la medida del posible en su país, en ningún caso Intex será responsable por Usted o cualquier tercera parte por los daños directos o indirectos causados fuera del ámbito de utilización de su PureSpa, o de las acciones de Intex o sus agentes y empleados (incluyendo la fabricación del producto). Algunos países o jurisdicciones no permiten la exclusión o limitación de los daños y perjuicios consiguientes o fortuitos, por lo que la limitación o exclusión citada anteriormente puede no corresponder en su caso.

Usted debe ser consciente que esta garantía limitada no es aplicable a las siguientes circunstancias:

- Si el PureSpa fuera objeto de negligencia, utilización o aplicación anormal, accidente, operación inadecuada, arrastre o remolque, mantenimiento o almacenaje inapropiados;
- Si el PureSpa es objeto de defecto en circunstancias que se encuentren fuera del alcance de Intex, incluyendo, pero no limitado a uso y desgaste comunes y daños causados por exposición a fuego, inundaciones, congelación, lluvias o fuerzas externas de la naturaleza;
- Si el PureSpa se utiliza para fines comerciales;
- A las partes y componentes no vendidos por Intex; y/o
- A alteraciones, reparaciones o desmontaje no autorizados del PureSpa por cualquier persona ajena al Servicio Técnico de Intex.

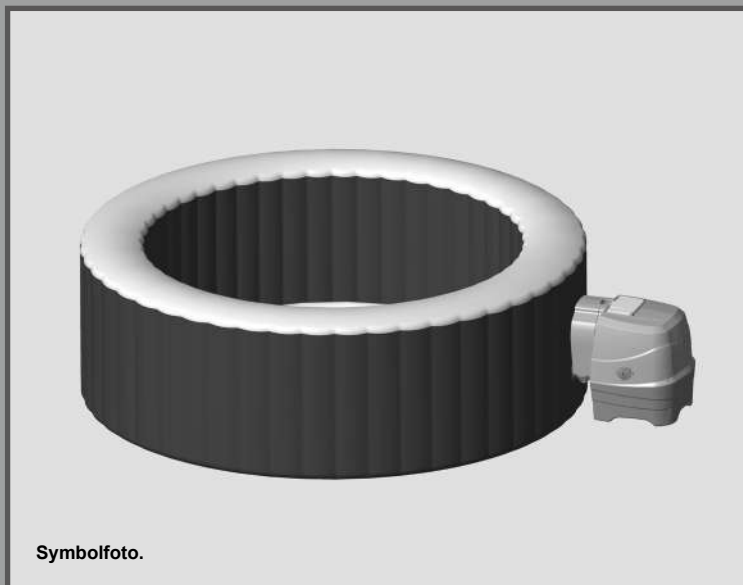
Los costes relacionados con la pérdida del agua de la piscina, daños químicos o de agua no están cubiertos por la garantía. Lesiones o daños a personas tampoco son cubiertos por la garantía.

Leer el manual del propietario con atención y seguir todas las instrucciones referentes a la operación y mantenimiento apropiados de su PureSpa. Revise siempre su producto antes de su utilización. Su garantía limitada puede invalidarse si no sigue las instrucciones.

**WICHTIGE
SICHERHEITSHINWEISE**

Lesen, verstehen und befolgen Sie die Anweisungen genau, bevor Sie das Produkt installieren und benutzen. Für späteres Nachschlagen aufbewahren.

**PureSpa™
SB-H20**



Symbolfoto.

Vergessen Sie nicht, diese anderen ausgezeichneten Intex-Produkte auszuprobieren: Pools, Pool-Zubehör, aufblasbare Pools und In-Home Spielwaren, Luftbetten und Boote, erhältlich im Fachhandel oder Sie besuchen uns auf unserer Homepage.

Wegen der Politik der kontinuierlichen Produktverbesserung behält sich INTEX das Recht vor, Daten, Erscheinungsbilder oder Updates (Produktspezifikationen) jederzeit ohne Vorankündigung zu ändern!

INTEX®

©2020 Intex Marketing Ltd. - Intex Development Co. Ltd. - Intex Recreation Corp.
All rights reserved/Tous droits réservés/Todos los derechos reservados/Alle Rechte vorbehalten. Printed in China/Imprimé en Chine/Impreso en China/ Gedruckt in China.

®™ Trademarks used in some countries of the world under license from/®™ Marques utilisées dans certains pays sous licence de/Marcas registradas utilizadas en algunos países del mundo bajo licencia de/Warenzeichen verwendet in einigen Ländern der Welt in Lizenz von/Intex Marketing Ltd. to/à/a/an Intex Development Co. Ltd., G.P.O Box 28829, Hong Kong & Intex Recreation Corp., P.O. Box 1440, Long Beach, CA 90801 • Distributed in the European Union by/Distribué dans l'Union Européenne par/Distribuido en la unión Europea por/Vertrieb in der Europäischen Union durch/Intex Trading B.V., Venneveld 9, 4705 RR Roosendaal – The Netherlands
www.intexcorp.com

INHALTSVERZEICHNIS

Warnung.....	3-6
Teilerferenz.....	7-8
Aufbauanleitung.....	9-14
Bedienung.....	15
LED-Code-Tabelle.....	16
Minimierung von Wärmeverlusten und Ratschlag zum Energieverbrauch.....	17
Instandhaltung und Chemikalien.....	18-22
Lagerung.....	22
Anleitung zur Fehlerbehebung.....	23-24
Ausbau des Filterpumpenmotors.....	25
Garantie.....	26

WICHTIGE SICHERHEITSVORSCHRIFTEN

Bei der Installation und der Benutzung von elektrischen Geräten müssen die grundlegenden Sicherheitsbestimmungen einschließlich der folgenden immer beachtet werden:

ALLE INSTRUKTIONEN LESEN UND BEFOLGEN

⚠ ACHTUNG

- Gefahr eines Badeunfalls (besonders Kinder unter 5 Jahren). Es ist darauf zu achten, dass Kindern der unbefugte Spa-Zugang untersagt wird. Dies lässt sich erreichen, indem der Zugang zu dem Badebereich durch eine erwachsene Aufsichtsperson überwacht oder indem eine Schutzvorrichtung für die Badesicherheit installiert wird. Um Unfälle während der Spa-Nutzung zu vermeiden, müssen Kinder ununterbrochen beaufsichtigt werden.
- Ertrinkungsgefahr. Überprüfen Sie regelmäßig die Abdeckung des Whirlpools auf Undichtigkeiten, vorzeitigen Verschleiß, Schäden oder Anzeichen für Alterung. Verwenden Sie niemals eine abgenutzte oder beschädigte Abdeckung, denn diese bietet Ihnen nicht das Ausmaß an Schutz, das erforderlich ist, damit nicht etwa Kinder den Whirlpool unbeaufsichtigt benutzen können.
- Verletzungsgefahr. Die Sauganschlüsse dieses Spa sind größentechnisch exakt auf die vorgesehene Wassermenge der Pumpe abgestimmt. Falls die Sauganschlüsse oder die Pumpe einmal ausgewechselt werden müssen, ist darauf zu achten, dass die Angaben zur Fördermenge übereinstimmen. Bei defekten oder fehlenden Anschlüssen darf der Spa nicht in Betrieb gesetzt werden. Ein Sauganschluss darf nie durch ein Ersatzteil ausgewechselt werden, dessen Werte niedriger als die Angaben auf der Original-Saugarmatur sind.
- Verletzungsgefahr. Ersetzen Sie beschädigte Kabel sofort. Graben Sie die Kabel nicht ein. Verwenden Sie keine Verlängerungskabel.
- Stromschlaggefahr. Verwenden Sie keine elektronischen Geräte, wie Licht, Telefon, Radio oder Fernseher innerhalb eines Umkreises von 3,5 m vom Whirlpool.
- Stromschlaggefahr. Gefahr eines elektrischen Schlags. Bitte benutzen Sie den Whirlpool nicht wenn es regnet, donnert oder blitzt.

⚠ WARNUNG

- Der Whirlpool muss durch einen Fehlerstromschutzschalter (FI) abgesichert sein. Der Auslösefehler-Nennstrom darf 30mA nicht übersteigen.
- Das Whirlpool-Elektrogerät enthält einen transportablen Fehlerstromschutzschalter (FI) mit einem Auslösefehler-Nennstrom von maximal 10 mA. Wenn ein Leckstrom von über 10 mA erkannt wird, schaltet sich der FI ein und unterbricht die Stromversorgung. Ziehen Sie in so einem Fall den Netzstecker des Whirlpools und stellen Sie sofort die Benutzung ein. Sie müssen sich an den Kundendienst vor Ort wenden, um Hilfe zu erhalten und/oder das Produkt reparieren zu lassen.
- Personen im Whirlpool dürfen nicht an spannungsführende Teile, ausgenommen Teile mit Niederspannung mit nicht mehr als 12 V, gelangen.
- Die Elektroinstallation soll die Anforderungen der nationalen Normen erfüllen.
- Teile mit elektrischen Komponenten, außer Fernbedienungen, müssen entfernt oder fixiert werden, so dass sie nicht in den Whirlpool fallen können.
- Um das Risiko von Verletzungen zu verringern, erlauben Sie Kindern nicht, dieses Produkt ohne ständige Beaufsichtigung zu benutzen.
- Kinder sollten den Spa oder Whirlpool nicht ohne Aufsicht eines Erwachsenen benutzen.
- Um das Risiko zu verringern, dass Kinder darin ertrinken, beaufsichtigen Sie die Kinder ständig bei der Benutzung. Sichern und verschließen Sie den Whirlpool nach jeder Benutzung immer durch die Abdeckung.
- ZUR REDUZIERUNG DER VERLETZUNGSGEFAHR/KRANKHEIT:
 - a) Das Wasser im Whirlpool sollte 40°C (104°F) nie übersteigen. Wassertemperaturen zwischen 38°C (100°F) und 40°C (104°F) werden für einen gesunden Erwachsenen als sicher angesehen. Für Kleinkinder und falls der Whirlpool länger als 10 Minuten benutzt wird, werden niedrigere Wassertemperaturen empfohlen. Vor dem Gebrauch sollte ärztlicher Rat eingeholt werden.

WARNUNG

- b) Da zu hohe Wassertemperaturen während der ersten Schwangerschaftsmonate eine starke Bedrohung für Ungeborene darstellen, sollten Schwangere oder möglicherweise Schwangere die Wassertemperatur im Spa nicht zu hoch wählen, die Nutzungsdauer einschränken und sich zuvor ärztlich beraten lassen.
- c) Vor dem Betreten des Spa sollte die Wassertemperatur kontrolliert werden.
- d) Die Einnahme von Alkohol, Drogen oder Arzneimitteln vor oder während der Benutzung des Whirlpools kann zu Bewusstlosigkeit und Ertrinkungsgefahr führen.
- e) Vor der Nutzung eines Spa sollten erkrankte Personen eine medizinische Beratung einholen.
- f) Personen, die unter Medikamenteneinfluss stehen und/oder die in der Vergangenheit erkrankt waren, sollten vor der Nutzung eines Spa medizinischen Rat einholen, denn bestimmte Medikamente können zu Benommenheit führen, während sich andere auf die Herzfrequenz, den Blutdruck und den Kreislauf auswirken.
- g) Tauchen Sie nicht mit dem Kopf unter Wasser und verschlucken Sie kein Spa-Wasser.
- Menschen mit ansteckenden Krankheiten sollten den Whirlpool nicht benutzen.
 - Um Verletzungen zu vermeiden, passen Sie beim Ein- und Aussteigen gut auf.
 - Schwangere und möglich schwangere Frauen sollten einen Arzt aufsuchen, bevor sie einen Spa oder Whirlpool benutzen.
 - Eine Wassertemperatur von mehr als 38°C kann für Ihre Gesundheit schädlich sein.
 - Benutzen Sie den Whirlpool nicht direkt nach körperlichen Anstrengungen.
 - Ein längerer Aufenthalt in einem Spa oder Whirlpool kann für Ihre Gesundheit schädlich sein.
 - Wenn Sie schwanger sind kann ein längerer Aufenthalt im Whirlpool Ihrem Fötus schaden. Messen Sie die Temperatur des Wassers vor der Benutzung. Benutzen Sie den Whirlpool nicht, wenn das Wasser heißer als 38°C ist. Bleiben Sie nicht länger als 10 Minuten im Whirlpool.
 - Whirlpool Wärme in Verbindung mit Alkohol, Drogen oder Medikamente kann zu Bewusstlosigkeit führen.
 - Verlassen Sie sofort den Whirlpool, wenn Ihnen unwohl, schwindelig oder wenn Sie schläfrig sind. Die Wärme des Wassers im Whirlpool kann zu Hyperthermie und Bewusstlosigkeit führen.
 - Die Ursachen, Symptome und Auswirkungen der Hyperthermie können wie folgt beschrieben werden: Hyperthermie tritt auf, wenn die Innentemperatur des Körpers einen Wert erreicht, der einige Grade über der normalen Körpertemperatur von 37°C liegt. Die Symptome der Hyperthermie sind eine Erhöhung der Innentemperatur des Körpers, Schwindel, Lethargie, Benommenheit und Ohnmacht. Die Auswirkungen der Hyperthermie sind fehlende Wahrnehmung von Wärme; die Notwendigkeit nicht zu erkennen, den Spa oder Whirlpool zu verlassen; fehlendes Erkennen der drohenden Gefahr, fetale Schäden bei Schwangeren; körperliche Unfähigkeit, den Spa oder Whirlpool zu verlassen; und Bewusstlosigkeit woraus die Gefahr des Ertrinkens resultieren kann.
 - Der Konsum von Alkohol, Drogen oder Medikamenten kann erheblich das Risiko einer tödlichen Hyperthermie in einem Spa oder Whirlpool erhöhen.
 - Fügen Sie immer Chemikalien ins Wasser, nie Wasser zu den Chemikalien. Die Zugabe von Wasser in die Chemikalien kann starke Dämpfe oder heftige Reaktionen auslösen.
 - Springen Sie niemals in ein Whirlpool. Tauchen Sie niemals in einem Whirlpool oder anderen seichten Gewässer.
 - Montage und Demontage nur von Erwachsenen.
 - Dieses Gerät kann von Kindern ab 8 Jahren und von Personen mit verminderten körperlichen, sensorischen oder geistigen Fähigkeiten oder mit Mangel an Erfahrung und Wissen bedient werden, wenn sie beaufsichtigt werden oder auf den sicheren Gebrauch des Gerätes hingewiesen wurden und die damit verbundenen Gefahren kennen. Kinder dürfen nicht mit dem Gerät spielen. Die Reinigung und Anwenderwartung dürfen von Kindern nicht ohne Aufsicht durchgeführt werden.
 - Während der Nutzung des Spa's sind keine elektrischen Geräte ober bzw. in unmittelbarer Nähe des Spa's erlaubt.
 - Halten Sie den Stecker des Anschlusskabels dieses Produktes mehr als 4 m vom Whirlpool entfernt bzw. positionieren Sie diesen in einer Höhe von mind. 1,2 m.
 - Ziehen Sie immer den Netzstecker, bevor Sie das Produkt reinigen, entfernen, warten, andere Anpassung vornehmen und an regnerischen Tagen.
 - Das Stromkabel darf nicht eingegraben werden. Platzieren Sie das Kabel so, dass es nicht durch Rasenmäher, Heckenscheren oder andere Geräte beschädigt werden kann.

⚠️ WARNUNG

- Wenn die Anschlussleitung dieses Gerätes beschädigt ist, muss sie vom Hersteller, dem Kundendienst oder anderen qualifizierten Personen ersetzt werden, um eine Gefahr zu vermeiden. Verwenden Sie bei der Wartung lediglich Ersatzteile, die mit den Originalteilen identisch sind.
- **Netzstecker stets trocken halten. Ein nasser Stecker darf unter keinen Umständen mit einer Steckdose verbunden werden!**
- Der Netzstecker des Whirlpools darf nur direkt mit einer geerdeten Steckdose von einer ortsfesten elektrischen Installation verbunden werden.
- Um das Risiko eines Stromschlags und Feuer zu reduzieren, verwenden Sie keine Verlängerungskabel, Zeitschaltuhren, Adapter oder Konverter-Stecker um den Whirlpool an die Stromversorgung anzuschließen. Verwenden Sie eine richtig positionierte Steckdose.
- Versuchen Sie nicht den Netzstecker an- oder abzustecken, während Sie sich im Wasser befinden oder nasse Hände haben.
- Lassen Sie den Whirlpool nicht für längere Zeit ohne Wasser stehen. Setzen Sie das Spa nicht für einen längeren Zeitraum direktem Sonnenlicht aus.
- Wenn das Produkt für längere Zeit nicht in Betrieb ist, z.B. im Winter, bauen Sie das Produkt ab und verwahren Sie es im Innenraum.
- Lassen Sie das Wasser im Whirlpool nicht gefrieren. Schalten Sie den Whirlpool nicht ein, wenn das Wasser gefroren ist.
- Verwenden Sie den Whirlpool nicht, wenn er bei der Lieferung beschädigt wurde und/oder in irgendeiner Weise Fehlfunktionen aufweist. Kontaktieren Sie dann sofort das Servicecenter von Intex. Dort wird man Ihnen sagen, was Sie tun müssen.
- Verwenden Sie niemals den Whirlpool alleine. Erlauben Sie auch anderen Personen nicht, den Whirlpool alleine zu benutzen.
- Geben Sie niemals Wasser mit einer Temperatur höher als 40°C direkt in den Whirlpool.
- Halten Sie Tiere vom Whirlpool entfernt um Schäden zu vermeiden.
- Fügen Sie kein Badeöl oder Badesalz in das Whirlpool-Wasser.
- Der Whirlpool muss auf einer ebenen, flachen und glatten Oberfläche aufgestellt werden, die in der Lage ist, die maximale Belastung des mit Wasser gefüllten Pools mit vier erwachsenen Benutzern zu tragen; das Gewicht liegt bei 1136 kg (2500 lbs), 6 Erwachsene: 1592 kg (3500 lbs), 8 Erwachsene: 1999 kg (4400 lbs).
- Damit überlaufendes Wasser kein Problem darstellt, sollte rund um den Whirlpool für eine ausreichende Entwässerung gesorgt werden.
- Verwenden Sie aus Sicherheitsgründen nur Zubehör, das vom Spa-Hersteller stammt.
- Nicht für den öffentlichen/gewerblichen Gebrauch und/oder als privat vermietbares Objekt vorgesehen.
- Die nachfolgenden Absätze in dem Handbuch enthalten sämtliche Informationen zur Installation, Reinigung und Wartung.

Lesen und befolgen Sie alle Anweisungen, bevor Sie das Produkt in Betrieb nehmen! Diese Warnungen, Anleitungen und Sicherheitsrichtlinien behandeln einige allgemeine Gefahren bei der Erholung im Wasser, aber sie können nicht alle Gefahren und Risiken in allen Fällen abdecken. Seien Sie vorsichtig, der gesunde Menschenverstand und richtiges Einschätzungsvermögen während des Badens sind wichtig.

Sicherheit der Nichtschwimmer

- Die ununterbrochene, aktive und aufmerksame Beaufsichtigung von ungeübten Schwimmern und Nichtschwimmern durch einen kompetenten Erwachsenen ist ständig erforderlich (bedenkend, dass bei Kindern unter fünf Jahren die Ertrinkungsgefahr am größten ist).
- Bestimmen Sie einen kompetenten Erwachsenen, der den spa bei jeder Benutzung beaufsichtigt.
- Wenn der spa nicht benutzt wird oder unbeaufsichtigt ist, entfernen Sie alle Spielzeuge aus dem spa und seiner Umgebung, um die Aufmerksamkeit der Kinder nicht auf den spa zu lenken.

Sicherheitsvorrichtungen

- Um einen unbefugten Zugang zum Spa zu verhindern, sollte eine Schutzabdeckung oder eine andere Schutzvorrichtung eingesetzt werden. Alternativ müssen alle Türen und Fenster (soweit zutreffend) geschlossen und gesichert werden.

⚠️ WARNUNG

- Absperrungen, Pool-Abdeckungen, Pool-Alarm oder ähnliche Sicherheitseinrichtungen sind gute Hilfsmittel, aber sie sind kein Ersatz für ununterbrochene und kompetente Beaufsichtigung durch Erwachsene.

Sicherheitsausrüstung

- Halten Sie ein funktionierendes Telefon und eine Liste mit Notrufnummern in der Nähe des spa bereit.

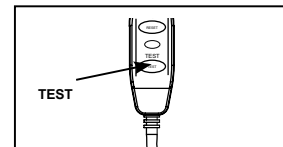
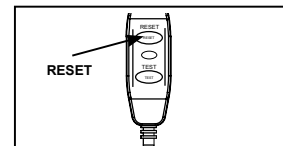
Sichere Benutzung des spa

- Ermutigen Sie alle Benutzer – insbesondere Kinder – schwimmen zu lernen.
- Lernen Sie die lebensrettenden Sofortmaßnahmen (Wiederbelebung) und frischen Sie diese Kenntnisse regelmäßig auf. Das kann im Notfall den lebensrettenden Unterschied machen.
- Instruieren Sie alle spa-benutzer, einschließlich der Kinder, was im Notfall zu tun ist.
- Stürzen Sie sich nie in seichte Gewässer. Dies kann zu schweren Verletzungen oder zum Tod führen.
- Benutzen Sie den spa nicht, wenn Sie Alkohol oder Medikamente einnehmen; dies kann Ihre Fähigkeit zur sicheren Benutzung des spa beeinträchtigen.
- Wenn spaabdeckungen verwendet werden, entfernen Sie diese vollständig von der Wasseroberfläche, bevor Sie in den spa steigen.
- Schützen Sie die spa-benutzer vor wasserbedingten Krankheiten, indem Sie das spawasser behandeln und auf gute Hygiene achten.
- Lagern Sie Chemikalien außerhalb der Reichweite von Kindern.
- Bringen Sie die mitgelieferte Sicherheitsbeschilderung direkt am Spa oder an einer gut sichtbaren Stelle 2 m vom Spa entfernt an.

⚠️ WARNUNG

- Dieses Produkt ist mit einer Fehlerstrom-Schutzeinrichtung bzw. FI-Schutzschalter am Ende des Stromkabels ausgestattet. Der FI-Schutzschalter muss vor jedem Gebrauch geprüft werden. Verwenden Sie den Whirlpool nicht, wenn der FI-Schutzschalter nicht richtig funktioniert. Ziehen Sie den Netzstecker bis der Fehler gefunden und behoben wurde. Kontaktieren Sie einen qualifizierten Elektriker um den Fehler zu korrigieren. Überbrücken Sie den FI-Schutzschalter nicht. Es gibt keine zu wartenden Teile im Inneren des FI-Schutzschalters. Wenn Sie den FI-Schutzschalter öffnen, erlischt die Garantie.

1. Schließen Sie das Gerät an eine geerdete Steckdose an.
2. Drücken Sie **RESET** am Fehlerstromschutzschalter.
3. Schalten Sie die elektronische Einheit ein.
4. Drücken Sie den **TEST**-Knopf am FI-Schutzschalter. Der FI-Schutzschalter sollte sich abschalten, und die elektrische Ausrüstung sollte sich abschalten. Wenn der FI-Schutzschalter nicht ausgeschaltet ist, und die elektrische Ausrüstung nicht abgeschaltet ist, ist der FI-Schutzschalter defekt. Verwenden Sie den Whirlpool nicht. Kontaktieren Sie einen qualifizierten Elektriker, um den Fehler zu korrigieren.
5. Drücken Sie die **RESET**-Taste auf dem FI-Schutzschalter. Die Anzeige auf dem FI-Schutzschalter sollte eingeschaltet sein. Wenn der FI-Schutzschalter nicht leuchtet, ist der FI-Schutzschalter defekt. Verwenden Sie den Whirlpool nicht. Kontaktieren Sie sofort einen qualifizierten Elektriker, um den Fehler zu korrigieren.

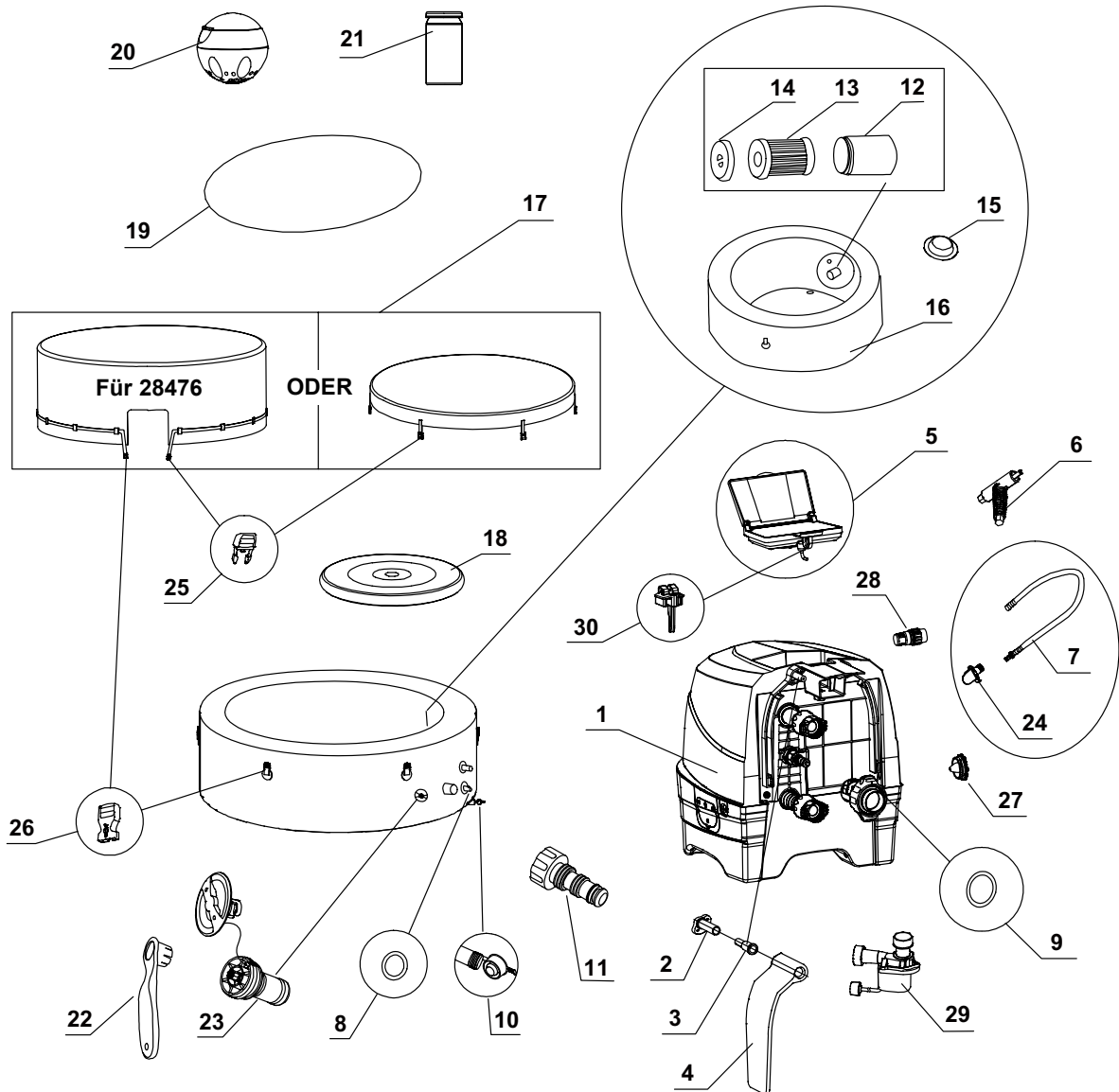


⚠️ ACHTUNG

- Um Gefahren aufgrund des versehentlichen Zurücksetzens der Thermosicherung zu vermeiden, darf dieses Gerät nicht über eine externe Schaltvorrichtung, wie etwa einen Timer, versorgt werden oder an einen Schaltkreis angeschlossen werden, der regelmäßig vom Elektrizitätswerk ein- und ausgeschaltet wird.
- Verwenden Sie Wasserpflegemittel gemäß den Herstellerangaben.

TEILEREFERENZ

Bevor Sie mit dem Zusammenbauen Ihres Produktes beginnen, nehmen Sie sich bitte ein paar Minuten Zeit um sich mit den verschiedenen Einzelteilen vertraut zu machen und den Zusammenhang zu verstehen.



HINWEIS: Zeichnungen nur für Illustrationszwecke. Eventuelle Abweichungen zum Produkt möglich. Nicht maßstabgetreu.

TEILEREFERENZ (Fortsetzung)

Bevor Sie mit dem Zusammenbauen Ihres Produktes beginnen, nehmen Sie sich bitte ein paar Minuten Zeit sich mit den verschiedenen Einzelteilen vertraut zu machen und den Zusammenhang zu verstehen.

TEILENUMMER	BESCHREIBUNG	MENGE	ERSATZTEILNUMMER					
			4 ERWACHSENE			6 ERWACHSENE		8 ERWACHSENE
			28426	28430	28476	28428	28432	28412
1	WHIRLPOOL STEUEREINHEIT	1	12836	12836B	12836	12836	12836B	12836
2	SEITENABDECKUNG DER SCHARNIERBASIS	2	12771D	12771D	12771D	12771D	12771D	12771D
3	SEITENABDECKUNG DER SCHARNIERBEFESTIGUNG	2	12772D	12772D	12772D	12772D	12772D	12772D
4	SEITENABDECKUNG DER STEUEREINHEIT	2	12770W	12770B	12770W	12770W	12770B	12770W
5	BEDIENFELD	1	12840	12840B	12840	12840	12840B	12840
6	SCHRAUBENSCHLÜSSEL FÜR DAS BEDIENFELD	1	11053	11053	11053	11053	11053	11053
7	FÜLLSCHLAUCH FÜR WHIRLPOOL/ABDECKUNG	1	11830	11830	11830	11830	11830	11830
8	SPA STEUERUNG O-RING WASSEREIN-/AUSLASS	2	11699	11699	11699	11699	11699	11699
9	SPA STEUERUNG - O-RING LUFTZUFUHR	1	11687	11687	11687	11687	11687	11687
10	WHIRLPOOL ABLASSSCHRAUBE	1	11995	11995	11995	11995	11995	11995
11	ABLASSVENTIL ADAPTER	1	13036	13036	13036	13036	13036	13036
12	FILTERKARTUSCHEN-GEHÄUSE	1	11798	11798	11798	11798	11798	11798
13	FILTERKARTUSCHE	2	11692	11692	11692	11692	11692	11692
14	DECKEL DES FILTERKARTUSCHEN-GEHÄUSES	1	11797	11797	11797	11797	11797	11797
15	VERSCHLUSSKAPPE WASSEREIN-/AUSLASS	3	11739	11739	11739	11739	11739	11739
16	WHIRLPOOL	1	11842	12260	11842	12106	12258	12957
17	WHIRLPOOL ABDECKUNG	1	11841	12261	12752	12107	12256	12958
18	AUFBLASBARE WHIRLPOOL ABDECKUNG (IN WHIRLPOOL ABDECKUNG VORINSTALLIERT)	1	11689	11689	12753	12108	12108	12959
19	BODENSCHUTZPLANE	1	11717	11717	11717	12109	12109	12960
20	DOSIERSCHWIMMER	1	12735	12735	12735	12735	12735	12735
21	TESTSTREIFEN	1	11855	11855	11855	11855	11855	11855
22	SCHRAUBENSCHLÜSSEL	1	11742	11742	11742	11742	11742	11742
23	LUFTDRUCKENTLASTUNGSVENTIL	1	12589	12589B	12589	12589	12589B	12589
24	SCHLAUCHADAPTER (VORINSTALLIERT MIT NR. 7)	1	12773	12773	12773	12773	12773	12773
25	MÄNNLICHE SCHNALLE	6	11698	11698B	-	11698	11698B	11698
		1	-	-	11698	-	-	-
26	WEIBLICHE SCHNALLE	6	11799	11799B	-	11799	11799B	11799
		1	-	-	11799	-	-	-
27	ENLEERUNGSSCHRAUBE	1	12775W	12775B	12775W	12775W	12775B	12775W
28	ENTLEERUNGSADAPTER	1	12774	12774	12774	12774	12774	12774
29	SPA FILTERPUMPE	1	12778	12778	12778	12778	12778	12778
30	BEDIENFELD -BEFESTIGUNG	1	10064	10064B	10064	10064	10064B	10064

Beachten Sie bei der Bestellung von Teilen, dass Modellnummer und Teilenummer angegeben werden müssen.

PRODUKTSPEZIFIKATIONEN

Spannung / Frequenz / Phase	220 - 240 V / 50 Hz / 1 PH		
Maximale Sitzplatzkapazität:	4 Erwachsene	6 Erwachsene	8 Erwachsene
Wasserkapazität:	210 Gallonen (795 Liter)	290 Gallonen (1098 Liter)	354 Gallonen (1340 Liter)
Innen/Außen Durchmesser:	57/77 in (145/196 cm)	65/85 in (165/216 cm)	73/93 in (185/236 cm)
Höhe:	28 in (71 cm)		
Luftgebläse:	800 W		
Filterpumpe Durchflussrate:	460 Gallonen/Stunde (1741 Liter/Stunde)		
Heizleistung:	2200 W		
Temperaturbereich:	20°C – 40°C (68°F – 104°F)		
Temperaturanstieg:	1,5-2,5°C/Stunde	1-2°C/Stunde	0,8-1,5°C/Stunde (1,5°F – 3°F/Stunde)
Anzahl der Luftdüsen:	120 (28426 / 28476) 140 (28430)	140 (28428) 170 (28432)	170
Empfohlener Luftdruck:	0,083 bar (1,2 psi)		

Aufblasbarer, tragbarer, kabelgebundener Whirlpool zum Aufstellen mit Pumpe, Heizung, Gebläse, eingebauter Wasserenthärtungsvorrichtung und Bedienfeld.

Hinweis: Die Whirlpoolanlage verfügt über ein komplettes Erdungssystem, das auch mit dem Whirlpoolwasser in Kontakt kommt. Es ist möglich, dass eine Person elektrostatische Ladung aufbaut, die sich entlädt, wenn die Person das Wasser berührt. Trotzdem sollte jeder elektrische Schlag vor der Benutzung des Whirlpools von einem qualifizierten Elektriker untersucht werden. Trennen Sie den Whirlpool von der Stromquelle, bis die Ursache ermittelt und das Problem behoben wurde.

⚠️ WARNUNG

Feueregefahr: Dieses Produkt benötigt mindestens 13 Ampere. Die meisten Haushaltsstromkreise haben eine Stromstärke von 13 bis 16 Ampere. Wenn der Schutzschalter ausgelöst wird, vergewissern Sie sich bitte, dass keine anderen Geräte oder andere große Ladungen am selben Stromkreis wie der Whirlpool angeschlossen sind. Verwenden Sie keine Verlängerungskabel. Vor dem Gebrauch das Netzkabel auseinanderwickeln. Den Stecker niemals auf brennbare Materialien legen.

AUFBAUANLEITUNG

Standortvorbereitungen und Anforderungen

- Der Whirlpool kann im Innen- und Außenbereich aufgestellt werden. Nur für den Hausgebrauch.
- Stellen Sie sicher, dass der Bereich wasserunempfindlich, ebenerdig und flach ist und sich unter oder um den Aufstellbereich des Spa herum keine scharfkantigen Gegenstände befinden.
- Stellen Sie eine geerdete Steckdose mit einem Mindestschutz von IPX4 oder höher für den Spa-Anschluss vor Ort zur Verfügung. Der Anschluss muss zur regelmäßigen Überprüfung des kabelmontierten Überlastschutzschalters leicht zugänglich sein.
- Stellen Sie sicher, dass es genug Freiraum um den Whirlpool gibt, um einen vollen Zugriff auf die Whirlpool-Einrichtung zur Wartung bzw. Service zu gewährleisten.
- In dem Bereich sollte es einen Abfluss geben, um den Whirlpool bei einer längeren Lagerung ausleeren zu können. Beachten Sie in Bezug auf die Wasser-Entsorgungsvorschriften die regionalen sowie nationalen Bestimmungen.
- Zur Verringerung der Lärmbelästigung sollte der Spa nicht in unmittelbarer Nähe zu vertikalen Wänden aufgestellt werden.
- Der Bereich sollte für die Frischwasserzufuhr gut erreichbar sein und den örtlichen Wasserversorgungsbestimmungen genügen. Die Kennwerte der Wasserzufuhr müssen entsprechend den Angaben im Handbuchkapitel über die Spa-Wasserchemie und das chemische Gleichgewicht vor dem ersten Gebrauch des Spa reguliert werden.
- Bei Spa-Installationen im Freien und/oder in Gebäuden sind die örtlichen Gesetze und Vorschriften zu beachten.

Zusätzliche Anforderungen für die Installation im Innenbereich

- Stellen Sie sicher, dass der Untergrund das volle Gewicht des gefüllten Whirlpools mit der max. Anzahl der Insassen aushält. Überprüfen Sie dies mit einem qualifizierten Unternehmer oder einem Statiker um den Anforderungen gerecht zu werden.
- Vergewissern Sie sich, dass der Boden wasserdicht ist und eine rutschfeste Oberfläche besitzt. Installieren Sie den Whirlpool nicht auf einem Teppich oder anderen Materialien, die durch Feuchtigkeit/Kondenswasser beschädigt werden können.
- Installieren Sie den Whirlpool nicht in Innenräumen im zweiten Stock oberhalb von Wohnräumen, da es zu Wasser- oder Feuchtigkeitsschäden kommen kann.

AUFBAUANLEITUNG (Fortsetzung)

- Feuchtigkeit ist ein natürlicher Nebeneffekt bei einer Whirlpool-Inneninstallation. Der Raum muss gut belüftet sein, damit Feuchtigkeit entweichen kann. Installieren Sie ein Belüftungssystem, um überschüssiges Kondenswasser/Feuchtigkeit im Raum zu verhindern.

Zusätzliche Anforderungen für die Außenaufstellung

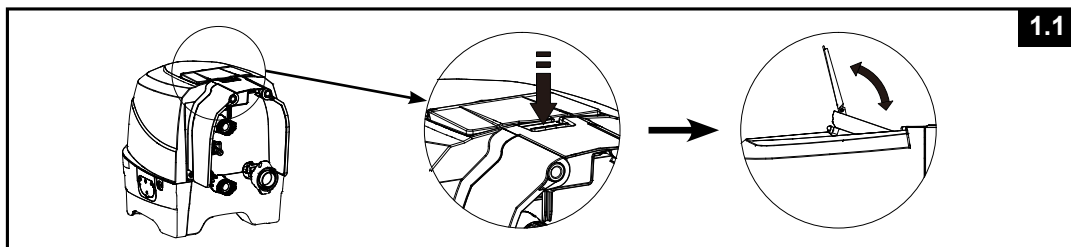
- Whirlpool-Besitzer müssen die lokalen und staatlichen Gesetze in Bezug auf die Kindersicherheit, Sicherheitsbarrieren, Beleuchtung und andere Sicherheitsanforderungen einhalten. Bitte kontaktieren Sie hierzu das lokale Bauamt für weitere Details.
- Achten Sie darauf, dass die Oberfläche eben, flach, glatt und stark genug ist, um das volle Gewicht des gefüllten Whirlpools tragen zu können.
- Bauen Sie den Whirlpool nicht auf Gras oder Schmutz auf, da dies die Verschmutzung im Wellnessbereich erhöhen kann.
- **Setzen Sie den Whirlpool nicht für längere Zeit direktem Sonnenlicht aus. Sorgen Sie für einen Sonnenschutz, z.B. durch eine Beschattung wie einem Zelt, einem Sonnensegel/Plane oder einem Pavillon.**
- Der Whirlpool kann bei einer Außentemperatur von mind. 4°C (39°F) verwendet werden. Voraussetzung dafür ist, dass die Wassertemperatur im Whirlpool höher als 4°C (39°F) ist und das Wasser innerhalb des Systems, Pumpe, Schläuche, etc. nicht gefroren sind. Legen Sie eine Isoliermatte zwischen Boden und Whirlpool um den Wärmeverlust zu reduzieren bzw. ein besseres Wärmerückhaltungsvermögen zu erhalten. Benutzen Sie den Whirlpool nicht, wenn die Umgebungs- oder Wassertemperatur bei 4°C (39°F) oder darunter liegt.

Stellen Sie den Whirlpool mit mind. 2 Personen auf.

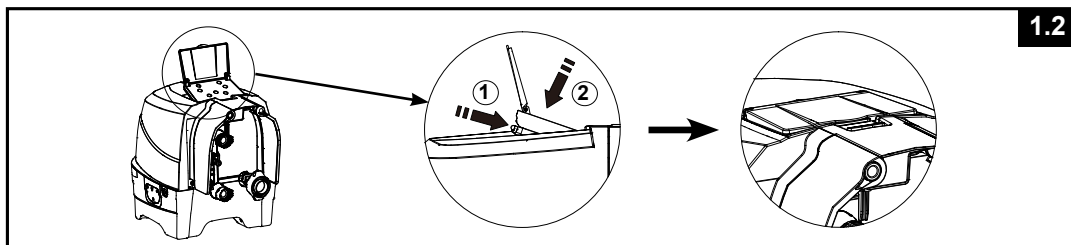
1. Geben Sie das komplette Paket an den ausgewählten Standort. Ziehen Sie den Whirlpool nicht über den Boden, da dadurch Schäden und Löcher/Undichtigkeiten entstehen können. Öffnen Sie den Karton vorsichtig, da der Karton wieder verwendet werden kann, wenn Sie den Whirlpool für längere Zeit einlagern möchten.
2. Legen Sie alle Teile auf den Boden und vergewissern Sie sich, dass alle Teile vorhanden sind. Wegen fehlender oder beschädigter Teile wenden Sie sich bitte an das zuständige INTEX Service Center in der separaten "Autorisierten Service-Center" Liste.

Einstellen des Whirlpool-Bedienfeldes

1. Drücken Sie den Hebel nach unten, um das Bedienfeld nach oben zu neigen und klappen Sie die Bedienfeldabdeckung nach oben. **Siehe Abb. 1.1.**



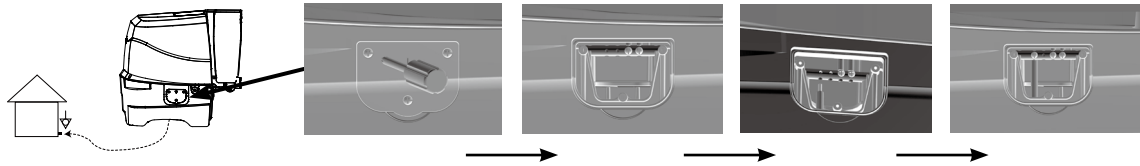
2. Um das Bedienfeld wieder nach unten zu stellen, drücken Sie den Knopf an der Rückseite nach innen, während Sie gleichzeitig das Bedienfeld nach unten schieben. **Siehe Abb. 1.2.**



AUFBAUANLEITUNG (Fortsetzung)

Optionales Potentialausgleichssystem (Erdung)

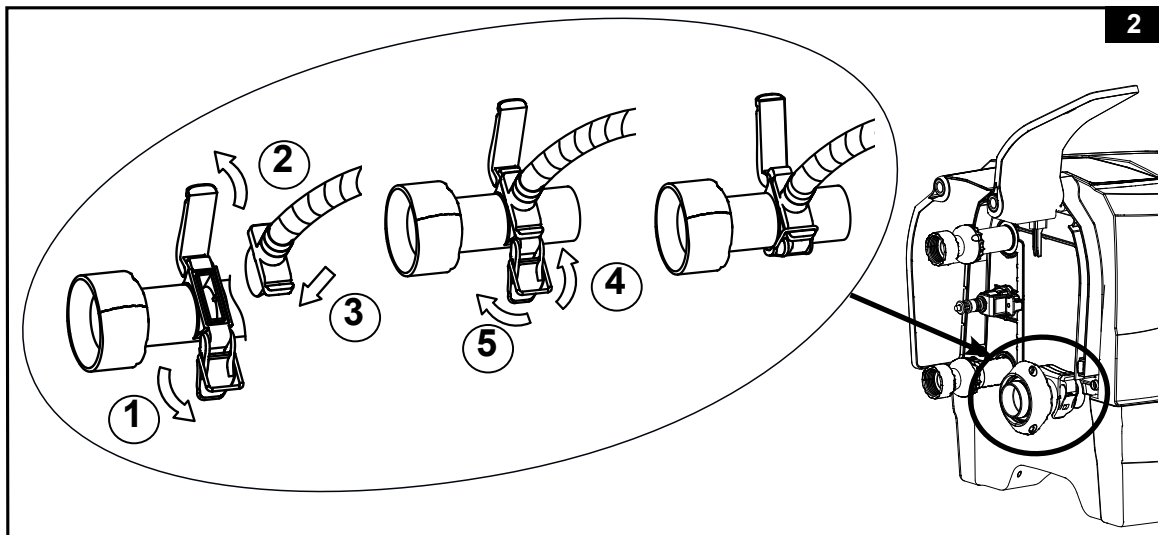
Abhängig von nationalen Regeln und Vorschriften, holen Sie einen qualifizierten Elektriker um den Whirlpool mit einem Kabel (2,5 mm² - 6 mm² Querschnitt) an Ihr Erdungssystem anzuschließen. (Kabel nicht enthalten).



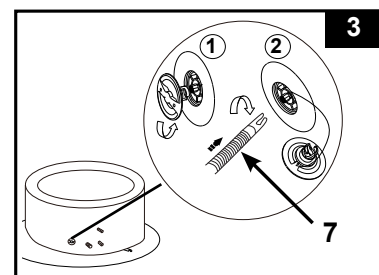
Aufblasen

Aufpumpen der Whirlpool-Wand


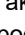

1. Nehmen Sie die Bodenschutzplane (19) heraus und breiten Sie sie auf der freien Fläche aus. Breiten Sie dann die Poolfolie über die Bodenschutzplane und drehen Sie dabei das Ablassventil in Richtung eines geeigneten Abflusses.
Hinweis: Breiten Sie die Unterlagsplane dort aus, wo Sie Ihren Pool aufstellen möchten, mit den Noppen nach unten.
2. Klappen Sie die Seitenabdeckung der Steuereinheit (4) nach oben, um auf den Ausgang des Gebläses zum Aufblasen zuzugreifen. Ziehen Sie die Verriegelung heraus, um die Abdeckung zu öffnen, stecken Sie den Schlauchadapter (24) mit dem Schlauch ein und befestigen Sie die Verriegelung wieder am Schlauchadapter, um ihn zu fixieren. **Siehe Abb. 2.**

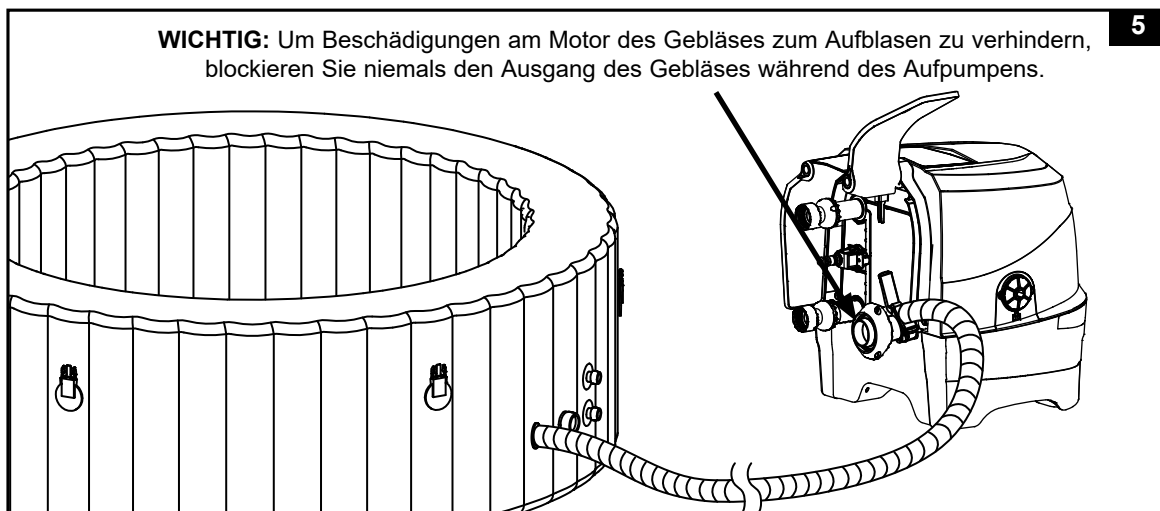
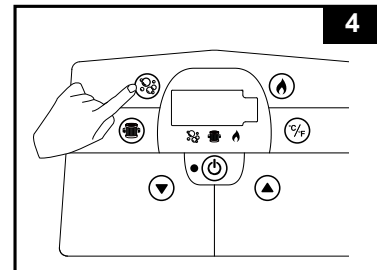


3. Schrauben Sie die Luftventilkappe am Whirlpool ab, um auf den aufrecht stehenden Ventilschaft zum Aufpumpen zuzugreifen. Schieben Sie das andere Ende des Füllschlauchs (7) in das Ventil und drehen Sie es nach rechts, um es in dieser Position zu verriegeln. **Siehe Abb. 3.**



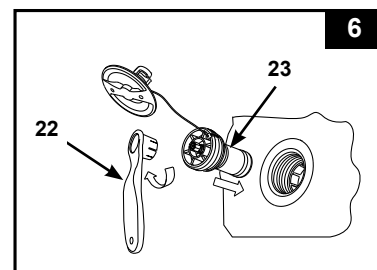
AUFBAUANLEITUNG (Fortsetzung)

- Drücken Sie die  Taste, um zunächst die Tasten des Bedienfeldes zu aktivieren. Drücken Sie die  Taste, um die Wand des Whirlpools 8 bis 10 Minuten lang aufzupumpen, bis sie sich beim Anfassen fest, aber nicht hart anfühlt. **Siehe Abb. 4 & 5.** **Wichtig:** Blasen Sie den Whirlpool nicht zu viel auf und verwenden Sie keinen Kompressor zum Befüllen.
- Drücken Sie die  Taste erneut, um das Aufblasen zu beenden.




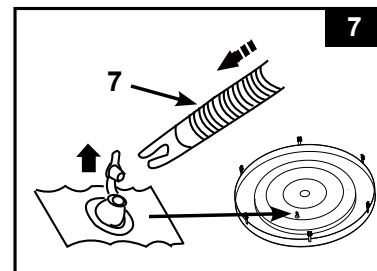
- Bringen Sie die Kappe des Luftventils wieder an. Diese Kappe ist dafür gedacht, um an- und abgeschraubt zu werden. Üben Sie dabei niemals Kraft aus, da sonst das gesamte innere Aufblas-System des Ventils sich lockern könnte. Informationen über die Wartung des Luftventils finden Sie unter "Befestigung des Luftventils des Whirlpools".

HINWEIS: Wenn das Innenteil des neuen Überdruckventils (23) wegen Verschleißes ausgetauscht werden muss, verwenden Sie den mitgelieferten Schraubenschlüssel (22), um das Innenteil vom Ventilfuß abzuschrauben. Setzen Sie den neuen Ventileinsatz ein und ziehen Sie ihn mit dem Schlüssel fest. Stellen Sie sicher, dass das Innenteil fest angezogen ist. **Siehe Abb. 6.**



Aufpumpen der aufblasbaren Whirlpoolabdeckung

- Öffnen Sie das Füllventil und schieben Sie den Füllschlauch (7) in das Ventil. Drücken Sie die  Taste, bis sich die Abdeckung bei Berührung fest, aber nicht hart anfühlt. **Siehe Abb. 7.**
- Trennen Sie den Füllschlauch (7) vom Ausgang für das Gebläse zum Aufblasen und vom Ventil.
- Bringen Sie die Absperrkappe der Steuereinheit wieder an; Schließen Sie diese und setzen Sie das Aufblasventil in die Aussparung.

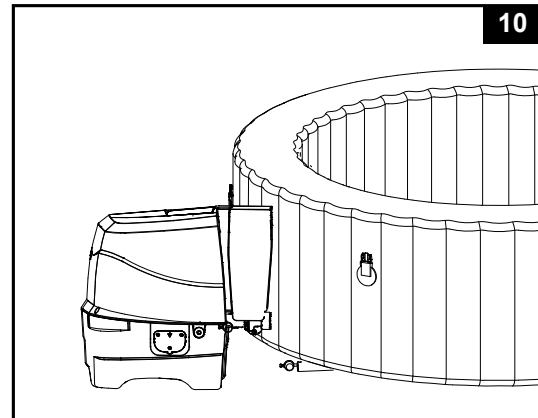
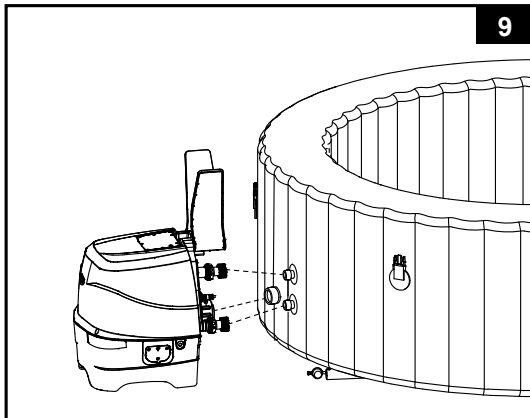


Hinweis: Wenn Sie nach dem Aufbau des Whirlpools Luft in die Wände der Whirlpool-Wanne oder die Abdeckung nachfüllen müssen, schauen Sie bitte in den Abschnitten "Aufpumpen der Whirlpool-Wand" und "Aufpumpen der aufblasbaren Whirlpoolabdeckung" nach. Die Isolierabdeckung ist bzw. wurde bereits in der Abdeckplane vorinstalliert. Sollte es notwendig sein dies neu zu installieren, geben Sie die das aufgeblasene Teil in die Abdeckplane und blasen Sie dieses vorsichtig auf.

AUFBAUANLEITUNG (Fortsetzung)



Whirlpool Steuereinheit Installation

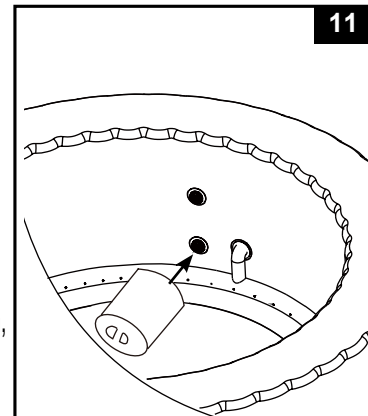
1. Verbinden Sie die Steuereinheit des Whirlpools mit dem Whirlpool. **Siehe Abb. 9.** Ziehen Sie die Verbindungen mit der Hand sicher fest. Verwenden Sie keine Werkzeuge für das Festziehen.
Hinweis: Befestigen Sie niemals externes Zubehör, das nicht mit dem Set geliefert wurde, am Whirlpool oder der Steuereinheit, da dies zum Erlöschen der Garantie führen würde.
2. Klappen Sie Seitenabdeckungen der Steuereinheit (4) wieder nach unten. **Siehe Abb. 10.**
Vorsicht: Legen Sie keine Gegenstände auf die Whirlpool-Steuereinheit, bedecken Sie sie nicht und lehnen Sie nichts dagegen.



3. Bringen Sie das montierte Gehäuse für die Filterkartusche am Auslassgitter auf der Innenseite der Whirlpool-Wanne an (in der niedrigeren) **Siehe Abb. 11.** Pumpen Sie den Whirlpool auf bevor Sie die Filterpumpe installieren.
4. Bevor Sie den Whirlpool mit Wasser füllen, stellen Sie sicher, dass das Bodenablaufventil innen und außen geschlossen ist.
5. Füllen Sie die Spawanne mit Süßwasser bis zu einem Pegel zwischen der MIN- und MAX-Markierung an der Innenseite der Spa-Wannenwand. Überfüllen Sie die Wanne nicht. Bewegen Sie den Whirlpool niemals, solange sich Wasser darin befindet, da dieser oder die Kontrollstation beschädigt werden könnten.

WARNUNG: Geben Sie niemals Wasser mit einer Temperatur höher als 40°C direkt in den Whirlpool. Um ein schnelles Aufheizen zu ermöglichen und Energie zu sparen, wird empfohlen, den Whirlpool mit lauwarmem Wasser zu füllen.

6. Legen Sie die Whirlpoolabdeckung und die aufblasbare Abdeckung (in der Whirlpoolabdeckung vorinstalliert) über den Whirlpool, und stellen Sie sicher, dass die Verschlüsse fest verschlossen sind, indem Sie den mitgelieferten Schlüssel benutzen, nachdem Sie die Verschlussgurte fest angezogen haben.
WICHTIG: Überprüfen Sie regelmäßig die Abdeckung des Whirlpools auf Undichtigkeiten, vorzeitigen Verschleiß oder Anzeichen für Alterung. Verwenden Sie niemals eine beschädigte Abdeckung.
7. Vergewissern Sie sich, dass das Spa-Unterteil in eine ordnungsgemäß gelegene Steckdose mit der richtigen Spannung eingesteckt ist und drücken Sie die Taste , um das Bedienfeld einzuschalten. Drücken Sie die  Taste auf dem Bedienfeld, um die Heizung einzuschalten; siehe Abschnitt „Whirlpool-Bedienfeld“.



Whirlpool-Abdeckung

Beachten Sie bitte, dass die Befestigungsschnallen der Abdeckung Schnallen zur Verriegelung sind. Zwei Schlüssel werden im Plastikbeutel mit dem Handbuch und anderem Zubehör mitgeliefert. Jede Schnalle ist mit "gesperrt" und "entsperrt" Symbolen für die einfache Bedienung markiert. Stecken Sie den Schlüssel einfach in den Schlitz der Schnalle und drehen Sie ihn in die entsprechende Position um die Schnalle zu sperren oder zu entsperren. Um die Sicherheit vor unbefugtem Zugriff zu garantieren, geben Sie immer die Abdeckung auf den Whirlpool, wenn sich dieser nicht in Gebrauch befindet und verriegeln Sie alle Schnallen. Halten Sie die Schlüssel für Kinder immer unerreichbar. Falls Sie die Schlüssel verlegen, können Sie jede ähnliche Größe von Schraubenzieher verwenden um die Schnallen zu sperren oder entsperren.

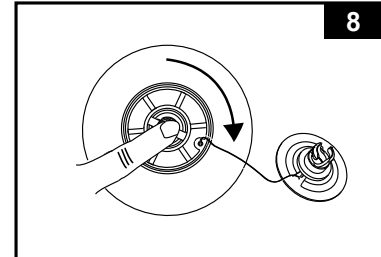
Beim Gebrauch des Spa sollte die Abdeckung an einem sauberen und trockenen Ort abgelegt werden. Andernfalls können sich Schmutz und Bakterien darauf ablagern. Die Abdeckungen sollten nicht auf Holztischen oder Holzterrassenböden abgelegt werden, denn es besteht die Gefahr, dass das Holz ausbleicht. Eine Hebevorrichtung, spezielle Halterung oder eine ähnliche Vorrichtung ist zu empfehlen, damit die Abdeckung, hauptsächlich die Wasser zugewandte Seite, keinen Kontakt zum Boden oder zu anderen verschmutzten Flächen bekommt.

AUFBAUANLEITUNG (Fortsetzung)

ABLASSEN

Für die Whirlpool Wand:

1. Lösen Sie die Kappe, drücken Sie den Schaft hinunter und drehen Sie ihn um 90 Grad nach rechts um ihn in dieser unteren Position zu sichern. **Siehe Abb. 8.**
2. Sobald die Entleerung beendet ist, schieben Sie den Schaft wieder um 90 Grad nach links (Stellung aufblasen).
3. Setzen Sie die Ventilkappe wieder zurück bzw. auf.
Hinweis: Beachten Sie das Kapitel "LAGERUNG" zum Entlüften und Verstauen des Spa.



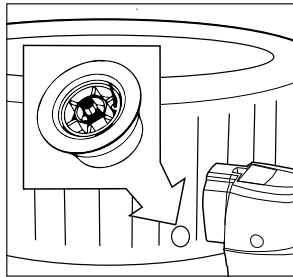
Für die aufblasbare Whirlpoolabdeckung:

1. Ziehen Sie Ventilkappe auf und drücken Sie das Ventil unten zusammen, bis die Luft entleert ist.
2. Schließen Sie das Ventil und drücken Sie es wieder zurück in seine ursprüngliche Position.

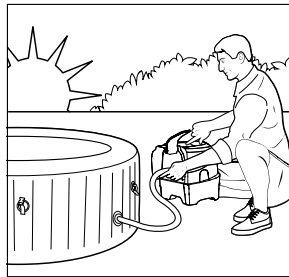


WICHTIG

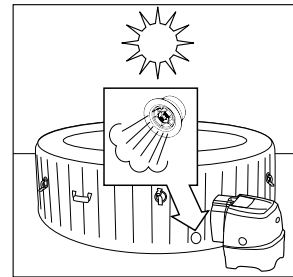
Ihr Whirlpool ist mit dem neuen „Luftdruckentlastungsventil“ versehen, das automatisch Luft ablässt, wenn der Innendruck des Whirlpools zwischen 0,103 und 0,172 bar (1,5 – 2,5 psi) beträgt, und gleichzeitig die ursprünglichen Funktionen zum Aufpumpen und Luftablassen erfüllt.



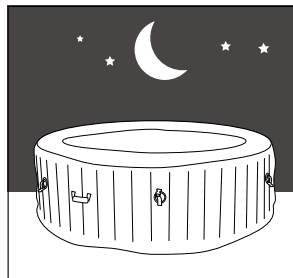
Überdruckventil.



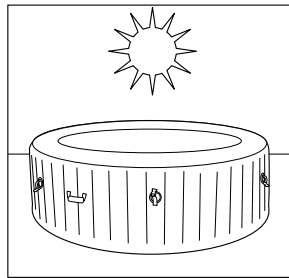
Aufpumpen des Spas am Morgen.



Die Luft dehnt sich in der Mittagshitze aus. Das Überdruckventil gibt überschüssige Luft frei.

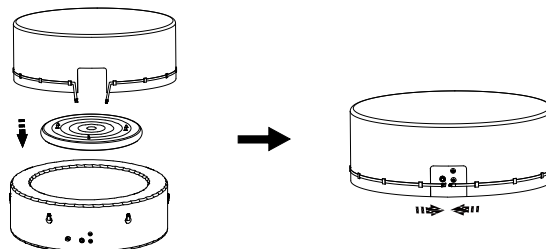


Kältere Temperaturen in der Nacht führen dazu, dass das Spa weniger aufgeblasen wirkt.



Die Luft dehnt sich in der Mittagshitze aus und der korrekte Luftdruck ist wiederhergestellt.

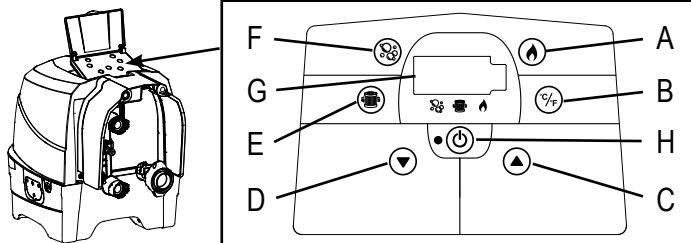
Für #28476:



HINWEIS: Wenn die Luftkammer der Whirlpool-Abdeckung nicht in den Whirlpool passt, weil sie zu stark aufgepumpt ist, lassen Sie etwas Luft aus der Luftkammer, bis sie passt.

BEDIENUNG

WHIRLPOOL BEDIENFELD (STEUEREINHEIT-OBERTEIL)



- A: Taste Heizen
- B: Celsius/Fahrenheit-Umschalter
- C: Taste Temperatur erhöhen
- D: Taste Temperatur senken
- E: Wasserfilter-Taste
- F: Bubble-Taste
- G: LED Display
- H: Taste Aus/Ein



Taste Aus/Ein: Sobald das Gerät an die Stromversorgung angeschlossen ist, verwenden Sie diese Taste um alle Anwendungen durchzuführen. Das Lämpchen neben der Taste leuchtet grün sobald dieses aktiviert ist. Drücken Sie diesen Knopf um alle momentan aktivierten Funktionen wieder auszuschalten.

HINWEIS: Der schwarze Aus/Ein-Knopf kann ein schwarzer Knopf in der Mitte des Bedienpanels sein.



Taste Heizen: Verwenden Sie diesen Schalter, um das Heizungssystem zu aktivieren. Die Pumpe erwärmt das Wasser im Whirlpool, bis die Wassertemperatur die eingestellte Temperatur erreicht hat. Wenn die Wassertemperatur des Whirlpools um 1 bis 2°C (1,8 bis 3,6°F) unter die voreingestellte Temperatur fällt, wird das Erheizungssystem wieder aktiviert. Wenn die Kontrollleuchte über der Taste Heizen rot aufleuchtet, ist das Heizsystem eingeschaltet. Wenn das Flammensymbol grün leuchtet, hat das Wasser die voreingestellte Temperatur erreicht. Das Erheizungssystem ist im Stand-by-Modus und das Filtersystem wird kontinuierlich laufen.

HINWEIS: Um das Filtersystem auszuschalten, während der Erhitzer im Stand-by-Modus ist, drücken Sie zuerst die Flammen-Taste und dann die Filter-Taste. Wenn Sie nur die Flammen-Taste drücken, wenn der Erhitzer im Stand-by-Modus ist, wird nur das Erheizungssystem ausgeschaltet. Das Filtersystem wird weitere 24 Stunden laufen, bevor es sich automatisch ausschaltet.

WICHTIG: Folgende Bedingungen führen zu einer langsameren Wassererwärmung:

Die Umgebungstemperatur liegt unter 10°C.

Die Windstärke liegt über 3,5-5,4 m/s

Die Bubble-Funktion ist aktiviert, während das Wasser erhitzt wird.

Der Whirlpool ist nicht richtig mit der Abdeckung bedeckt, während das Wasser erhitzt wird.



Celsius/Fahrenheit-Umschalter:

Die Temperatur kann in Fahrenheit oder Celsius angezeigt werden. Drücken Sie zum Umschalten einfach diese Taste. Die Standardeinstellung ist Celsius.

HINWEIS: Die voreingestellte Temperatur beträgt 20°C (68°F). Der Temperatureinstellbereich reicht von 20°C (68°F) bis 40°C (104°F).



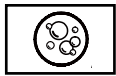
Tasten Temperatureinstellung: Beim Drücken der Tasten Temperatur Anheben oder Temperatur Absenken blinkt die LED auf. Während sie aufblinkt, können Sie die gewünschte Temperatur einstellen. Wenn Sie diese Tasten gedrückt halten, werden die Werte schnell ansteigen oder abnehmen. Die neue gewünschte Temperatureinstellung wird für 5 Sekunden zur Bestätigung des neuen Werts auf der LED angezeigt.



Wasserfilter-Taste:

Diese Taste dient zum Ein- und Ausschalten der Filterpumpe. Wenn das Heizsystem eingeschaltet ist, startet das Filtersystem automatisch – dies ist normal.

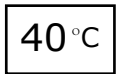
Das Licht über dem Wasserfilter-Knopf leuchtet grün, wenn die Funktion aktiviert ist.



Bubble-Taste: Verwenden Sie diese Taste, um die Massage-Funktion zu aktivieren.

Die automatische Abschaltung erfolgt nach 30 Minuten. Das Licht über dem Sprudel-Knopf leuchtet grün, wenn die Funktion aktiviert ist.

ACHTUNG: Verwenden Sie die Bubble-Funktion nicht, wenn die Abdeckung am Whirlpool angebracht ist. Es kann sich die Luft im Inneren des Whirlpools ansammeln und zu irreparablen Schäden und Körperverletzung führen.




LED- Display: Nach dem Einschalten zeigt die LED automatisch die Wassertemperatur an.

HINWEIS: Das integrierte Kalkschutzsystem arbeitet automatisch zusammen mit dem Filtersystem.

⚠️ WARNUNG

Benutzen Sie den Whirlpool NIEMALS, wenn die angezeigte Wassertemperatur bei über 40°C (104°F) liegt!

LED-CODE-TABELLE

LED-Anzeige	URSACHE	LÖSUNG
E90	Kein Wasserdurchfluss	<ul style="list-style-type: none"> • Schalten Sie ab und ziehen Sie den Netzstecker der Steuereinheit. • Stellen Sie sicher, dass das Abdeckgitter der Filterkartuscheneinheit sauber und frei von Hindernissen ist. • Reinigen oder ersetzen Sie die Filterkartusche, siehe Abschnitt Wartung und Lagerung. • Stellen Sie sicher, dass die Einlass- und Auslassanschlüsse an Whirlpool und Filterpumpe nicht blockiert sind. • Achten Sie darauf, dass das Wasser des Whirlpools richtig desinfiziert wird, damit der Filtereinsatz sauber bleibt und nicht verstopft. • Wenn das Problem weiterhin besteht, kontaktieren Sie das Intex-Service-Center.
E94	Zu niedrige Wassertemperatur	<ul style="list-style-type: none"> • Liegt die Umgebungstemperatur unter 4°C, empfehlen wir, den Whirlpool nicht zu benutzen. • Schalten Sie ab und ziehen Sie den Netzstecker der Steuereinheit. Fügen Sie etwas warmes Wasser hinzu, um die Wassertemperatur des Whirlpools auf über 5°C (41°F) zu erhöhen, drücken Sie dann die  Taste, um das Wasser auf die gewünschte Temperatur aufzuwärmen. • Wenn das Problem weiterhin besteht, kontaktieren Sie das Intex-Service-Center.
E95	Zu hohe Wassertemperatur	<ul style="list-style-type: none"> • Schalten Sie ab und ziehen Sie den Netzstecker der Steuereinheit. Wenn das Wasser abgekühlt ist, schalten Sie den FI ein und starten Sie alles wieder neu. • Schalten Sie die Heizung aus; drücken Sie dann die Filter- und Bubble-Tasten, um die Wassertemperatur zu senken. • Wenn das Problem weiterhin besteht, kontaktieren Sie das Intex-Service-Center.
E96	System Fehler	<ul style="list-style-type: none"> • Schalten Sie ab und ziehen Sie den Netzstecker der Steuereinheit. Schalten Sie den FI ein und wieder und starten Sie alles wieder neu. • Wenn das Problem weiterhin besteht, kontaktieren Sie das Intex-Service-Center.
E97	Trocken-Brandschutz	<ul style="list-style-type: none"> • Kontaktieren Sie das Intex Service-Center.
E99	Defekter Wassertempersensor	<ul style="list-style-type: none"> • Kontaktieren Sie das Intex Service-Center.
END	Nach 72 Stunden ununterbrochenem Heizbetrieb wechselt die Pumpe automatisch in den Ruhezustand. Die Schnellaufheiz- und Wasserfiltrierungs-Funktionen sind deaktiviert.	<ul style="list-style-type: none"> • Drücken Sie die Taste für den Wasserfilter, um die Filterpumpe erneut zu aktivieren.

MINIMIERUNG VON WÄRMEVERLUSTEN UND RATSCHLAG ZUM ENERGIEVERBRAUCH

- 1) Lassen Sie immer die Abdeckung auf dem Becken, um Wärmeverluste beim Erwärmen des Spa nach jedem Gebrauch zu vermeiden (aber nicht während der Nutzung). Sorgen Sie zur Maximierung der Wärmedämmung dafür, dass die Abdeckung gemäß Herstelleranweisungen fest aufliegt. Es empfiehlt sich, die Abdeckung vom Boden fern zu halten, wenn sie nicht benötigt wird, um die Verschmutzungsgefahr auszuschalten (besonders die Fläche, die der Oberfläche des Spa-Wassers zugewandt ist). Die Abdeckung sollte an einer geeigneten Stelle aufbewahrt werden, an der sie weder Schaden nehmen noch Schäden hervorrufen kann.
- 2) Überprüfen Sie die eingestellte Wassertemperatur und planen Sie für die Zeiten, zu denen der Spa normalerweise nicht in Gebrauch ist, eine Absenkung der Temperatur.
- 3) Je nach Umgebungsbedingungen sollten Sie die Heizung eventuell komplett abstellen, wenn der Spa längere Zeit nicht gebraucht wird (sofern der Spa diese Option anbietet, wobei aber die Rest-Desinfektion bzw. pH-Werte gehalten werden).
- 4) Denken Sie daran, dass der angenehme Temperaturbereich niedriger ist als die sichere Maximaltemperatur.
- 5) Verwenden Sie den mitgelieferten Bodendämmstoff unter dem Spa, um Wärmeverluste am Spa-Boden vorzubeugen.
- 6) Halten Sie die Filter sauber, damit die Pumpe in einem optimalen Betriebszustand bleibt und damit ein unnötiges Austauschen und Aufheizen des Wassers vermieden wird.

INSTANDHALTUNG UND CHEMIKALIEN

⚠️ WARNUNG

Ziehen Sie immer den Netzstecker, bevor Sie das Gerät reinigen, ersetzen, warten, etc.

Wasserpflege

Der Whirlpool Besitzer muss den Wasserhaushalt regelmäßig kontrollieren und einstellen (wenn nötig, täglich). Durch Zugabe von Desinfektionsmittel werden Viren und Bakterien abgetötet. Die Aufrechterhaltung eines ordnungsgemäßen Wasserhaushaltes durch Verwendung von geeigneten Desinfektionsmitteln ist der wichtigste Faktor zur Sicherstellung von sauberem, gesundem und unschädlichem Wasser. Sie verlängert auch die Lebensdauer Ihres Whirlpools. Richtiges Testen des Wassers bzw. die richtige Behandlung des Poolwassers sind wichtig. Mit Fragen zu Chemikalien, Test-Sets und Testverfahren wenden Sie sich an Ihren Schwimmbad- und Whirlpool Spezialisten.

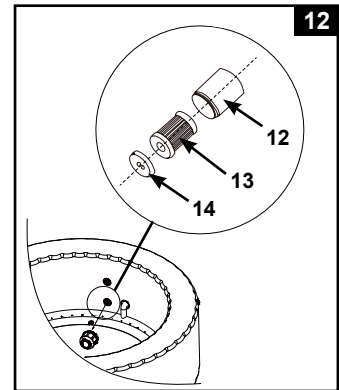
ACHTUNG: Befolgen Sie immer die Anweisungen des Chemikalien-Herstellers und die Warnhinweise.

Während der Pool benutzt wird, dürfen keine Chemikalien beigesetzt werden, Haut- und Augenreizungen können auftreten. Eine konzentrierte Chlorlösung kann Schäden am Whirlpool verursachen. In keinem Fall können die Firma Intex sowie alle Tochterfirmen und Servicecenter, Einzelhändler oder Angestellte zur Verantwortung gezogen werden bezüglich anfallender Kosten auf Grund von Wasserverlust, schlechter Wasserqualität oder falscher Verwendung von Chemie.

Pflege des Whirlpool-Wassers und der Filterkartusche

Schützen Sie alle Pool Benutzer vor möglichen wasserbezogenen Krankheiten, indem Sie das Wasser im Whirlpool sauber halten und desinfizieren. Sorgen Sie für eine regelmäßige Pflege! Um eine saubere Wasserqualität zu gewährleisten, folgen Sie diesem Prozedere:

1. Kontrollieren und reinigen Sie die Filterkartusche jeden Tag und wechseln Sie die Filterkartusche alle 3 Tage.
 - a. Schrauben Sie das Filterkartuschengehäuse von der Whirlpool-Wand und entnehmen Sie die Kartusche. **Siehe Abb. 12.**
 - b. Verwenden Sie den Gartenschlauch um die Filterkartusche zu reinigen. Wenn die Filterkartusche verschmutzt bleibt und sich verfärbt, muss diese ersetzt werden. Halten Sie Ersatz-Filterkartuschen bereit.
 - c. Setzen Sie die saubere Filterkartusche wieder in das Filterkartuschengehäuse und bauen Sie das Gehäuse mit der gereinigten Kartusche wieder in die Whirlpool-Wand ein.
2. Wechseln Sie das Whirlpool-Wasser alle zwei Wochen. Für Details siehe Abschnitt "Whirlpool Entleerung" und "Whirlpool Reinigung".
3. Verwenden Sie Pool-Chemie um eine saubere Wasserqualität zu erhalten. Hieraus resultierende Schäden durch Chemikalien und falsche bzw. nicht richtig eingestellte Wasserwerte werden nicht von der Garantie abgedeckt.
4. Benutzer müssen sich, bevor Sie den Whirlpool benutzen, duschen.



Wasser-Chemie-Balance

Halten Sie den pH-Wert des Whirlpoolwassers zwischen 6,8 und 7,6, die Gesamtalkalität zwischen 60 und 120 ppm und den Chlorgehalt zwischen 2 und 4 ppm. Verwenden Sie die mitgelieferten Teststreifen um das Whirlpoolwasser vor jeder Verwendung zu testen. Diese Tests sollten unabhängig davon mindestens einmal pro Woche durchgeführt werden.

Mit den Teststreifen können Sie das freie Chlor, den pH-Wert, Härte des Wassers sowie die Gesamtalkalität gleichzeitig messen:


1. Den Streifen vollkommen in Wasser tauchen und sofort herausnehmen.
2. Halten Sie den Streifen für 15 Sekunden (überflüssiges Wasser nicht vom Streifen schütteln).
3. Vergleichen Sie das Streifenfeld für freies Chlor, pH und Gesamtalkali mit den Farben der Tabelle auf der Verpackungsmarkierung.

Hinweis: Überprüfen Sie das Verfallsdatum der Teststreifen, da die Testergebnisse möglicherweise ungenau sein können, wenn diese nach dem Verfallsdatum verwendet werden.

Ein niedriger pH Wert kann den Whirlpool und die Pumpe beschädigen. Schäden, die durch falsche eingestellte Wasserwerte entstehen, werden nicht von der Garantie abgedeckt.

Verwenden Sie den mitgelieferten Chlordosierschwimmer (Chlortabletten-Durchmesser: kleiner als 2,5 cm) im Whirlpoolwasser. Geben Sie eine Tablette in den Spender. Beachten Sie immer die Hinweise des Chemieherstellers. Entfernen Sie den Chlordosierschwimmer, wenn Sie den Whirlpool benutzen.

Lassen Sie niemals Chlor mit dem Whirlpool in Kontakt kommen, wenn das Chlor nicht vollständig aufgelöst ist. Spülen Sie alle Leitungen mit vorbehandeltem Wasser jeden Tag eine Stunde lang, indem Sie die Bläsfunktion einschalten.

Wichtig: Drücken Sie die Taste  auf der Bedienungseinheit um das Luftgebläse einzuschalten. Dies hilft, die Wasserpflegemittel im Whirlpool besser aufzulösen.

Mischen Sie niemals verschiedene Chemikalien. Geben Sie die Chemie immer einzeln in das Whirlpoolwasser. Achten Sie immer darauf, dass die Chemikalie vollständig aufgelöst ist, bevor Sie die nächste ins Wasser geben.

CHEMIE UND AUSGEWOGENHEIT DES WHIRLPOOL-WASSERS (Fortsetzung)

Kalziumhärte (CaCO₃): Bezieht sich auf die Kalzium- und Magnesiummenge, die im Wasser aufgelöst ist. Folge, wenn zu niedrig – Probleme mit dem Wassergleichgewicht, Korrosion der Metallteile, Augen- und Hautreizungen sowie aufschäumendes Wasser.

Folge, wenn zu hoch – Kesselsteinbildung, trübes Wasser, Haut- und Augenreizungen, Probleme mit dem Wassergleichgewicht und Ineffizienz des Filters/Heizelements.

Sättigungsindex (SI): Temperatur, Kalziumhärte/-konzentration, Gesamtalkalität und der pH-Wert sind die Hauptfaktoren, die die Kesselsteinbildung beeinflussen. Ob das Wasser dazu neigt, eher Kesselstein zu bilden oder Korrosion zu verursachen, wird durch den Sättigungsindex angegeben (SI):

$$SI = pH + TF + CF + AF - 12.1$$

*Wo TF = Temperaturfaktor; CF = Kalziumhärtefaktor; AF = Gesamtalkalitätsfaktor

Wassertemperatur		TF	Kalziumhärte (ppm)	CF	Gesamtalkaligehalt (ppm)	AF
(°C)	(°F)					
8	46	0.2	75	1.5	50	1.7
12	54	0.3	100	1.6	75	1.9
16	61	0.4	150	1.8	100	2.0
19	66	0.5	200	1.9	150	2.2
24	75	0.6	250	2.0	200	2.3
29	84	0.7	300	2.1	300	2.5
34	93	0.8	400	2.2	400	2.6
40	104	0.9	500	2.3	--	--

Prüfen Sie den pH-Wert, die Temperatur, die Kalziumhärte und die Gesamtalkalität des Wassers. Verwenden Sie die entsprechenden Faktoren in der SI-Gleichung.

SI = 0, im Gleichgewicht

Falls SI > 0, Kesselstein oder trübes Wasser.

Falls SI < 0, Korrosion der Metalle oder Haut- und Augenreizungen.

Der SI gilt als zufriedenstellend, wenn der Wert sich in dem Bereich von -0,3 bis +0,3 befindet. Null ist perfekt.

Anpassung des Whirlpoolwassers

So stellen Sie die chemische Balance des Whirlpoolwassers wieder her, wenn die Werte außerhalb des Bereichs liegen.

VORSICHT: Folgen Sie stets den Anleitungen des Chemikalienherstellers und den Gesundheits- und Risikowarnungen.

Anpassen der Gesamtalkalität (TA)

Nehmen Sie die Whirlpool-Abdeckung ab, um das Wasser zu lüften, und prüfen Sie mit den beiliegenden Teststreifen die chemischen Werte. Stellen Sie zunächst sicher, dass der Chlorgehalt zwischen 2 bis 4 ppm liegt, da Chlor das TA-Testergebnis beeinträchtigen wird.

Ist der TA-Wert (und nicht der pH) höher als 120 ppm, muss zur Senkung des TA-Werts die entsprechende Chemikalie zugesetzt werden.

Ist der TA-Wert niedriger als 60 ppm, muss zur Erhöhung des TA-Werts die entsprechende Chemikalie zugesetzt werden.

ANMERKUNG: Prüfen Sie nach der Anpassung das Wasser nach 24 Stunden erneut und passen Sie die chemischen Werte gegebenenfalls weiter an.

pH-Anpassung

Wenn die Gesamtalkalität entweder auf 120 ppm gesenkt oder auf 80 ppm erhöht wurde und der pH-Wert immer noch hoch oder niedrig ist, geben Sie die entsprechende Chemikalie hinzu, um den pH-Wert auf 6,8 bis 7,6 zu regulieren.

Anpassung der Kalziumhärte

Prüfen Sie mit den beiliegenden Teststreifen die Wasserhärte und regulieren Sie diese mit einer geeigneten Chemikalie.

WARNUNG

Handhaben Sie alle Chemikalien mit Vorsicht und tragen Sie eine zusätzliche persönliche Schutzausrüstung, unter anderem Schutzbrille und Handschuhe. Es ist äußerst wichtig, dass keine Säure auf Ihre Haut oder Kleidung oder in Ihre Augen spritzt.

CHEMIE UND AUSGEWOGENHEIT DES WHIRLPOOL-WASSERS

Parameter	Werte ^a
Klarheit des Wassers	Klarer Sicht bis auf den Beckenboden
Gesamtalkaligehalt (TA) in mg/l	60 - 120
Kalziumhärte (CaCO ₃) in mg/l	150 - 250
Farbe des Wassers	Es sollte keine Färbung zu sehen sein ^{b, c}
Trübheit in FNU/NTU	max. 1.5 (vorzugsweise unter 0,5)
Nitratkonzentration über dem des Füllwassers in mg/l	max. Differenz von 20 verglichen mit der Füllwasserkonzentration
Gesamter organischer Kohlenstoff (TOC) in mg/l ^d	max. 4.0
Redoxpotenzial in Abhängigkeit von Ag/AgCl 3,5 m KCl in mV	min. 650
pH Wert ^{e, f}	6.8 - 7.6
Freies aktives Chlor (ohne Cyanursäure) in mg/l	0.3 - 1.5 ^g
Brom in mg/l	2.0 - 4.0 ^h

Bei der Verwendung von alternativen Desinfektionsmitteln gelten eventuell andere angemessene Parameter.

- a In Bezug auf Abweichungen sind die nationalen Vorschriften und Richtlinien zu beachten.
b Natürliche Wasserquellen können eine Wasserfärbung auslösen.
c Eine absichtliche Wasserfärbung wird ausgeschlossen.
d Wenn organische Verbindungen verwendet werden, ist dieser Wert möglicherweise höher.
e Abhängig von dem (den) verwendeten Flockungsmittel(n) (sofern zutreffend).
f Ist der pH-Wert höher als 7,5, beträgt der freie aktive Chlorgehalt unter 50 %.
g Die allgemein empfohlene Konzentration von freiem Chlor im Wasser beträgt 0,3 bis 1,5 mg/l. Um die Hygiene bei Spa-Wasser zu wahren, bei dem das Wasser erwärmt wird und das Verhältnis von Wasservolumen zur Anzahl der Benutzer niedrig ist, ist ein vorübergehendes Überschreiten dieser Konzentration durch manuelles Dosieren zulässig, sofern die Gesundheit der Benutzer dadurch nicht gefährdet wird. Deshalb ist eine Konzentration zwischen 2,0 und 4,0 mg/l akzeptabel. Dies wird auch von der US-amerikanischen Umweltschutzbehörde (EPA) und dem am. Ministerium für Gesundheitspflege und soziale Dienste (CDC) empfohlen. Verwenden Sie keine Cyanursäure.
h Eine vorübergehende Überschreitung durch manuelle Dosierung und einem geringen Verhältnis aus Wasservolumen und Anzahl der Benutzer ist zulässig, sofern für die Gesundheit der Benutzer keine Gefahr besteht.

Besondere Sorgfalt ist bei der chemischen Behandlung des Wassers geboten, insbesondere die Beachtung der Desinfektionsmittelgrenzen und die Kontrolle der pH-Werte. Die Verwendung von Ozon oder UV sollte, soweit zutreffend, immer von einer Restdesinfektion mit einem oxidierenden Biozid (wie z. B. Chlor oder Brom oder anderen Biozid-Produkten gemäß Herstellerempfehlungen) begleitet werden. Ein fehlerhafter Gebrauch von Chemikalien kann zu einer Verschlechterung, Schädigung oder zu sonstigen Fehlstellen an den Spa-Oberflächen und anderen Spa-Komponenten führen (in der Regel zur Verfärbung von Materialien oder zur Korrosion von Metallteilen).

Freies Chlor: ist der im Whirlpoolwasser vorhandene Restchlorgehalt.

Folge, wenn zu niedrig – Desinfektion ist nicht ausreichend.

Folge, wenn zu hoch – verursacht Gerüche, Haut- und Augenreizungen, Korrosion der Metallteile und anderer Materialien.

pH: ein Wert, der angibt, wie sauer oder basisch das Whirlpoolwasser ist.

Folge, wenn zu niedrig – Verrostete Metallteile, Augen- und Hautreizung, Zerstörung des Gesamtalkaligehaltes.

Folge, wenn zu hoch – Kesselsteinbildung, trübes Wasser, kürzere Filter-/Heizzyklen, Haut- und Augenreizungen, schlechte Chlorwirkung.

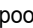
Gesamtalkaligehalt (TA): Zeigt das Niveau des Wasserwiderstandes an, den pH-Wert zu ändern. Er bestimmt die Geschwindigkeit und Leichtigkeit der pH-Änderung, deshalb immer Gesamtalkaligehalt angleichen, bevor das pH-Niveau angeglichen wird.

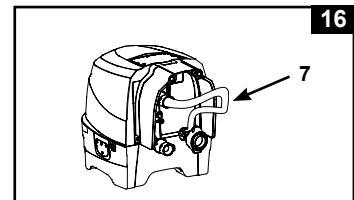
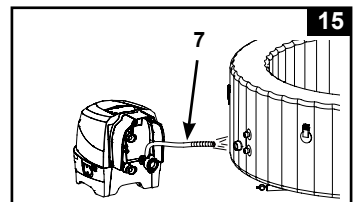
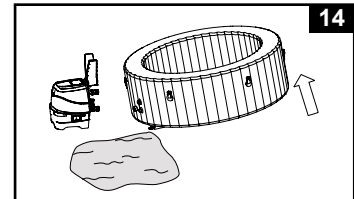
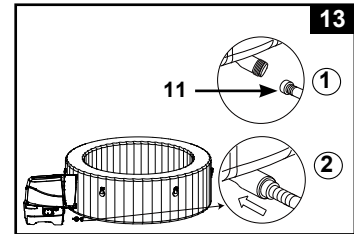
Folge, wenn zu niedrig – Verrostete Metallteile, Augen- und Hautreizungen. Niedriger Alkaligehalt führt zu unstabilem pH-Wert.

Ergebnis zu hoch – Kesselsteinbildung, trübes Wasser, kürzere Filter-/Heizzyklen, Haut- und Augenreizungen, Folge, wennhoher Chlorbedarf.

INSTANDHALTUNG

Entleeren des Whirlpools

- Schalten Sie die Spa Steuereinheit ab.
- Schließen Sie den Ablassventil Adapter an einen Gartenschlauch an. Das andere Ende des Gartenschlauches geben Sie an eine für die Wasserentsorgung geeignete Stelle.
- Entfernen Sie die Abdeckkappe des äußeren Ablassventils und befestigen Sie den Ablassventil Adapter an das Ablassventil. **Siehe Abb. 13.**
- Öffnen Sie im Inneren der Whirlpool-Wanne die Abdeckung für das Ablassventil. Das Wasser beginnt, über den Gartenschlauch abzufließen.
- Wenn das Wasser herausgelaufen ist, trennen Sie die Whirlpool Steuerung von der Wand der Whirlpool-Wanne. Heben Sie die Whirlpool-Wand auf der dem Abfluss entgegengesetzten Seite an, damit etwa verbleibendes Wasser in den Abfluss geführt wird und Sie den Whirlpool komplett entleeren können. **Siehe Abb. 14.**
- Bringen Sie den Füllschlauch (7) am Luftgebläseventil an der Steuereinheit an.
- Schalten Sie den Whirlpool ein und drücken Sie den  Knopf, richten Sie den Füllschlauch an Ein/Auslass des Spa-Beckens und der Spa-Steuereinheit aus, damit das Wasser in den Rohrleitungen austrocknet. **Siehe die Zeichnungen 15 & 16.**
- Verwenden Sie ein sauberes Handtuch um das restliche Wasser und die Feuchtigkeit vom Whirlpool und vom Steuergerät aufzusaugen.
- Stellen Sie sicher, dass die Steuereinheit und die Wanne des Whirlpools gründlich getrocknet sind.
HINWEIS: Die im Lieferumfang enthaltenen Verschlusskappen (15) können verwendet werden, um innen im Whirlpool die Verbindungsstücke für den Wasserzugang und -abfluss zu bedecken. Dies verhindert, dass Wasser ausfließt.



Whirlpool Reinigung

Wenn Schmutz sichtbar im Wasser ist oder das Wasser trüb wird und die Chemie den Schmutz nicht lösen kann, wechseln Sie das Wasser und reinigen Sie den Whirlpool. Siehe auch "Entleeren des Whirlpools", hier können Sie sehen, wie man das Wasser aus dem Whirlpool auslässt.

Wenn der Whirlpool leer ist, entfernen Sie das Filtergehäuse aus dem Inneren des Whirlpools und reinigen oder ersetzen Sie die Filterkartusche. Verwenden Sie einen Schwamm mit einer milden Seifenlösung um Schmutz und Flecken im inneren des Whirlpools zu entfernen. Spülen Sie den Whirlpool gut aus, bevor Sie ihn mit neuem Wasser befüllen.

Wichtig: Verwenden Sie keine Stahlwolle, harte Bürsten oder Scheuermittel.

Biofilm-Beseitigung

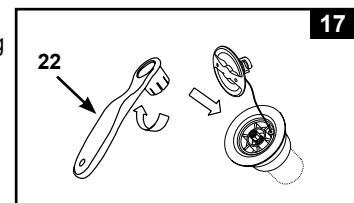
Produkte und Ratschläge zur Beseitigung des Biofilms erhalten Sie bei Ihrer örtlichen Spa-Fachhandlung.

Befestigung des Luftventils des Whirlpools

Überprüfen Sie vor der Benutzung das Luftventil des Whirlpools auf Undichtigkeiten und Festigkeit. Falls Luft aus dem Luftventil austritt, verwenden Sie den im Lieferumfang enthaltenen Schraubenschlüssel (22), um das Luftventil wie folgt anzuziehen:

- Stellen Sie sicher, dass alle Luft aus dem Whirlpool herausgelassen wurde, öffnen Sie die Abdeckung des Luftventils und legen Sie den Schraubenschlüssel (22) um den Körper des Luftventils. **Siehe Abb. 17.**
- Halten Sie die Rückseite der Basis des Luftventils mit einer Hand von der Innenseite der Wand des Whirlpools entfernt und drehen Sie den Schraubenschlüssel (22) im Uhrzeigersinn.

WICHTIG: Verstellen Sie die Basis des Luftventils niemals, wenn der Whirlpool gerade benutzt wird oder mit Wasser gefüllt ist. Verwenden Sie den Luftventilschlüssel nur, wenn das Luftventil undicht ist. Überspannen Sie das Luftventil nicht (eine Überspannung kann das Ventil beschädigen). Stellen Sie sicher, dass dieses ordentlich geschlossen und dicht ist.



Whirlpool-Abdeckung

Überprüfen Sie regelmäßig die Abdeckung des Whirlpools auf Undichtigkeiten, vorzeitigen Verschleiß, Schäden oder Anzeichen für Alterung. Verwenden Sie niemals eine abgenutzte oder beschädigte Abdeckung, denn diese bietet Ihnen nicht das Ausmaß an Schutz, das erforderlich ist, damit nicht etwa Kinder den Whirlpool unbeaufsichtigt benutzen können. Reinigen Sie Abdeckung regelmäßig von innen und außen mit einem Schwamm und einer geeigneten Lösung, die für eine adäquate Desinfektion sorgt (10 mg pro Liter freies Chlor). Verwenden Sie keine Stahlwolle, harte Bürsten oder Scheuermittel.

INSTANDHALTUNG (Fortsetzung)

Spa-Umrandung

Die Barfußbereiche und Relax-Zonen rund um den Spa sollten regelmäßig gereinigt werden. In das Becken oder in den Spa-Wasserkreislauf darf kein Reinigungswasser fließen. Schmutz und Reinigungsmittel müssen ausnahmslos über die Spa-Umrandung abgeleitet werden.


Reparatur des Whirlpools und der aufblasbaren Whirlpool Abdeckung

Benutzen Sie das mitgelieferte Reparaturset um kleine Einstiche oder Löcher zu reparieren:

- Säubern und trocknen Sie den zu reparierenden Bereich gründlich.
- Entfernen Sie das untere Papier des Reparatursets und drücken Sie den Flicker fest auf das Loch. Glätten Sie die Oberfläche um mögliche Luftblasen unter dem Flicker zu entfernen.

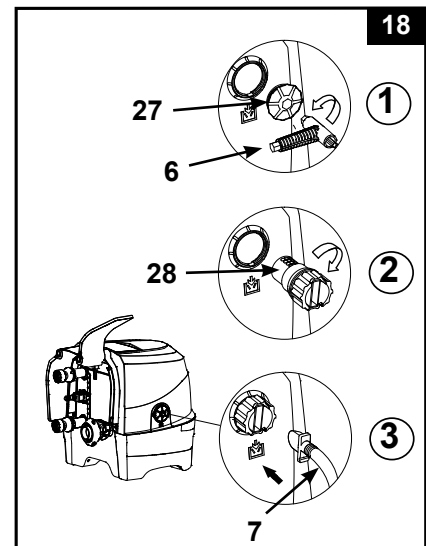
LAGERUNG

In Gebieten mit Frostgefahr sollten der Spa sowie alle zugehörigen Komponenten im geschlossenen Raum abgeleitet, gereinigt, demontiert sowie korrekt eingelagert werden, wenn die Temperatur unter 4°C sinkt.

1. Entleeren und reinigen Sie den Whirlpool nach dem Abschnitt "Entleeren des Whirlpools" und "Whirlpool Reinigung".
2. Kehren Sie die Aufbau-Anweisungen um, um die Luft aus der Whirlpool-Wanne und der aufblasbaren Whirlpoolabdeckung herauszulassen und beides ebenso wie die Steuereinheit des Whirlpools wieder abzubauen.
3. Um die Luft aus der Whirlpool-Wanne und der aufblasbaren Whirlpool-Abdeckung herauszulassen:
 - a) Öffnen Sie den Entleerungsschraube (27) mit dem mitgelieferten Schraubenschlüssel (6) (siehe Zeichnung 18).
 - b) Stecken Sie den Entleerungsadapter (28) in den Luftauslass.
 - c) Stecken Sie den Füllschlauch (7) an den Entleerungsadapter (28).
 - d) Stecken Sie das andere Ende des Füllschlauches in das Luftventil der Whirlpool Wanne oder der Whirlpool Abdeckung.
 - e) Drücken Sie die  Taste, um die Luft herauszulassen.
 - f) Wenn die Luftentleerung laut obiger Schritte erfolgt ist, stellen Sie sicher, dass die Entleerungsschraube (27) sicher befestigt ist.

Vorsicht: Nur zu dem in diesem Handbuch beschriebenen Zweck benutzen. Halten Sie den Füllschlauch von Wasser oder kleinen Objekten fern, wenn die Luftablassfunktion aktiviert ist, um Beschädigungen am Gebläsemotor zu verhindern.

4. Stellen Sie sicher, dass alle Whirlpool Teile und das Zubehör gründlich sauber und getrocknet sind, bevor Sie den Whirlpool einlagern. Trocknen Sie den Whirlpool etwa eine Stunde an der Luft in der Sonne, bevor Sie ihn zusammenfalten.
5. Falten Sie den Whirlpool locker zusammen und vermeiden Sie dabei scharfe Ecken, um eine Beschädigung zu verhindern, ebenso wie ein Auslaufen auf die Bodenschutzplane.
6. Halten Sie neue Filterkartuschen für die nächste Benutzung bereit.
7. Lagern Sie den Whirlpool und das Zubehör im Haus an einem trockenen, temperierten Ort 0° – 40°C (32° – 104°F).
8. Die Originalverpackung kann zur Lagerung verwendet werden.



ANLEITUNG ZUR FEHLERBEHEBUNG

PROBLEM	URSACHE	LÖSUNG
KEIN DISPLAY/SPA STEUEREINHEIT FUNKTIONIERT NICHT	<ul style="list-style-type: none"> Spa ist ausgeschaltet. Bedienfeldstecker ist locker. Stromausfall. FI-Schalter wurde ausgelöst. FI-Schalter ist defekt. 	<ul style="list-style-type: none"> Versichern Sie, dass der SPA angeschlossen und eingeschaltet ist. Vergewissern Sie sich, dass der Bedienfeld-Netzstecker fest an der Steuereinheit angebracht ist. Stromquelle kontrollieren. Setzen Sie den FI-Schalter zurück. Kontaktieren Sie das Intex Service-Center.
HAUSHALTSSCHUTZSCHALTER (FI) WURDE AUSGELÖST	<ul style="list-style-type: none"> Schutzschalter (FI) unterschätzt. Überlasteter Schutzschalter. Elektrischer Defekt in der Leitung. 	<ul style="list-style-type: none"> Prüfen Sie die Fehlerstromangaben des FI. Beschaffen Sie einen eigenen FI, der nur die Steckdose des Whirlpools versorgt. Kontaktieren Sie einen qualifizierten Elektriker um die Störung zu beheben.
PUMPE HEIZT NICHT RICHTIG	<ul style="list-style-type: none"> Temperatur zu niedrig eingestellt. Filterkartusche verschmutzt. Die Wassertemperatur nimmt während des Standby-Modus der Heizung ab. Heizelement versagt. 	<ul style="list-style-type: none"> Erhöhen Sie die Temperatur und geben Sie die Abdeckung auf den Whirlpool. Filterkartusche rechtzeitig reinigen oder austauschen. Wenn der Erhitzer im STAND-BY-Modus ist, drücken Sie die Flammen-Taste zweimal, um das Wasser auf die voreingestellte Temperatur zu erwärmen. Kontaktieren Sie das Intex Service-Center.
LUFTGEBLÄSE FUNKTIONIERT NICHT	<ul style="list-style-type: none"> Pumpe zu heiß. 	<ul style="list-style-type: none"> Schalten Sie den Whirlpool aus und ziehen Sie den Netzstecker. Lassen Sie den Whirlpool abkühlen und starten Sie erneut. Wenn das Problem weiterhin besteht, kontaktieren Sie das Intex Service-Center.
FILTERPUMPE FUNKTIONIERT NICHT	<ul style="list-style-type: none"> Filterkartusche verschmutzt. Filter-Ein-bzw. Auslass ist verstopft. Pumpenmotor hat versagt. 	<ul style="list-style-type: none"> Filterkartusche zeitgerecht reinigen/austauschen. Überprüfen und reinigen Sie regelmäßig den Filter-Ein-/Auslass. Kontaktieren Sie das Intex Service-Center.
WASSER VERSCHMUTZT	<ul style="list-style-type: none"> Kartuschengehäuse nicht richtig angebracht. Filtrierzeit nicht ausreichend. Filterkartusche verschmutzt. Schlechte Wasserwartung. Filter Ein-bzw. Auslass ist verstopft. 	<ul style="list-style-type: none"> Stellen Sie sicher, dass das Kartuschengehäuse ordnungsgemäß befestigt wurde. Filtrierzeit erhöhen. Filterkartusche reinigen/austauschen. Halten Sie das Whirlpoolwasser in einem angemessenen keimfreien Zustand. Die Herstelleranleitungen der chemischen Produkte zu Rate ziehen. Überprüfen und reinigen Sie regelmäßig den Filter-Ein-/Auslass.
DIE ANSCHLÜSSE DER PUMPE BEFINDEN SICH NICHT AUF EINER EBENE MIT DEN ANSCHLÜSSEN AM WHIRLPOOL	<ul style="list-style-type: none"> Eine Eigenschaft des Materials PVC ist es, dass es seine Form verändert. Dies ist völlig normal. 	<ul style="list-style-type: none"> Erhöhen Sie die Pumpe mit einem Stück Holz oder einer anderen Art isoliertem Material, um die Anschlüsse der Pumpe auf eine Ebene mit den Anschlüssen am Whirlpool zu bringen.
DIE WANNE HAT EINE SELTSAME/ MERKWÜRDIGE FORM	<ul style="list-style-type: none"> Erhöhter Innen-Luftdruck durch starke Sonneneinstrahlung. 	<ul style="list-style-type: none"> Setzen Sie das Spa nicht für einen längeren Zeitraum direktem Sonnenlicht aus. Bitte überprüfen Sie den Luftdruck und lassen Sie, wenn notwendig etwas Luft ab. Dieser Vorgang ist gerade bei heißem Wetter sehr wichtig um Beschädigungen zu vermeiden!

ANLEITUNG ZUR FEHLERBEHEBUNG (Fortsetzung)

PROBLEM	URSACHE	LÖSUNG
WANNE VERLIERT LUFTDRUCK	<ul style="list-style-type: none"> • Luftventilkappe ist locker. • Luftventilbasis ist locker. • Loch, Schnitt oder Riss im Whirlpool. 	<ul style="list-style-type: none"> • Vergewissern Sie sich, dass die Luftventilkappe gut verschlossen ist. • Füllen Sie das Spa Becken mit Luft, anschließend stellen Sie sicher, dass die Luftventilbasis gut angezogen ist, sehen Sie dazu bitte unter Kapitel "Spa Luftventil Befestigung" nach. • Sprühen Sie etwas Seifenwasser auf die verdächtige Stelle, falls ein Riss oder Loch vorhanden ist, bilden sich an dieser Stelle Bläschen. Nachdem Sie das Leck lokalisieren konnten, reinigen und trocknen Sie die Stelle sorgfältig und reparieren Sie diese mit dem mitgelieferten Reparaturset.
WHIRLPOOL IST UNDICHT ZWISCHEN DEN BECKENANSCHLÜSSEN UND DEN ANSCHLÜSSEN DER STEUEREINHEIT	<ul style="list-style-type: none"> • Spa Steuereinheit-Anschlüsse (Eingang/Ausgang) sitzen nicht fest. • Spa Steuereinheits-Ein-/Ausgang O-Ring fehlt. 	<ul style="list-style-type: none"> • Ziehen Sie die Ein- und Auslassverbindungen fest. • Bedecken Sie den O-Ring mit Vaseline um ihn wasserdicht zu halten bzw. machen. • Entfernen Sie das Gitter im Inneren des Spa mit einem Schraubenzieher, stellen Sie sicher dass der Ein/ Auslass O-Ring am richtigen Platz, gereinigt und nicht beschädigt ist.
SPA ARBEITET IM FILTERMODUS ZU LAUT	<ul style="list-style-type: none"> • Komponenten der Basisstation nicht ordnungsgemäß angebracht. • Untergrund der Basisstation nicht eben und fest. • Motor des Whirlpool-Filters funktioniert nicht. 	<ul style="list-style-type: none"> • Stellen Sie sicher, dass Bedienfeld, hintere Abdeckung und alle Ein- und Auslässe gut und fest angeschlossen sind. • Vergewissern Sie sich, dass der Untergrund eben, fest und gleichmäßig ist. • Ersetzen Sie den defekten Filterpumpenmotor durch einen neuen.
DER LUFTDRUCK IST SCHWACH WÄHREND DES AUFPUMPENS	<ul style="list-style-type: none"> • Der O-Ring des Schlauchadapters fehlt. • Der Adapter des Füllschlauches ist nicht richtig befestigt. • Die Verbindung zwischen dem Schlauchadapter und dem Ausgang des Gebläses und zwischen dem Füllschlauch und dem Füllventil ist locker. • Ausfall des Luftgebläses. 	<ul style="list-style-type: none"> • Prüfen, ob der O-Ring an seinem Platz ist. • Schlauchadapter fest anziehen/neu befestigen. • Während des Aufpumpens handfest anziehen. • Wenn das Problem weiterhin besteht, kontaktieren Sie das Intex Service-Center.
DIE LUFTBLASEN SIND SCHWÄCHER ALS ZUVOR	<ul style="list-style-type: none"> • Der O-Ring fehlt zwischen dem Luftauslass der Steuereinheit und den Whirlpool-Luftzufuhrverbindungen. • Die Luftanschlussmutter ist nicht fest angezogen. • Der Luftblasen-Kanal im Pool ist defekt oder undicht. • Ausfall des Luftgebläses. 	<ul style="list-style-type: none"> • Prüfen, ob der O-Ring an seinem Platz ist. • Alle Muttern handfest anziehen. • Mit dem Flicker etwaige Löcher reparieren. • Wenn das Problem weiterhin besteht, kontaktieren Sie das Intex Service-Center.

WICHTIG

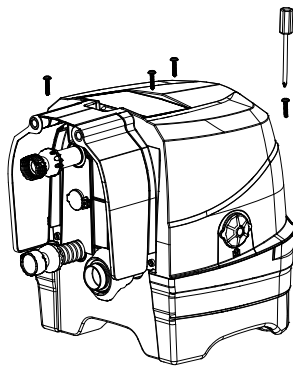
Sollten Sie fortwährend auf Schwierigkeiten stoßen, kontaktieren Sie unsere Kundenservice Abteilung. Siehe die separate „Autorisierte Service Center“ Liste.

AUSBAU DES FILTERPUMPENMOTORS

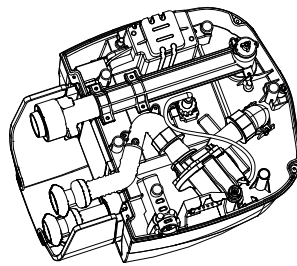
Wenn der Filtermotor ausgetauscht werden muss (nur von einem qualifizierten Techniker), müssen die nachfolgenden Schritte zur Demontage befolgt werden:

WICHTIG: Sie müssen das restliche Wasser im Rohrsystem der Bedieneinheit entleeren, bevor Sie Teile austauschen.

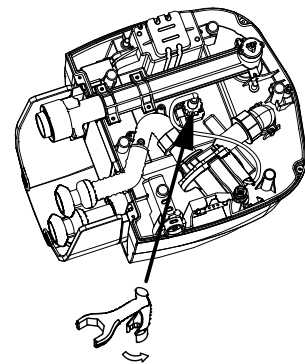
Benötigte Werkzeuge: Ein verstellbarer Schraubenschlüssel & ein Kreuzschlitzschraubenzieher.



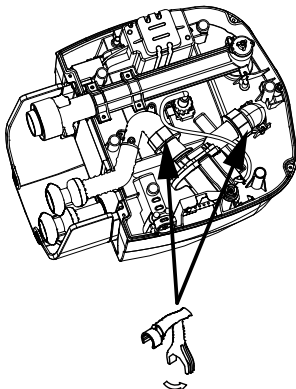
1



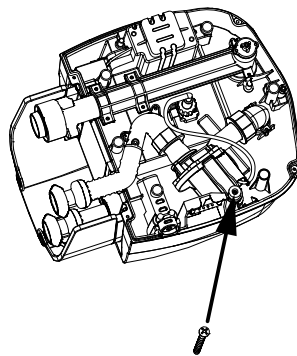
2



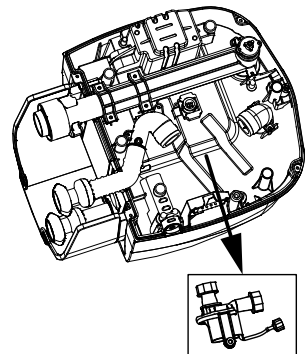
3



4



5



6

HINWEIS: Das "Spezialschlüssel-Werkzeug" ist im Lieferumfang des neuen Ersatz-Filterpumpenmotors enthalten und nicht beim Spa-Set inbegriffen.

GARANTIE

Ihr PureSpa wurde aus hochwertigen Materialien sowie hochwertiger Verarbeitungsqualität hergestellt. Alle Intex-Produkte wurden vor Verlassen des Werks kontrolliert und als mangelfrei befunden. Diese Garantie gilt nur für den PureSpa.

Diese eingeschränkte Garantie gilt nicht anstatt, sondern zusätzlich zu Ihren Rechtsansprüchen und Rechtsmitteln. Soweit diese Garantie unvereinbar mit jeglichen Ihrer Rechtsansprüche ist, haben diese Vorrang. Ein Beispiel: Verbraucherschutzgesetze in der gesamten Europäischen Union sorgen für gesetzliche Gewährleistungsrechte zusätzlich zu dem Bereich, der durch diese eingeschränkte Garantie abgedeckt ist. Für Informationen zu den EU-weiten Verbraucherschutzgesetzen besuchen Sie bitte das Europäische Verbraucherzentrum unter http://ec.europa.eu/consumers/ecc/contact_en/htm.

Die Bestimmungen dieser begrenzten Garantie kann nur der Ersterwerber des Produktes geltend machen und die begrenzte Garantie ist nicht übertragbar. Die Garantie ist gültig für einen Zeitraum von einem (1) Jahr ab Datum des ursprünglichen Kaufes. Bewahren Sie bitte Ihre Kaufquittung mit dieser Bedienungsanleitung auf. Bei allen Garantieansprüchen ist ein Kaufnachweis vorzulegen oder die begrenzte Garantie ist ungültig.

PureSpa Garantie – 1 Jahr

Wenn ein Fabrikationsfehler innerhalb des Garantie-Zeitraumes auftritt, kontaktieren Sie bitte das zuständige INTEX Service Center, das in der separaten "autorisierte Service Center"- Liste aufgeführt wird. Wenn der Artikel zurückgeschickt wurde wie vom Intex Service Center angewiesen, kontrolliert das Service Center den Artikel und stellt die Gültigkeit Ihres Anspruches fest. Wenn der Artikel unter die Garantiebestimmungen fällt, wird er kostenlos repariert oder kostenlos durch einen gleichen oder einen vergleichbaren Artikel (Entscheidung von Intex) ersetzt.

Außer dieser Garantie und anderen Rechtsansprüchen in Ihrem Land sind keine weiteren Garantien impliziert. In dem Ausmaß, das in Ihrem Land möglich ist, haftet Intex unter keinen Umständen gegenüber Ihnen oder einem Dritten für unmittelbare oder daraus folgende Schäden, die sich aus dem Gebrauch Ihres PureSpa ergeben, oder für Handlungen von Intex oder seinen zugelassenen Vertretern und Mitarbeitern (einschließlich der Herstellung des Produkts). Einige Länder oder Rechtsprechungen erlauben keine Ausschließung oder Einschränkung von vorsätzlichen Schäden oder Folgeschäden. Die o.g. Ausschließung oder Einschränkung ist für diese Länder nicht zutreffend.

Folgendes führt zum Ausschluss der eingeschränkten Garantie für den PureSpa bzw. unterliegt nicht der eingeschränkten Garantie:

- Wenn der PureSpa Fahrlässigkeit, unsachgemäßem Gebrauch oder Anwendung, Unfall, missbräuchlicher Verwendung, falscher Spannung oder anderer Stromstärke als in der Bedienungsanleitung angegeben, unsachgemäßer Wartung oder Lagerung ausgesetzt ist;
- Wenn der PureSpa Schäden, die außerhalb des Einflussbereiches von Intex liegen, u.a. gewöhnlicher Verschleiß und Abrieb und Schaden, der durch Brandeinwirkung verursacht wurde, Überschwemmung, Gefrieren, Regen oder anderen äußeren Umwelteinflüssen ausgesetzt ist;
- Wenn der PureSpa gewerblich genutzt wird;
- Teile und Komponenten, die nicht von Intex verkauft wurden und/oder
- nicht genehmigte Änderungen, Reparaturen oder Demontage durch jemanden anderen als das Intex-Service-Center-Personal.

Diese Garantie umfasst nicht die Kosten, die aus dem Auslaufen von Pool-Wasser, von Chemikalien oder Wasserschäden resultieren. Sach-oder Personenschäden fallen ebenfalls nicht unter diese Garantie.

Bitte lesen Sie die Bedienungsanleitung äußerst sorgfältig und beachten Sie alle Anweisungen in Bezug auf den ordnungsgemäßen Betrieb und die Wartung Ihres PureSpa. Kontrollieren Sie das Produkt immer, bevor Sie dieses in Betrieb nehmen. Die Garantie erlischt, wenn die Bedienungsanleitung nicht befolgt wird.

REGOLE PER LA SICUREZZA

Leggere attentamente e capire le istruzioni di seguito riportate prima di montare ed utilizzare il prodotto. Conservare per riferimenti futuri.

PureSpa™ SB-H20

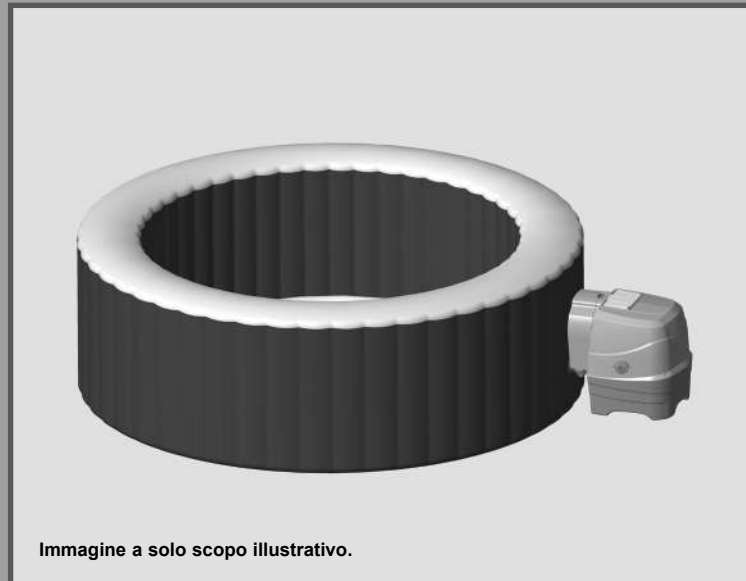


Immagine a solo scopo illustrativo.

Non dimenticate di acquistare anche gli altri prodotti Intex: Le Piscine fuori terra, gli Accessori per piscine, le Piscine gonfiabili, I Prodotti In-Toyz, i Materassi gonfiabili Airbed e i Canotti sono prodotti Intex disponibili presso i rivenditori oppure visitando il sito Internet. A seguito dell'applicazione di una politica di miglioramento continuo dei prodotti, Intex si riserva il diritto, senza preavviso, di modificare le specifiche e l'aspetto dei prodotti, che potrebbero comportare l'aggiornamento del manuale di istruzioni.

INTEX®

©2020 Intex Marketing Ltd. - Intex Development Co. Ltd. - Intex Recreation Corp.
All rights reserved/Tous droits réservés/Todos los derechos reservados/Alle
Rechte vorbehalten. Printed in China/Imprimé en Chine/Impreso en China/
Gedruckt in China.

®™ Trademarks used in some countries of the world under license from/®™ Marques utilisées dans certains pays sous licence de/Marcas registradas utilizadas en algunos países del mundo bajo licencia de/Warenzeichen verwendet in einigen Ländern der Welt in Lizenz von/Intex Marketing Ltd. to/à/a/an Intex Development Co. Ltd., G.P.O Box 28829, Hong Kong & Intex Recreation Corp., P.O. Box 1440, Long Beach, CA 90801 • Distributed in the European Union by/Distribué dans l'Union Européenne par/Distribuido en la unión Europea por/Vertrieb in der Europäischen Union durch/Intex Trading B.V., Venneveld 9, 4705 RR Roosendaal – The Netherlands
www.intexcorp.com

TAVOLA DEI CONTENUTI

Attenzione.....	3-6
Riferimento ai componenti.....	7-8
Istruzioni di montaggio.....	9-14
Istruzioni per il funzionamento.....	15
Tabella dei codici LED.....	16
Suggerimenti per minimizzare la perdita di calore e il consumo di energia.....	17
Manutenzione.....	18-22
Conservazione.....	22
Guida alla localizzazione dei guasti.....	23-24
Disassemblaggio del motore della pompa filtro.....	25
Garanzia limitata.....	26

REGOLE PER LA SICUREZZA

Durante l'installazione e l'utilizzo di questa apparecchiatura elettrica, è fondamentale rispettare le precauzioni di sicurezza basilari, tra cui.

LEGGERE E OSSERVARE TUTTE LE ISTRUZIONI

⚠ PERICOLO

- Rischio di annegamento accidentale (in particolare per i bambini di età inferiore a 5 anni). Adottare adeguate misure di sicurezza per evitare l'accesso non autorizzato alla vasca da parte dei bambini: monitorare il punto di ingresso o installare appositi dispositivi di protezione. Per evitare il rischio di incidenti durante l'uso della vasca, assicurarsi che i bambini siano costantemente supervisionati.
- Rischio di annegamento. Ispezionare regolarmente la copertura della spa e verificare la presenza di perdite, parti logorate, danni o segnali di deterioramento. Non utilizzare mai una copertura logorata o danneggiata: in tali condizioni non potrà fornire un livello di protezione adeguato per evitare l'accesso alla spa da parte dei bambini.
- Rischio di danni. I dispositivi di aspirazione di questa vasca hanno dimensioni adatte alla specifica portata idrica della pompa. Se è necessario sostituire i dispositivi di aspirazione della pompa, assicurarsi che la portata idrica sia compatibile. Non usare la vasca se i dispositivi di aspirazione sono mancanti o danneggiati. Non sostituire un dispositivo di aspirazione con uno di portata idrica inferiore.
- Rischio di danni. Sostituire immediatamente il cavo danneggiato. Non coprire il cavo. Evitare di collegare l'unità alla presa di corrente utilizzando prolunghe.
- Rischio di scossa elettrica. Non collocare apparecchi elettrici come lampade, telefoni, apparecchi radio o TV a meno di 3,5 m dalla spa o dalla vasca.
- Rischio di scossa elettrica. Non utilizzare la spa durante piogge o temporali.

⚠ ATTENZIONE

- La spa deve essere alimentata da un trasformatore di isolamento o mediante un dispositivo a corrente residua, con corrente residua di esercizio non superiore a 30 mA.
- L'apparecchio elettrico della spa include un dispositivo portatile a corrente residua (PRCD) con corrente operativa residua nominale non superiore a 10 mA. In caso di rilevamento di perdite di corrente superiori a 10 mA, il dispositivo attiverà l'interruzione dell'alimentazione elettrica. In tal caso, scollegare il dispositivo e interrompere l'uso della spa. Contattare il centro di assistenza per informazioni e/o riparazioni.
- Le parti contenenti parti vive elettriche, ad eccezione delle parti fornite a voltaggio di sicurezza extra-basso 12 V, devono rimanere inaccessibili alle persone nella vasca.
- L'installazione elettrica deve soddisfare i requisiti delle norme nazionali in materia.
- Le parti che incorporano componenti elettriche, ad eccezione dei dispositivi di comando remoto, devono essere fissate in modo che non cadano nella spa.
- Per ridurre il rischio di lesioni, non permettere che i bambini utilizzino il prodotto a meno che non possano ricevere sorveglianza costante.
- I bambini non devono utilizzare spa o vasche senza adeguata sorveglianza.
- Per ridurre il rischio di annegamento, sorvegliare costantemente i bambini. Chiudere e bloccare la spa dopo ogni utilizzo.
- Per ridurre il Rischio di danni/patologie:
 - a) L'acqua contenuta nella spa non deve mai superare i 40°C. Una temperatura dell'acqua compresa tra 38°C (100°F) e 40°C (104°F) è da considerarsi sicura per un adulto in buone condizioni di salute. Si consiglia di utilizzare una temperatura dell'acqua più bassa se la spa viene utilizzata da bambini o per un periodo superiore a 10 minuti. Si raccomanda di consultare un medico prima dell'uso.
 - b) Poiché un'eccessiva temperatura dell'acqua può danneggiare il feto durante i primi mesi di gravidanza, le donne in gravidanza, o in possibile stato di gravidanza, devono limitare la temperatura dell'acqua della vasca e la durata di utilizzo, e consultare un medico.

⚠ ATTENZIONE

- c) L'utente deve controllare la temperatura dell'acqua prima di entrare nella vasca.
- d) L'assunzione di alcool, droghe o farmaci prima o durante l'utilizzo della spa può portare ad una perdita di conoscenza e quindi ad un possibile annegamento.
- e) Le persone affette da patologie devono consultare un medico prima di usare la vasca.
- f) Le persone che assumono farmaci e/o con una storia clinica avversa devono consultare un medico prima di usare la vasca, perché alcuni medicinali possono indurre sonnolenza, mentre altri possono alterare il battito cardiaco, la pressione e la circolazione sanguigna.
- g) Evitare di immergere la testa sott'acqua e di ingoiare l'acqua della vasca.
- Le persone con malattie infettive non possono utilizzare la spa.
 - Per evitare lesioni prestare attenzione entrando e uscendo dalla spa o dalla vasca.
 - Le donne in gravidanza o che sospettano una gravidanza devono consultare un medico prima di utilizzare una spa o una vasca.
 - Una temperatura dell'acqua superiore a 38°C può causare lesioni.
 - Non utilizzare la spa subito dopo un notevole sforzo fisico.
 - L'immersione prolungata in acqua può causare danni alla salute.
 - Per le donne in gravidanza, l'immersione prolungata può causare rischi per la salute del feto. Misurare la temperatura dell'acqua prima di immergersi. Non entrare nella spa se l'acqua è più calda di 38°C. Non rimanere nella spa per più di 10 minuti.
 - Il calore della spa unito ad alcool, droghe o medicinali può portare a stati di incoscienza.
 - Uscire immediatamente dalla vasca in caso di sonnolenza o giramenti di testa. Il calore della spa può causare stati di ipertermia o incoscienza.
 - Le cause, i sintomi e gli effetti dell'ipertermia possono essere descritti come di seguito: L'ipertermia sopraggiunge quando la temperatura interna del corpo raggiunge un livello molto al di sopra della temperatura corporea normale (37°C). I sintomi dell'ipertermia includono aumento della temperatura interna, giramenti di testa, letargia, sonnolenza e svenimento. Gli effetti dell'ipertermia includono mancata percezione del calore, incapacità di riconoscere il bisogno di uscire dalla spa o dalla vasca, incoscienza del pericolo, rischio di lesioni al feto per donne in gravidanza, inabilità fisica ad uscire dalla spa o dalla vasca, incoscienza e conseguente rischio di annegamento.
 - L'assunzione di alcool, sostanze stupefacenti o medicinali può aumentare significativamente il rischio di ipertermia fatale.
 - In caso di utilizzo di sostanze chimiche, aggiungere sempre le sostanze all'acqua, e mai l'acqua alle sostanze. L'aggiunta di acqua a sostanze chimiche può causare fumi o reazioni chimiche improvvise e pericolose.
 - Non saltare né tuffarsi nella spa o in altre situazioni di acqua bassa.
 - Da assemblare e disassemblare solo da un adulto.
 - Questo dispositivo può essere usato da bambini con più di 8 anni e persone con ridotte capacità fisiche, psichiche e sensoriali o con poca esperienza e conoscenza solo se hanno ricevuto adeguate istruzioni riguardo all'utilizzo in sicurezza e che abbiano compreso i rischi possibili. I bambini non devono giocare con questo dispositivo. La pulizia e la manutenzione non devono essere eseguiti dai bambini senza la supervisione di un adulto.
 - Nessuna parte elettrica deve trovarsi sopra al livello dell'acqua durante l'uso.
 - Tenere la spina dell'apparecchio distante almeno 4 m dalla spa e ad un'altezza di almeno 1,2 m.
 - Staccare sempre il prodotto dalla corrente, sia per effettuare la pulizia sia per altre operazioni di manutenzione sia in caso di pioggia.
 - Non sotterrare alcun cavo elettrico. Collocare i cavi dove non possano essere danneggiati da tosaerba, tagliasiepi o altre attrezzature.

▲ ATTENZIONE

- Se il filo è danneggiato, deve essere sostituito dal produttore, dal suo centro assistenza, oppure da un professionista per evitare danni irreparabili. Utilizzare solo parti di ricambio identiche alle originali.
- **Mantenere la spina asciutta, evitare di collegare la spina bagnata!**
- La spina della SPA deve essere collegata direttamente esclusivamente a prese con messa a terra in un circuito elettrico fisso.
- Per ridurre il rischio di scosse elettriche e fuoco, evitare di collegare l'unità alla presa di corrente utilizzando prolunghie, contatori, adattatori o convertitori; scegliere invece una presa adeguatamente posizionata.
- Non tentare di inserire o disinserire la spina di questo prodotto quando si è in acqua o con le mani bagnate.
- Non lasciare la spa vuota per periodi prolungati di tempo. Non esporre la Spa alla luce diretta del sole per lungo tempo.
- Quando la piscina non viene utilizzata per un lungo periodo di tempo, come ad esempio in inverno, si consiglia di smontarla e conservarla in ambiente asciutto e coperto.
- Evitare che l'acqua nella spa si congeli. Non accendere la spa se l'acqua al suo interno è congelata.
- Non utilizzare la spa se presenta danni o malfunzionamenti. Contattare il servizio di assistenza Intex per ulteriori istruzioni.
- Non utilizzare mai la spa da soli e non consentire che altri la usino da soli.
- Non immettere direttamente nella vasca della spa acqua ad una temperatura superiore a 40°C (104°F).
- Tenere gli animali domestici lontani dalla spa.
- Non aggiungere oli o sali da bagno all'acqua della spa.
- La spa deve essere installata su una zona pianeggiante, livellata e liscia in grado di supportare il carico della vasca riempita con acqua con quattro occupanti adulti: peso max. 1136 kg, 6 adulti: peso max. 1592 kg, 8 adulti: peso max. 1999 kg.
- Installare un sistema di scarico e drenaggio adeguato intorno alla spa.
- Per motivi di sicurezza, utilizzare esclusivamente gli accessori forniti dal fabbricante della vasca.
- È vietato l'uso pubblico/commerciale e/o il noleggio.
- Per le informazioni relative a installazione, pulizia e manutenzione, consultare i seguenti paragrafi del manuale.

Leggere attentamente e capire le istruzioni di seguito riportate prima di montare ed utilizzare il prodotto. Le avvertenze, le istruzioni e le linee guida di sicurezza si riferiscono ai rischi più comuni che possono verificarsi con i giochi in acqua, ma non coprono tutti i rischi e i pericoli. Si prega sempre di prestare attenzione e usare il buon senso e il buon giudizio, per fare in modo che le attività in acqua vengano svolte in sicurezza e all'insegna del divertimento. Conservare per riferimenti futuri.

Avvertenze di sicurezza per i nuotatori inesperti

- La supervisione costante di un adulto competente sui nuotatori inesperti e su chi non è in grado di nuotare farà in modo che i rischi di annegamento si riducano (si ricorda che i bambini sotto i cinque anni sono a più alto rischio di annegamento).
- Ogni qual volta si utilizza la spa è indispensabile la presenza di un adulto supervisore competente.
- Quando la piscina non è in uso o in assenza di un adulto come supervisore, si consiglia di rimuovere tutti i giocattoli dalla spa o nelle vicinanze per evitare di invogliare i bambini ad entrarci.

Dispositivi di sicurezza

- Usare una copertura di sicurezza o un altro dispositivo di protezione, o chiudere tutte le porte e le finestre (se applicabile), per evitare l'accesso non autorizzato alla vasca.

⚠ ATTENZIONE

- Barriere, coperture per piscine, allarmi piscina, o dispositivi di sicurezza analoghi sono aiuti utili, ma non sostituiscono la supervisione di un adulto competente.

Equipaggiamento di sicurezza

- Tenere a portata di mano vicino alla spa un telefono con una lista di numeri telefonici di pronto soccorso.

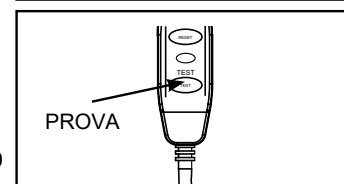
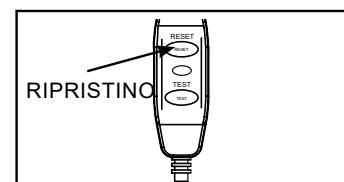
Utilizzo in sicurezza della spa

- Invogliare tutte le persone che utilizzano la spa, soprattutto i bambini, a imparare a nuotare.
- Imparare le prime nozioni di base in caso di emergenza (rianimazione cardiopolmonare - RCP) e provvedere all'aggiornamento regolarmente. Ciò potrebbe fare la differenza in caso di emergenza.
- Informare tutti gli utenti, compresi i bambini, su cosa fare in caso di emergenza.
- Non tuffarsi in acque basse. Potrebbe provocare lesioni gravi o mortali.
- Non entrare in spa se si è fatto uso di alcool o farmaci. Potrebbero compromettere la capacità di utilizzare in modo sicuro la spa.
- Quando si utilizzano coperture per spa, rimuoverle completamente dalla superficie dell'acqua, prima di entrare in spa.
- Proteggere gli utenti da malattie legate all'acqua, trattando accuratamente e regolarmente l'acqua della spa e praticando una corretta igiene. Consultare il manuale d'uso per il trattamento delle acque.
- Conservare i prodotti chimici fuori dalla portata dei bambini.
- Affiggere il cartello di sicurezza incluso sulla vasca o entro 2 metri dalla vasca, in una posizione ben visibile.

⚠ ATTENZIONE

- Questo prodotto è fornito di un RCD situato all'estremità finale del cavo di alimentazione. Testare il RCD prima di ogni utilizzo. Non utilizzare la spa se il RCD non funziona correttamente. Scollegare il cavo di alimentazione finché il malfunzionamento non è stato localizzato e risolto. Contattare un elettricista qualificato per risolvere il problema. Non aprire il RCD. All'interno del RCD non sono contenute parti riparabili. L'apertura del RCD annulla la garanzia.

1. Collegare l'unità a una presa elettrica dotata di messa a terra.
2. Premere il pulsante RESET sul RCD.
3. Accendere la spa.
4. Premere il pulsante TEST sul RCD. La spia del RCD si spegnerà e l'apparecchio si disattiverà. Se la spia RCD non si spegne e l'apparecchio non smette di funzionare, ciò significa che il RCD è difettoso. Non utilizzare la spa. Contattare un elettricista qualificato per risolvere il problema.
5. Premere il pulsante RESET sul RCD. La spia sul RCD dovrebbe accendersi. Se la spia RCD non si accende, ciò significa che il RCD è difettoso. Non utilizzare la spa. Contattare un elettricista qualificato per risolvere il problema.

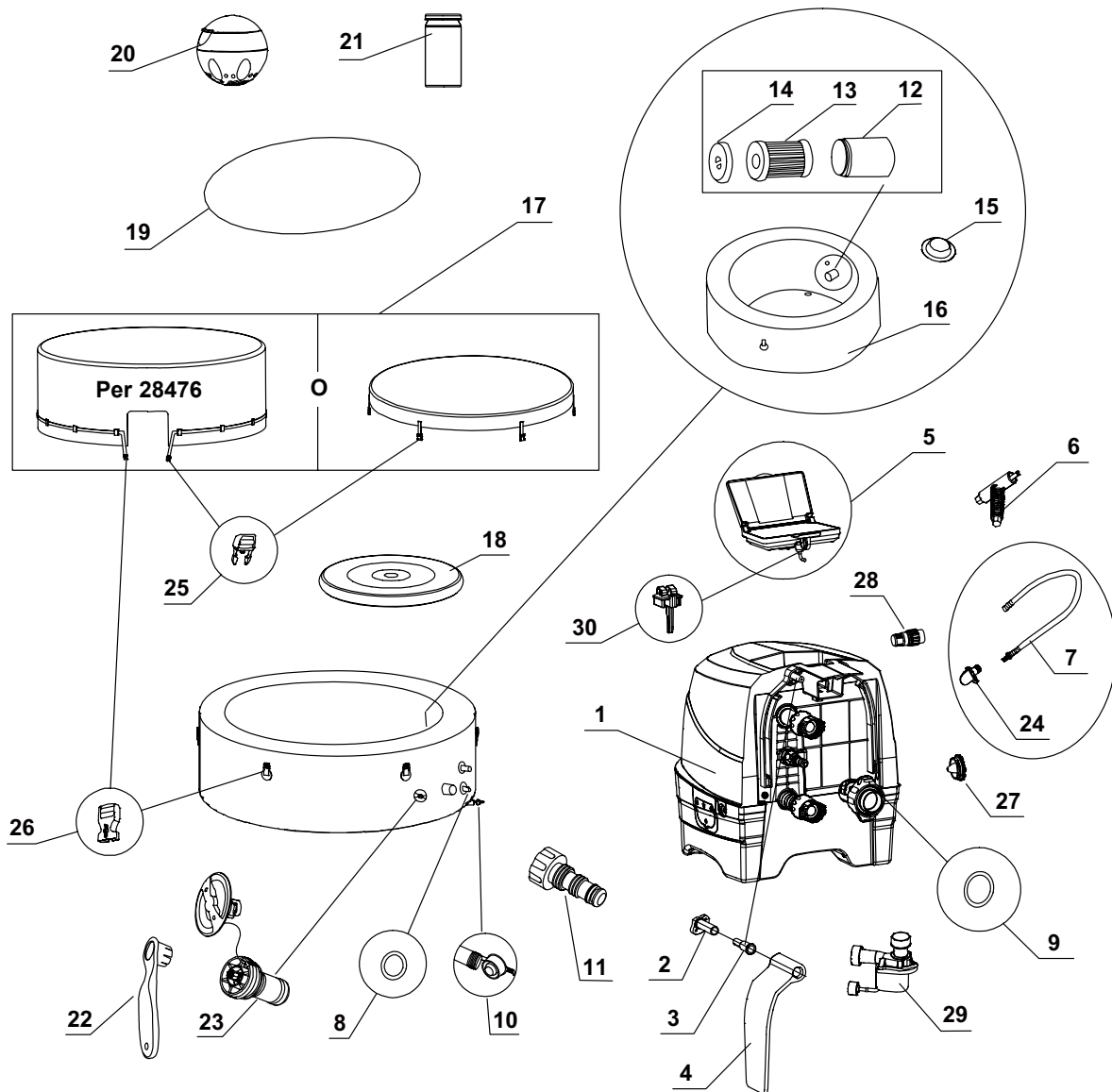


⚠ ATTENZIONE

- Per evitare pericoli dovuti all'attivazione accidentale dell'interruttore termico, non alimentare l'apparecchio tramite commutatori esterni, ad esempio un timer, e non collegarlo a circuiti che vengono periodicamente attivati e disattivati.
- Mantenere la composizione chimica dell'acqua in accordo con le istruzioni del produttore.

RIFERIMENTO AI COMPONENTI

Prima di montare il prodotto, spendere qualche minuto a prendere visione di cosa comprende e familiarizzare con i vari componenti.



NOTA: I disegni sono da considerarsi soltanto a scopo di esempio. Potrebbero non rispecchiare il reale prodotto. Non in scala.

RIFERIMENTO AI COMPONENTI (continua)

Prima di montare il prodotto, spendere qualche minuto a prendere visione di cosa comprende e familiarizzare con i vari componenti.

NO RIFERIMENTO	DESCRIZIONE	Q.TÀ	CODICE RICAMBIO					
			4 ADULTI			6 ADULTI		8 ADULTI
			28426	28430	28476	28428	28432	28412
1	BASE DI CONTROLLO	1	12836	12836B	12836	12836	12836B	12836
2	BASE CERNIERA COPERTURA LATERALE	2	12771D	12771D	12771D	12771D	12771D	12771D
3	DISPOSITIVO FISSAGGIO CERNIERA COPERTURA LATERALE	2	12772D	12772D	12772D	12772D	12772D	12772D
4	COPERTURA LATERALE DELLA BASE DI CONTROLLO	2	12770W	12770B	12770W	12770W	12770B	12770W
5	PANNELLO DI CONTROLLO	1	12840	12840B	12840	12840	12840B	12840
6	VITE A FARFALLA DEL PANNELLO DI CONTROLLO	1	11053	11053	11053	11053	11053	11053
7	TUBO DI GONFIAGGIO SPA/COPERTURA	1	11830	11830	11830	11830	11830	11830
8	ANELLO INGRESSO DI CONTROLLO SPA/ANELLO DI USCITA	2	11699	11699	11699	11699	11699	11699
9	ANELLO INGRESSO ARIA	1	11687	11687	11687	11687	11687	11687
10	SCARICO	1	11995	11995	11995	11995	11995	11995
11	ADATTATORE VALVOLA SCARICO	1	13036	13036	13036	13036	13036	13036
12	ALLOGGIAMENTO CARTUCCIA FILTRO	1	11798	11798	11798	11798	11798	11798
13	CARTUCCIA FILTRO	2	11692	11692	11692	11692	11692	11692
14	COPERCHIO ALLOGGIAMENTO CARTUCCIA FILTRO	1	11797	11797	11797	11797	11797	11797
15	INGRESSO/USCITA	3	11739	11739	11739	11739	11739	11739
16	VASCA	1	11842	12260	11842	12106	12258	12957
17	COPERTURA	1	11841	12261	12752	12107	12256	12958
18	CAMERA D'ARIA GONFIABILE (PRE-INSTALLATA SULLA COPERTURA)	1	11689	11689	12753	12108	12108	12959
19	TELO DI BASE	1	11717	11717	11717	12109	12109	12960
20	GALLEGGIANTE PER IL RILASCIO DEI PRODOTTI CHIMICI	1	12735	12735	12735	12735	12735	12735
21	STRISCE TEST	1	11855	11855	11855	11855	11855	11855
22	CHIAVE POLIGONALE	1	11742	11742	11742	11742	11742	11742
23	VALVOLA DI RILASCIO DELLA PRESSIONE	1	12589	12589B	12589	12589	12589B	12589
24	ADATTATORE PER TUBO (PRE-ASSEMBLATO CON #7)	1	12773	12773	12773	12773	12773	12773
25	LUCCHETTO MASCHIO	6	11698	11698B	-	11698	11698B	11698
		1	-	-	11698	-	-	-
26	LUCCHETTO FEMMINA	6	11799	11799B	-	11799	11799B	11799
		1	-	-	11799	-	-	-
27	TAPPO PER LO SGONFIAGGIO	1	12775W	12775B	12775W	12775W	12775B	12775W
28	ADATTATORE PER TUBO DI SGONFIAGGIO	1	12774	12774	12774	12774	12774	12774
29	FILTRO MOTORE SPA	1	12778	12778	12778	12778	12778	12778
30	DISPOSITIVO FISSAGGIO PANNELLO	1	10064	10064B	10064	10064	10064B	10064

Quando si ordinano le parti assicurarsi di indicare codice del modello e numero delle parti.

SPECIFICHE TECNICHE DEL PRODOTTO

Tensione / Frequenza / Fase	220 - 240 V / 50 Hz / 1 PH		
Massima capacità:	4 adulti	6 adulti	8 adulti
Capacità d' acqua:	210 gal (795 L)	290 gal (1098 L)	354 gal (1340 L)
Diametro interno/esterno:	57/77 in (145/196 cm)	65/85 in (165/216 cm)	73/93 in (185/236 cm)
Altezza:	28 in (71 cm)		
Soffiatore:	800 W		
Frequenza flusso della pompa filtro:	460 galloni/ora (1,741 litri/ora)		
Potenza riscaldante:	2,200 W		
Intervallo di temperatura:	20°C – 40°C (68°F – 104°F)		
Aumento temperatura:	1.5-2.5°C/ora (3°F – 4.5°F/ora)	1-2°C/ora (2°F – 3.5°F/ora)	0.8-1.5°C/ora (1.5°F – 3°F/ora)
Numero di Bubble Jet:	120 (28426 / 28476) 140 (28430)	140 (28428) 170 (28432)	170
Pressione funzionale raccomandata per la vasca:	0.083 bar (1.2 psi)		

Vasca gonfiabile, portatile, fuori terra, collegata con cavo, dotata di pompa, riscaldatore, ventola, trattamento per acqua dura integrato e pannello di controllo.

NOTA: la spa è dotata di un sistema completo di messa a terra che è in contatto anche con l'acqua della spa. È possibile che l'elettricità statica accumulata da un individuo si liberi al contatto con l'acqua. Ciononostante, in caso di scosse elettriche percepite, contattare un elettricista qualificato prima dell'uso della spa. Scollegare la spa dalla rete elettrica finché la causa non viene individuata e il problema non viene risolto.

⚠ ATTENZIONE

Rischio di incendio: questo apparecchio necessita di una potenza minima di 13 Amp. La maggior parte dei circuiti domestici vanno da 13 a 16 Amp. In caso di cortocircuiti, controllare che altri apparecchi che impiegano carichi significativi di energia siano collegati allo stesso circuito della spa. Evitare di collegare l'unità alla presa di corrente utilizzando prolunghie. Svolgere il cavo prima dell'uso. Non posizionare la spina su materiali combustibili.

ISTRUZIONI DI MONTAGGIO

Preparazione sito di installazione e requisiti

- La spa può essere installata in interni o in esterni. Solo per uso domestico.
- Assicurarsi che l'area sia resistente all'acqua, a livello, piana e priva di oggetti affilati sotto o intorno alla vasca.
- Collegare la vasca a una presa di corrente dotata di messa a terra e con grado di protezione pari o superiore a IPX4; l'interruttore differenziale deve rimanere facilmente accessibile per essere sottoposto a collaudi periodici.
- Assicurarsi che vi sia adeguato spazio intorno alla spa per garantire l'accesso rapido in caso di manutenzione o emergenze.
- L'area circostante deve essere organizzata in modo da facilitare lo scarico. Rispettare le normative locali e nazionali relative allo smaltimento dell'acqua della vasca.
- Per ridurre l'inquinamento acustico, non installare la vasca nelle immediate vicinanze di pareti verticali.
- L'area deve essere situata in prossimità di una fonte di acqua dolce, conformemente alle normative locali, i cui parametri devono essere regolati come indicato alla sezione "Proprietà chimiche dell'acqua" di questo manuale prima di usare la vasca per la prima volta.
- Rispettare le normative locali relative all'installazione di vasche da interno e/o esterno.

Ulteriori requisiti per l'installazione in interni

- Assicurarsi che la superficie possa reggere il peso della spa riempita d'acqua e con il numero massimo di occupanti. Consultare un tecnico o un ingegnere per verificare tale requisito.
- Assicurarsi che il terreno sia resistente all'acqua e non scivoloso. Non installare la spa su tappeti o altri materiali che potrebbero essere danneggiati da umidità e condensa.
- Non installare la spa in interni su piani superiori rispetto al piano terra per evitare danni legati al rischio di umidità e perdite d'acqua.

ISTRUZIONI DI MONTAGGIO (continua)

- L'umidità è una conseguenza naturale dell'installazione della spa in interni. L'area deve essere adeguatamente ventilata per consentire la corretta evaporazione dell'umidità. Installare un sistema di ventilazione per evitare la formazione di umidità eccessiva.

Ulteriori requisiti per l'installazione in esterni

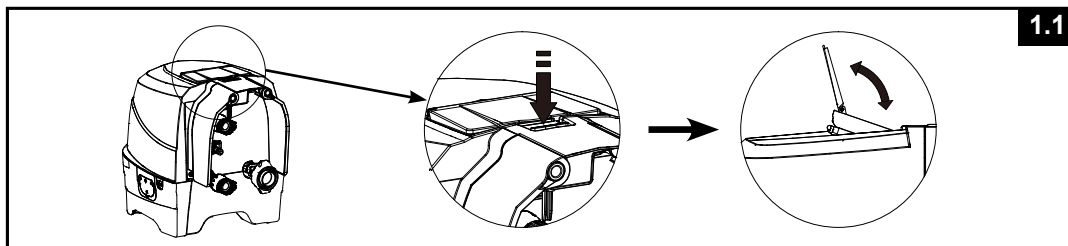
- I proprietari di spa sono tenuti a garantire la conformità dei propri impianti domestici in relazione a sicurezza per i bambini, barriere di sicurezza, illuminazione e altri requisiti di sicurezza. Contattare le autorità locali per dettagli in merito.
- Assicurarsi che il terreno sia pianeggiante, liscio e in grado di reggere il peso della spa.
- Non installare la spa su erba o terriccio, poiché ciò può aumentare il volume di detriti nella vasca danneggiandone le superfici.
- **Non esporre la spa a luce solare diretta per periodi prolungati di tempo. Installare adeguate protezioni come tende da sole o gazebo.**
- E' possibile installare e lasciare la spa in esterni a una temperatura non inferiore a 4°C, purché la temperatura dell'acqua nella spa sia superiore a 4°C, e che l'acqua nel sistema di circolazione, di pompaggio e di scarico non sia congelata. Frapporre un tappetino termico tra il pavimento della spa e il terreno per evitare perdite di calore dal fondo della spa e per garantire una migliore conservazione del calore. Non usare la spa se la temperatura ambientale o dell'acqua è uguale o inferiore a 4°C (39°F).

Per montare la spa sono necessarie almeno 2 persone.

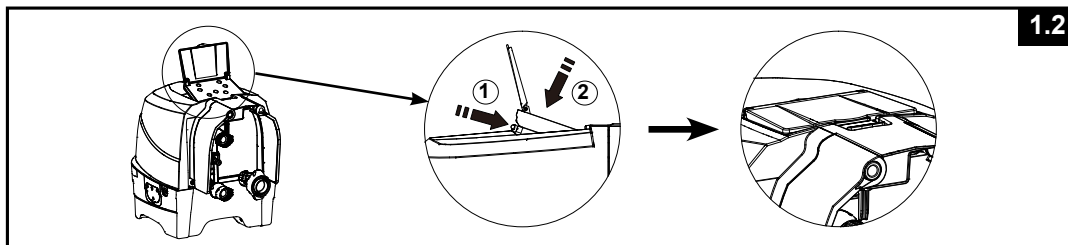
1. Spostare i materiali nell'area designata per l'installazione. Non trascinare la vasca, poiché ciò può causare danni o perdite. Aprire con cura la confezione, senza rovinarla poiché può essere utile per riporre la spa in previsione di lunghi periodi di inutilizzo.
2. Disporre tutte le parti sul terreno e assicurarsi che tutti i componenti siano presenti. In caso di parti mancanti o danneggiate contattare uno dei centri assistenza Intex riportati nel foglio indicativo "Centri Assistenza Autorizzati".

Regolazione del pannello di controllo della spa

1. Premere la leva verso il basso per inclinare il pannello di controllo verso l'alto e aprire il coperchio del pannello (vedi disegno 1.1).



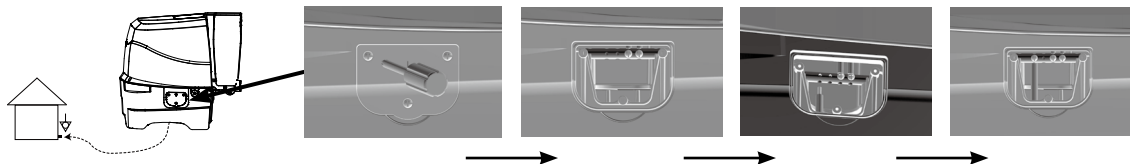
2. Per richiudere il pannello di controllo, premere il pulsante sul retro e abbassare simultaneamente il pannello (vedi disegno 1.2).



ISTRUZIONI DI MONTAGGIO (continua)

Sistema equipotenziale opzionale

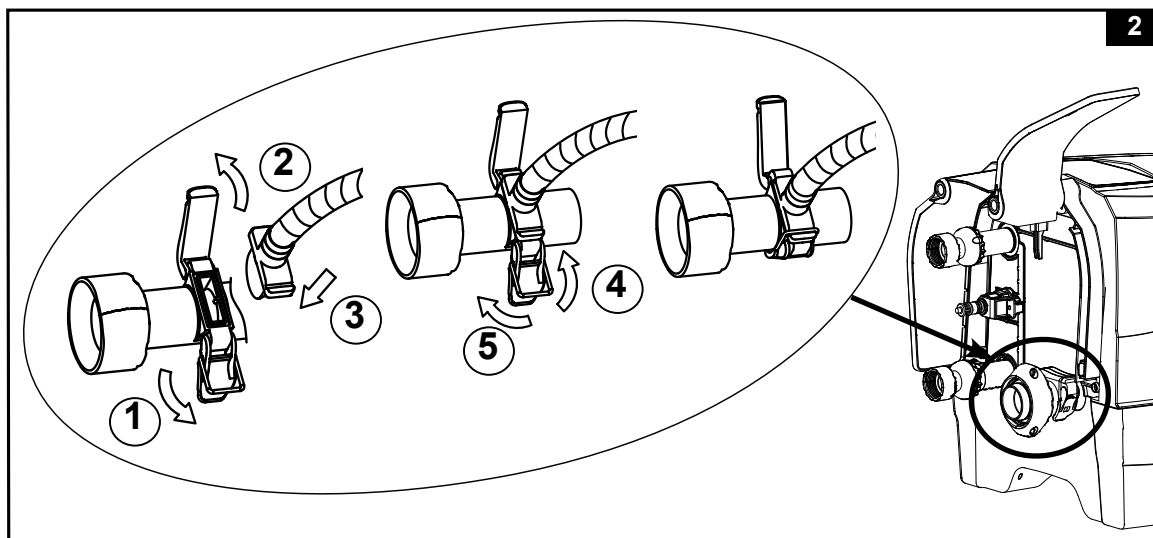
A seconda della norma nazionale locale e della regolamentazione, è possibile chiedere ad un elettricista qualificato di collegare il terminale equipotenziale della Spa con un conduttore (filo) avente una sezione trasversale nominale di 2,5 mm² a 6mm² al terminale equipotenziale. (Cavo non incluso)



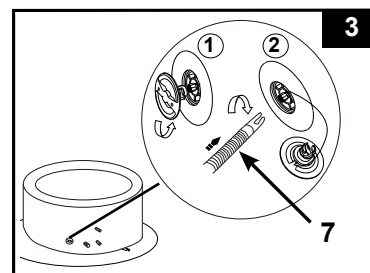
Gonfiaggio

Gonfiare la spa




1. Aprire il tappeto (19) e posizionarlo sull'area designata, opportunamente svuotata e pulita. Poi, aprire il rivestimento interno della spa e posizionarlo sul tappeto a terra, orientando la valvola di scarico verso un'area adatta per lo scarico dell'acqua.
NOTA: Stendere il telo a terra con le bolle verso il basso sull'area precedentemente pulita su cui si intende montare la SPA.
2. Sollevare la copertura laterale della base di controllo (4) per accedere all'uscita di gonfiaggio del compressore. Tirare la linguetta per aprire la copertura, inserire l'adattatore per tubo (24) con tubo e chiudere nuovamente la linguetta per bloccare l'adattatore per tubo in posizione (vedi disegno 2).

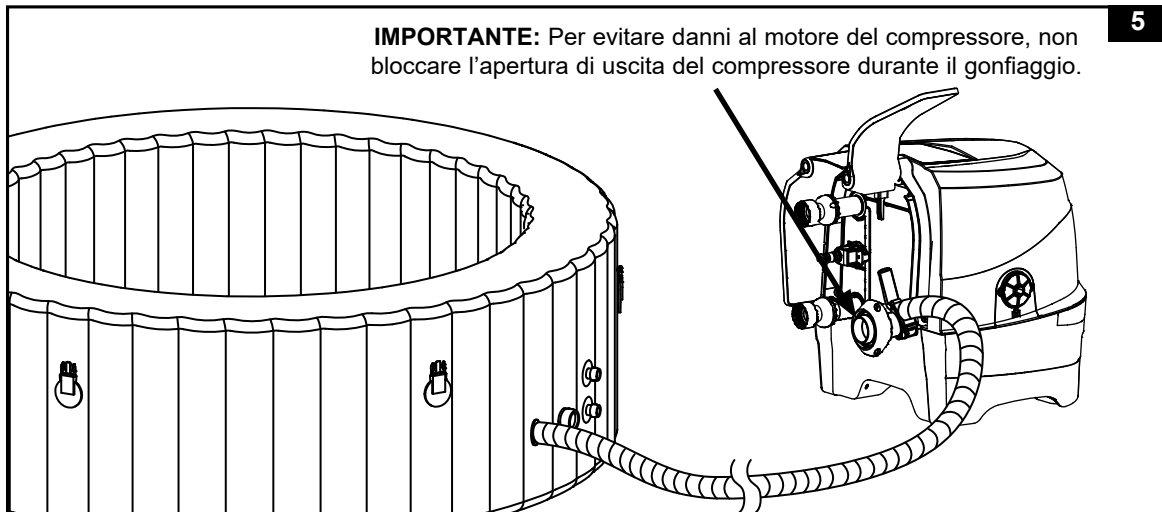
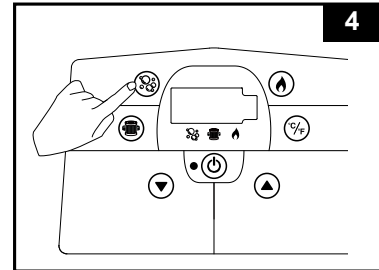


3. Svitare il coperchio della valvola dell'aria sulla vasca della spa per accedere allo stelo, nella posizione verticale di gonfiaggio. Inserire l'altra estremità del tubo (7) nella valvola e ruotarlo verso destra per bloccarlo in posizione (vedi disegno 3).

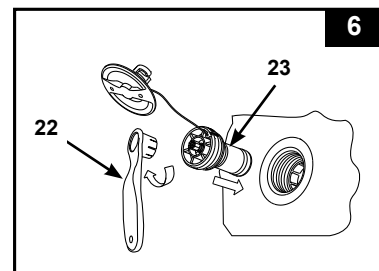


ISTRUZIONI DI MONTAGGIO (continua)


4. Premere il pulsante  per attivare i pulsanti del pannello di controllo. Premere il pulsante  per gonfiare la parete della vasca idromassaggio finché non è solida al tatto, ma non rigida (dagli 8 ai 10 minuti) **(vedi disegno 4 & 5)**.
IMPORTANTE: Non gonfiare eccessivamente e non utilizzare compressori ad alta pressione.
5. Premere di nuovo il pulsante  per spegnere.

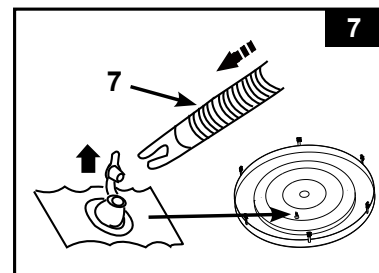


6. Rimettere il coperchio della valvola dell'aria.
Il coperchio è progettato per essere avvitato e svitato. Non esercitare mai forza eccessiva su di esso poiché ciò potrebbe causare problemi al sistema di gonfiaggio. Per la manutenzione della valvola consultare la sezione "Fissaggio della valvola dell'aria".
NOTA: Se vi è la necessità di sostituire la nuova valvola di rilascio di pressione dell'aria (23) a causa di usura, utilizzare la chiave in dotazione (22) svitare il nucleo dalla base della valvola. Inserire il nucleo di ricambio e serrarlo con la chiave. Assicurarsi che il coperchio sia ben chiuso **(vedi disegno 6)**.



Gonfiaggio della camera d'aria della copertura

1. Aprire la valvola di gonfiaggio e inserire il tubo (7) nella valvola; premere  per gonfiare fino a che la camera è gonfia senza essere troppo dura. **(vedi disegno 7)**.
2. Scollegare il tubo di gonfiaggio (7) dalla valvola dell'aria.
3. Rimettere il tappo sulla base di controllo, chiudere togliendo la valvola di gonfiaggio.



NOTA: In caso sia necessario aggiungere dell'aria alla spa o alla camera d'aria al termine delle operazioni di gonfiaggio, fare riferimento alle sezioni precedenti. La camera d'aria della copertura è pre-installata all'interno del coperchio della SPA. Se è necessario disinstallarla, posizionare la camera d'aria all'interno del bordo del coperchio della spa prima di iniziare l'operazione di gonfiaggio.

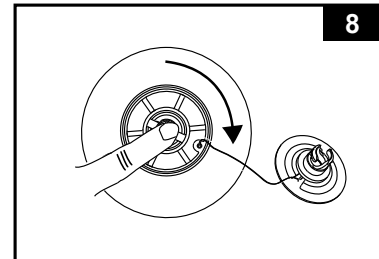
ISTRUZIONI DI MONTAGGIO (continua)

Sgonfiaggio

Per le pareti della spa:

1. Svitare il coperchio per accedere alla valvola, premere verso l'interno e ruotare di 90° verso destra per fissarla in posizione abbassata (**vedi disegno 8**).
2. erminato completamente lo sgonfiaggio, premere la valvola verso l'interno e ruotare di 90° verso sinistra per riportarla in posizione di gonfiaggio.
3. Rimettere il coperchio della valvola dell'aria.

NOTA: per sgonfiare la vasca prima di riparla, consultare la sezione "CONSERVAZIONE".



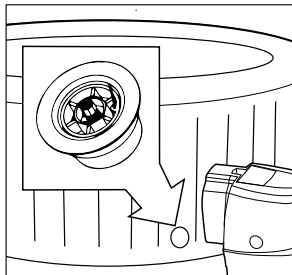
Per la camera d'aria:

1. Estrarre il coperchio della valvola e premere la camera fino a che non è sgonfia.
2. Chiudere e fare rientrare la valvola in posizione.

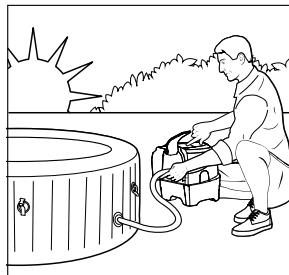


IMPORTANTE

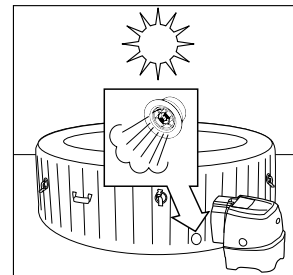
La vasca idromassaggio è dotata della nuova "valvola di rilascio della pressione" che libera automaticamente l'aria in eccesso quando la pressione interna della vasca è compresa tra 1,5 e 2,5 psi (0,103 – 0,172 bar), conservando le funzioni di gonfiaggio e sgonfiaggio originali.



Valvola di rilascio della pressione dell'aria.



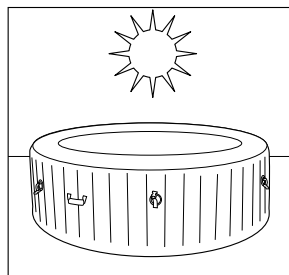
Gonfiaggio della spa al mattino.



La pressione aumenta con il caldo del mezzogiorno. La nuova valvola è in grado di rilasciare in automatico l'aria in eccesso.

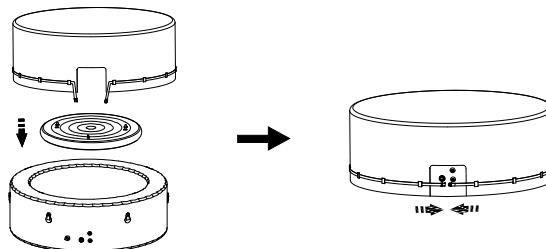


Con le temperature notturne più fresche la Spa potrebbe sembrare meno gonfiata.



La pressione aumenta con il caldo di mezzogiorno e la valvola consente di ripristinare la corretta pressione dell'aria.

Per #28476:

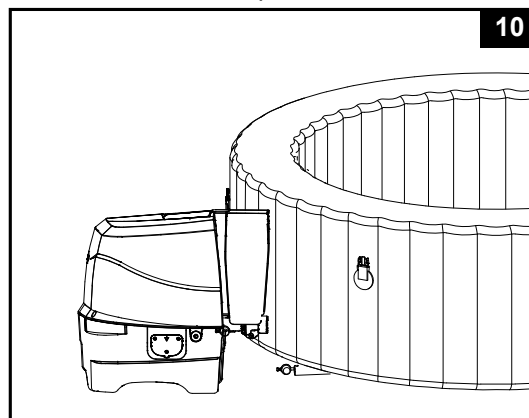
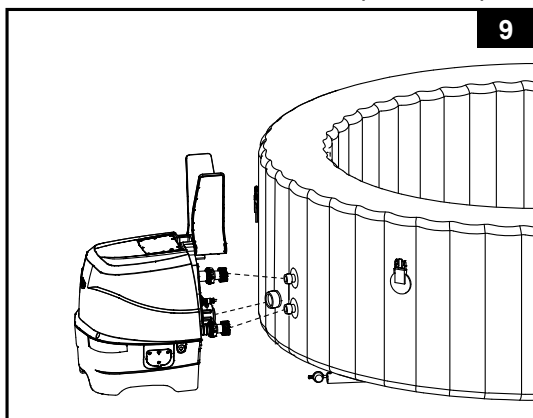


NOTA: Se la camera d'aria della copertura della spa non si adatta alla vasca perché è eccessivamente gonfia, rilasciare dell'aria dalla camera.

ISTRUZIONI DI MONTAGGIO (continua)

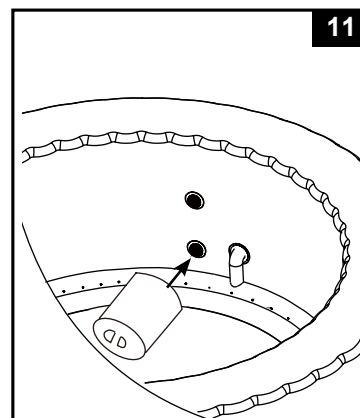
Montaggio unità di controllo



1. Collegare l'unità di controllo alla spa (**vedi disegno 9**). Stringere i connettori. Non utilizzare utensili per stringere.
NOTA: Non fissare accessori esterni non inclusi nel kit alla vasca della spa o alla base di controllo, pena l'annullamento della garanzia.
2. Riposizionare le coperture laterali della base di controllo (**4**) (**vedi disegno 10**).
ATTENZIONE: Non sedersi sopra a o coprire l'unità di controllo della spa.



3. Agganciare l'alloggiamento della cartuccia filtro alla griglia d'uscita della spa (posizione bassa) (**vedi disegno 11**). Gonfiare la SPA prima di installare la pompa filtro.
4. Prima di riempire la spa con acqua assicurarsi che le valvole di scarico inferiori siano saldamente fissate, all'interno e all'esterno.
5. Riempire la vasca idromassaggio spa con acqua fresca fino a raggiungere il livello compreso tra MIN e MAX segnato sulla parete interna della vasca. Non riempire eccessivamente la vasca. Non spostare mai la SPA riempita con acqua e/o con la base di controllo attaccata alla SPA, altrimenti la base di controllo o la SPA potrebbero danneggiarsi.

ATTENZIONE: Non versare acqua a temperatura superiore a 40°C. Si raccomanda di riempire la spa con acqua tiepida per velocizzare il riscaldamento e quindi risparmiare energia.



6. Collocare il coperchio della spa e la camera d'aria della spa (pre-installata nella spa) sopra la vasca, assicurandosi che le chiusure del coperchio siano ben fissate stringendo le cinghie.
IMPORTANTE: Ispezionare regolarmente la spa e verificare la presenza di perdite, parti logorate, danni o segnali di deterioramento. Non utilizzare il coperchio se presenta danni.
7. Assicurarsi che la base della spa sia collegata a una presa di corrente posizionata correttamente e di dimensioni appropriate, quindi premere  il pulsante per attivare il pannello di controllo. Premere il pulsante  sul pannello di controllo per attivare il sistema di riscaldamento; consultare la sezione "Pannello di controllo della spa".

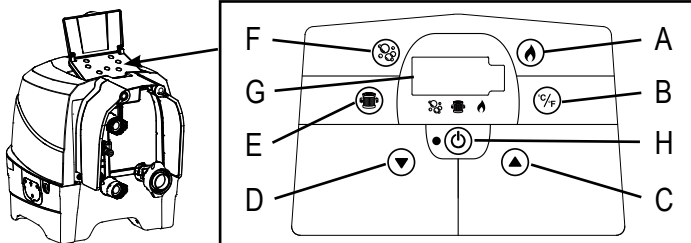
Copertura

Si noti che i laccetti di fissaggio della copertura sono laccetti di chiusura. Nel sacchetto di plastica con il manuale e altri accessori ci sono in dotazione due tasti. Ogni laccetto è contrassegnato con i simboli "bloccato" e "sbloccato" per un facile utilizzo: mettere la chiave nella fessura sul laccetto e girarla nella posizione appropriata rispettivamente per bloccare o sbloccare il laccetto. Per garantire la sicurezza dall'accesso non autorizzato, mettere sempre la copertura quando la SPA non è in uso e bloccare tutte le fibbie. Tenere sempre le chiavi fuori dalla portata dei bambini. In caso di smarrimento delle chiavi, è possibile utilizzare qualsiasi cacciavite piatto di dimensioni simili per bloccare o sbloccare i laccetti.

Quando la vasca è in uso, la copertura deve essere riposta in un'area asciutta e pulita, per evitare l'accumulo di sporcizia e batteri. Non posizionare le coperture su tavoli o pavimenti in legno per evitare di scolorire il legno. Per evitare che la copertura, in particolare il lato rivolto verso l'acqua, entri a contatto con il pavimento o altre superfici sporche, si raccomanda di usare un apposito supporto.

ISTRUZIONI PER IL FUNZIONAMENTO

PANNELLO UNITA' DI CONTROLLO SPA



- A: Pulsante di riscaldamento
 B: Visualizzazione in gradi Celsius/Fahrenheit
 C: Pulsante di aumento della temperatura
 D: Pulsante di diminuzione della temperatura
 E: Pulsante di filtraggio dell'acqua
 F: Pulsante bolle
 G: Display LED
 H: Pulsante di Acceso/Spento



Pulsante di Acceso/Spento: Una volta che il dispositivo è collegato, usare questo bottone per attivare i pulsanti del pannello dell'unità di controllo. La spia accanto al pulsante è verde quando viene attivata. Premere il pulsante per spegnere tutte le funzioni attive.

NOTA: Il pulsante ON/OFF potrebbe apparire come nero al centro del pannello di controllo.



Pulsante di riscaldamento: Utilizzare questo pulsante per attivare il sistema di riscaldamento. La pompa riscalderebbe l'acqua della vasca fino a quando verrà raggiunta la temperatura dell'acqua impostata. Quando l'acqua della vasca idromassaggio si abbassa di 1-2°C (1,8-3,6°F) rispetto alla temperatura impostata, il sistema di riscaldamento si riattiverà. La luce posizionata sopra il pulsante diventa rossa quando il sistema è attivato. Quando l'icona della fiamma è verde, l'acqua ha raggiunto la temperatura impostata. Il sistema di riscaldamento si disattiva e il sistema di filtraggio rimarrà in funzione ininterrottamente.

NOTA: Per disattivare il sistema di filtraggio quando il sistema di riscaldamento è disattivo, premere il pulsante con la fiamma per primo, quindi il pulsante del filtro. Premendo il pulsante con la fiamma mentre il sistema di riscaldamento è disattivo, solo il sistema di riscaldamento si spegnerà, e il sistema di filtraggio rimarrà in funzione per altre 24 ore prima di spegnersi automaticamente.

ATTENZIONE: Le seguenti condizioni possono rallentare il riscaldamento dell'acqua.

- La temperatura ambientale è inferiore a 10°C.
- La velocità del vento è superiore a 3,5 - 5,4 m/s.
- La funzione bolle è attivata quando il riscaldamento è acceso.
- La spa non è correttamente coperta quando l'acqua è in riscaldamento.



Visualizzazione in gradi Celsius/Fahrenheit:

La temperatura può essere visualizzata sia in gradi Fahrenheit che Celsius. Per impostazione predefinita, il sistema è impostato sui gradi Celsius.

NOTA: Per impostazione predefinita, alla prima accensione la temperatura impostata è di 20°C (68°F). L'intervallo di regolazione della temperatura è compreso tra 20°C (68°F) e 40°C (104°F).



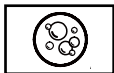
Pulsanti di regolazione della temperatura: Premendo i pulsanti di aumento o diminuzione della temperatura il LED lampeggia. A questo punto è possibile immettere le impostazioni relative alla temperatura desiderata. Tenendo premuti questi pulsanti i valori aumentano o diminuiscono rapidamente. Le impostazioni relative alla nuova temperatura desiderata rimangono visualizzate sul display LED per 5 secondi, confermando così il valore immesso.



Pulsante di filtraggio dell'acqua:

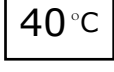
Questo pulsante attiva l'accensione e lo spegnimento della pompa di filtraggio. Se il sistema di riscaldamento è attivato, il sistema di filtraggio entra automaticamente in funzione (questo è normale).

La spia sopra il pulsante Filtro dell'Acqua si illumina di verde quando viene attivata questa funzione.



Pulsante bolle: Utilizzare questo pulsante per attivare il sistema massaggi, dotato di funzione spegnimento automatico dopo 30 minuti. La spia sopra il Pulsante Bolle si illumina di verde quando viene attivata questa funzione.

ATTENZIONE: Non utilizzare il sistema bolle quando la copertura della spa è agganciata, poiché potrebbe verificarsi un accumulo d'aria all'interno della spa causando danni irreparabili alla struttura e lesioni alle persone presenti.




Display LED: In seguito all'accensione, il display LED visualizza automaticamente la temperatura attuale dell'acqua.

NOTA: il sistema incorporato di trattamento anticalcare dell'acqua funziona automaticamente in combinazione con il sistema di filtrazione.

⚠ ATTENZIONE

Non usare MAI la spa se la temperatura indicata è superiore a 40°C (104°F).

TABELLA DEI CODICI LED

LETTURA LED	CAUSA	RIMEDIO
E90	L'acqua non scorre	<ul style="list-style-type: none"> • Spegner e scollegare l'unità di controllo. • Assicurarsi che la griglia della copertura sia pulita e libera da ostruzioni. • Pulire o sostituire la cartuccia. Consultare la sezione Manutenzione e conservazione. • Assicurarsi che i collegamenti in uscita/in entrata della vasca e della pompa filtro non siano ostruiti. • Mantenere l'acqua della vasca idromassaggio correttamente depurata affinché la cartuccia del filtro rimanga pulita e priva di ostruzioni. • Contattare il Centro Assistenza Intex.
E94	La temperatura dell'acqua è troppo bassa	<ul style="list-style-type: none"> • Non utilizzare la spa o la pompa se la temperatura ambiente è inferiore a 4°C (39°F). • Spegner e scollegare l'unità di controllo. Aggiungere acqua calda per aumentare la temperatura dell'acqua della vasca idromassaggio fino ad almeno 5°C (41°F), quindi premere il pulsante  per riscaldare l'acqua fino alla temperatura desiderata. • Contattare il Centro Assistenza Intex.
E95	La temperatura dell'acqua è troppo alto	<ul style="list-style-type: none"> • Spegner e scollegare l'unità di controllo. Quando l'acqua si è raffreddata, collegare il RCD e ricominciare tutto da capo. • Spegner il sistema di riscaldamento, quindi premere i pulsanti del filtro e dell'idromassaggio per abbassare la temperatura dell'acqua. • Contattare il Centro Assistenza Intex.
E96	Errore di sistema	<ul style="list-style-type: none"> • Spegner e scollegare l'unità di controllo. Collegare l'interruttore differenziale e ricominciare da capo. • Contattare il Centro Assistenza Intex.
E97	Protezione antincendio	<ul style="list-style-type: none"> • Contattare il Centro Assistenza Intex.
E99	Guasto al sensore della temperatura dell'acqua	<ul style="list-style-type: none"> • Contattare il Centro Assistenza Intex.
END	Dopo 72 ore di funzionamento continuo del riscaldamento, la pompa passa automaticamente alla funzione di raffreddamento. Le funzioni di riscaldamento e filtrazione dell'acqua rapida sono disabilitati.	<ul style="list-style-type: none"> • Premere un pulsante qualsiasi per riattivare il soffiatore (bolle).

SUGGERIMENTI PER MINIMIZZARE LA PERDITA DI CALORE E IL CONSUMO DI ENERGIA

- 1) Posizionare sempre la copertura della vasca tra due utilizzi (ma non durante l'uso) per minimizzare la perdita di calore durante il riscaldamento della vasca. Assicurarsi che la copertura sia posizionata saldamente, come indicato dalle istruzioni del fabbricante, per massimizzare l'isolamento. Quando la copertura non è in uso, si raccomanda di conservarla lontano dal pavimento per mantenerla pulita (in particolare il lato rivolto verso l'acqua della vasca). Conservare la copertura in un luogo adatto, per evitare che subisca o causi danni.
- 2) Controllare la temperatura dell'acqua impostata; si raccomanda di ridurla durante i periodi di inutilizzo della vasca.
- 3) A seconda delle condizioni esterne, si raccomanda di spegnere completamente il riscaldatore in previsione di un lungo periodo di inutilizzo (se la vasca è dotata di tale funzione, ma mantiene i livelli di pH e disinfezione).
- 4) Tenere presente che l'intervallo di temperature confortevoli durante l'uso può essere inferiore alla temperatura massima di sicurezza.
- 5) Usare il telo isolante incluso sotto la vasca per minimizzare la perdita di calore attraverso la parte inferiore della vasca.
- 6) Mantenere i filtri puliti per preservare le appropriate condizioni di funzionamento della pompa ed evitare di dover sostituire l'acqua o riscaldarla nuovamente.

MANUTENZIONE E CHEMICALS

⚠ ATTENZIONE

Scollegare sempre il prodotto dalla presa elettrica prima di qualsiasi operazione di rimozione, pulizia, manutenzione o regolazione meccanica di parti del prodotto.

Manutenzione dell'acqua

Controllare regolarmente la spa e mantenere l'acqua pulita tramite interventi di manutenzione programmata (quotidiana, se necessario). L'aggiunta di disinfettanti o altri prodotti detergenti aiuterà a debellare virus e batteri. Il mantenimento di un corretto equilibrio dell'acqua tramite l'uso di disinfettanti è la principale garanzia di funzionamento duraturo della spa, oltre ad assicurare sempre un'acqua pulita, sana e sicura. Testare correttamente e con attenzione l'acqua presente nella spa. Consultare un tecnico esperto per informazioni sulle procedure e gli strumenti di testing.

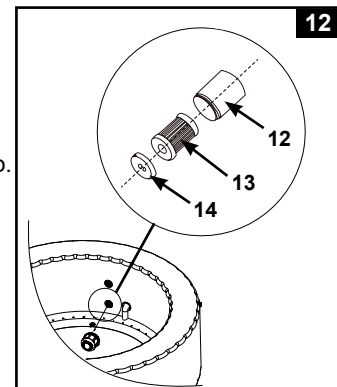
ATTENZIONE: SEGUIRE SEMPRE LE DISPOSIZIONI DI CHI VI VENDE I PRODOTTI CHIMICI E PRENDERE TUTTE LE PRECAUZIONI A TUTELA DELLA SALUTE.

Non aggiungere prodotti chimici mentre la spa è occupata: CIO' potrebbe provocare irritazioni cutanee o agli occhi. Le soluzioni composte da cloro concentrato possono danneggiare la spa. In nessun caso Intex Recreation Corp., Intex Development Co. Ltd, compagnie sussidiarie, agenti autorizzati, centri di assistenza, rivenditori e dipendenti possono essere ritenuti responsabili per i costi associati con la perdita di acqua o altri danni derivati da un uso scorretto della spa.

Manutenzione della spa e delle cartucce filtro

Per proteggere gli occupanti della spa da patologie legate all'acqua, mantenere sempre l'acqua e tutte le parti della spa pulite e disinfettate. Mantenere sempre un livello ottimale di igiene. Per assicurare sempre la massima qualità dell'acqua presente nella spa, seguire queste istruzioni:

1. Ispezionare e pulire la cartuccia filtro quotidianamente, e cambiare il filtro ogni 3 giorni.
 - a. Svitare l'alloggiamento della cartuccia dalla parete della spa e rimuovere la cartuccia (vedi disegno 12).
 - b. Sciacquare la cartuccia con un tubo da giardino. Se la cartuccia rimane sporca e sbiadita, sostituirla. Tenere a portata di mano cartucce di ricambio.
 - c. Reinstallare la cartuccia pulita nell'alloggiamento e riavvitare quest'ultimo nella sua sede sulla parete della spa.
2. Cambiare l'acqua della SPA ogni due settimane. Consultare le sezioni "Scarico vasca spa" e "Pulizia vasca spa" per dettagli.
3. Utilizzare additivi detergenti per assicurare la pulizia dell'acqua. I danni risultanti dall'utilizzo errato di additivi chimici non sono coperti dalla garanzia.
4. Accertarsi che tutti gli occupanti facciano una doccia prima di entrare nella spa.



Equilibrio chimico acqua

Mantenere il pH dell'acqua tra 6,8 e 7,6, il livello di alcalinità totale tra 60 e 120 ppm e il livello di cloro libero tra 2 e 4 ppm. Utilizzare le strisce incluse per testare la composizione chimica dell'acqua prima di ogni utilizzo della spa e testare l'acqua regolarmente almeno una volta a settimana.


Le strisce test consentono di testare il livello di cloro, il PH, l'alcalinità totale e la durezza del calcio nello stesso momento:

1. Immergere tutta la striscia nell'acqua e toglierla immediatamente.
2. Tenere il livello della striscia per 15 secondi (non scuotere la striscia per togliere l'acqua in eccesso).
3. Confrontare il cloro libero, il pH e la totale alcalinità in base alla scheda a colori sull'etichetta della confezione. Se necessario, regolare l'acqua della piscina.

NOTA: Controllare la data di scadenza del kit per il test, poiché i risultati potrebbero variare se il kit è scaduto. Un pH troppo basso può danneggiare la vasca e la pompa della spa. I danni risultati da una composizione chimica scorretta non sono coperti dalla garanzia. Utilizzare il dispenser fornito per mantenere controllato il livello di cloro [dimensioni tavoletta: meno di 2,5 cm] nell'acqua. Aggiungere da 1 pastiglie nel dispenser. Seguire sempre le istruzioni del produttore. Rimuovere il dispenser galleggiante quando la spa è in uso.

Non permettere mai che il cloro entri in contatto con la vasca prima che sia completamente disciolto.

Risciacquare i tubi con acqua trattata attivando la funzione idromassaggio per un'ora al giorno.

IMPORTANTE: Premere il pulsante  sul pannello di controllo per attivare il soffiatore di bolle e aiutare così a dissolvere le sostanze chimiche nell'acqua.

Non mischiare mai sostanze chimiche tra di loro. Aggiungere le sostanze chimiche separatamente. Sciogliere una sostanza completamente prima di aggiungerne un'altra.

ANALISI CHIMICA E BILANCIAMENTO DELL'ACQUA DELLA SPA

Parametri	Valori ^a
Limpidezza dell'acqua	Vista nitida del fondo
Alcalinità totale (TA) in mg/l	60 to 120
Durezza del calcio (CaCO ₃) in mg/l	150 to 250
Colore dell'acqua	l'acqua non deve apparire colorata ^{b, c}
Torbidezza in FNU/NTU	max. 1.5 (preferibilmente inferiore a 0,5)
Concentrazione di nitrato superiore a quella dell'acqua di riempimento in mg/l	differenza non superiore a 20 rispetto alla concentrazione dell'acqua
Carbonio organico totale (TOC) in mg/l ^d	max. 4.0
Potenziale di ossidoriduzione contro Ag/AgCl 3,5 m KCl in mV	min. 650
valore pH ^{e, f}	6.8 to 7.6
Cloro attivo libero (senza acido cianurico) in mg/l	0.3 to 1.5 ^g
Bromo in mg/l	2.0 to 4.0 ^h

Per l'uso di disinfettanti alternativi potrebbe essere necessario considerare altri parametri.

- a Consultare le linee guida e le normative nazionali per eventuali deviazioni.
 b Le fonti di acqua naturale possono causare la colorazione dell'acqua.
 c Colorazione intenzionale esclusa.
 d Usando composti organici, questo valore può essere più elevato.
 e Soggetto a flocculanti, se utilizzati.
 f Quando il pH è superiore a 7,5 il cloro libero attivo è inferiore al 50 %.
 g La concentrazione di cloro libero generalmente raccomandata in ambienti acquatici è compresa tra 0,3 e 1,5 mg/l. Tuttavia, per assicurare la qualità dell'acqua nella vasca quando l'acqua è riscaldata e il rapporto tra volume di acqua e numero di utenti è basso, è accettabile superare temporaneamente tale concentrazione con dosaggio manuale, purché la salute dell'utente non venga compromessa. Pertanto, un intervallo compreso tra 2,0 e 4,0 mg/l è accettabile e raccomandato dalla U.S. Environmental Protection Agency e dal Center for Disease Control statunitensi. Non usare acido cianurico.
 h È accettabile il superamento temporaneo dovuto al dosaggio manuale e al basso rapporto tra volume di acqua e numero di utenti, purché la salute dell'utente non venga compromessa.

Prestare attenzione al trattamento chimico dell'acqua, in particolare ai limiti di disinfezione e al controllo dei livelli di pH. L'uso di ozono o UV, se applicabile, deve essere sempre accompagnato dalla disinfezione con un biocida ossidante (ad es. cloro, bromo o altri prodotti biocidi, compatibilmente con le raccomandazioni del fabbricante).

L'uso improprio degli agenti chimici può causare deterioramenti, danni e altre imperfezioni alla superficie e ad altri componenti della vasca (tipicamente, scolorimento dei materiali e corrosione delle parti metalliche).

Cloro libero: è il cloro residuo presente nell'acqua della SPA.

Il risultato è troppo basso – Inadeguato livello di disinfezione.

Il risultato è troppo alto – Può causare cattivi odori, irritazione alla pelle e agli occhi, corrodere metalli e altri materiali.

PH: è un valore che indica quanto acida o basica è l'acqua della Spa.

Il risultato è troppo basso – Corrosione dei metalli, irritazione di occhi e pelle, distruzione dell'alcalinità totale.

Il risultato è troppo alto – Formazione di incrostazioni, acqua torbida, lento funzionamento del filtro/riscaldatore, irritazione occhi e pelle, scarsa efficacia del cloro.

Alcalinità totale (TA): indica il grado di resistenza dell'acqua ai cambiamenti del pH. Determina la velocità e la facilità di cambiamento del pH, pertanto, prima di regolare il livello del pH, regolare sempre l'alcalinità totale. Il risultato è troppo basso – Corrosione dei metalli, irritazione di occhi e pelle. La bassa alcalinità causa l'instabilità del pH.

Il risultato è troppo alto – Formazione di incrostazioni, acqua torbida, lento funzionamento del filtro/riscaldatore, irritazione occhi e pelle, elevata richiesta di cloro.

ANALISI CHIMICA E BILANCIAMENTO DELL'ACQUA DELLA SPA (continua)

Durezza del calcio (CaCO₃): si riferisce alla quantità di calcio e magnesio dissolta nell'acqua.

Il risultato è troppo basso – Difficoltà di bilanciamento dell'acqua, rischio di corrosione dei componenti metallici, irritazione occhi e pelle e acqua schiumosa.

Il risultato è troppo alto – Formazione di incrostazioni, acqua torbida, irritazione occhi e pelle, difficoltà di bilanciamento dell'acqua, inefficienza del filtro/riscaldatore.

Indice di saturazione (SI): temperatura, concentrazione durezza del calcio, alcalinità totale e pH rappresentano i principali fattori che influenzano la formazione di incrostazioni. La tendenza dell'acqua a formare incrostazioni o corrosioni viene indicata con l'indice di saturazione (SI):

$$SI = pH + TF + CF + AF - 12.1$$

*Dove: TF = Fattore Temperatura; CF = Fattore di durezza del calcio; AF = Fattore di totale alcalinità

Temperatura dell'acqua		TF	Durezza del Calcio (ppm)	CF	Alcalinità Totale (ppm)	AF
(°C)	(°F)					
8	46	0.2	75	1.5	50	1.7
12	54	0.3	100	1.6	75	1.9
16	61	0.4	150	1.8	100	2.0
19	66	0.5	200	1.9	150	2.2
24	75	0.6	250	2.0	200	2.3
29	84	0.7	300	2.1	300	2.5
34	93	0.8	400	2.2	400	2.6
40	104	0.9	500	2.3	--	--

Testare il livello del PH dell'acqua, la temperatura, la durezza del calcio e la totale alcalinità. Usare gli equivalenti Fattori nell'equazione SI.

SI = 0, Bilanciato

Se SI > 0, condizioni dell'acqua torbida o incrostate.

Se SI < 0, l'acqua può provocare irritazioni agli occhi e alla pelle o corrodere metalli.

Il valore SI si può considerare soddisfacente se è compreso tra un range di -0.3 e +0.3. Lo zero sarebbe perfetto.

Regolazione dell'acqua della SPA

Come regolare l'acqua della SPA quando il livello è fuori dal range ottimale.

ATTENZIONE: seguire sempre le indicazioni del produttore di prodotti chimici e le avvertenze sulla salute e sui danni.

Regolazione dell'alcalinità totale (TA)

Rimuovere la copertura della SPA per areare l'acqua e utilizzare le strisce test per controllare il livello di chimicità. Assicurarsi che il livello del cloro nell'acqua sia compreso tra 2 e 4 ppm, in quanto il cloro potrebbe influenzare il risultato del test TA.

Se il livello di TA (e non di pH) è superiore a 120 ppm, aggiungere un prodotto chimico appropriato per abbassarlo.

Se il livello di TA è inferiore a 60 ppm, aggiungere un prodotto chimico appropriato per aumentarlo.

NOTA: Dopo avere regolato l'acqua, è necessario testarla di nuovo dopo 24 h ed effettuare nuovamente il procedimento di regolazione, se necessario.

Regolazione del PH

Se l'alcalinità totale è stata abbassata a 120 ppm o aumentata a 80 ppm e il pH è ancora alto o basso, aggiungere un prodotto chimico appropriato per portare il livello di pH tra 6,8 e 7,6.

Regolazione della durezza del calcio

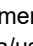
Usare le test strip incluse per controllare il livello di durezza dell'acqua, quindi regolarlo con un prodotto chimico appropriato.

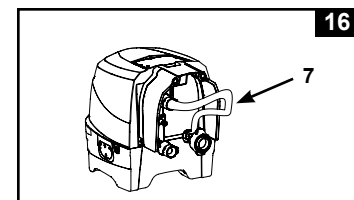
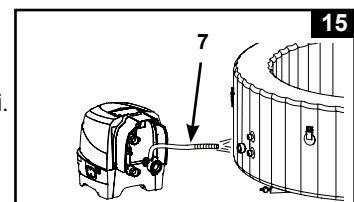
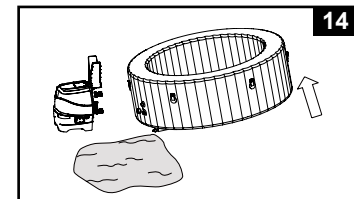
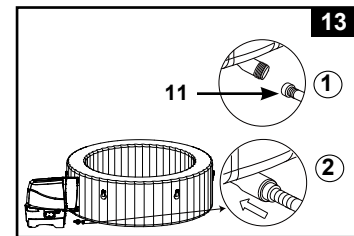
ATTENZIONE

Maneggiare tutti i prodotti chimici con attenzione e indossare dispositivi di protezione personale extra tra cui occhiali e guanti. E' molto importante non versare l'acido sulla pelle o sugli indumenti o negli occhi.

MANUTENZIONE

Scarico

1. Spegner l'unità di controllo della SPA.
2. Collegare l'adattatore della valvola di scarico a un tubo da giardino e direzionare l'altra estremità del tubo verso un'area adatta alla ricezione dell'acqua di scarico.
3. Rimuovere il coperchio della valvola di scarico all'esterno della vasca e collegare l'adattatore alla valvola di scarico (**vedi disegno 13**).
4. Dall'interno della vasca, aprire il coperchio della valvola di scarico, l'acqua inizierà a scorrere da tubo da giardino collegato.
5. Al termine dello scaricamento, scollegare l'unità di controllo dalla parete della spa. Sollevare la parete della spa dal lato opposto a quello di scarico, per consentire la fuoriuscita di eventuali residui di acqua di scarico (**vedi disegno 14**).
6. Collegare il tubo di gonfiaggio (7) alla bocchetta di gonfiaggio del soffiatore dell'unità di controllo.
7. Accendere la SPA e premere il bottone , inserire il tubo di gonfiaggio nella bocchetta di entrata/uscita sulla SPA e sull'unità di controllo e asciugare l'acqua nel sistema di tubature (**vedi disegni 15 & 16**).
8. Utilizzare un asciugamano pulito per asciugare eventuali residui d'acqua e di umidità nella vasca e sul pannello di controllo.
9. Assicurarsi che la vasca e il pannello di controllo siano perfettamente asciutti.
NOTA: Le spine incluse (15) possono essere utilizzate per coprire i connettori degli ingressi e delle uscite d'aria nella vasca per evitare la fuoriuscita d'acqua.



Pulizia

In caso di residui e sporco visibile sulla superficie dell'acqua, o se l'acqua diventa torbida e i detersivi chimici non risolvono il problema, cambiare l'acqua e pulire l'interno della vasca. Consultare la sezione "Scarico" per istruzioni sullo scarico dell'acqua.

Quando la vasca è vuota, rimuovere l'alloggiamento della cartuccia dall'interno della vasca e pulire e/o sostituire la cartuccia. Aiutarsi con una spugna e una soluzione detergente delicata per rimuovere macchie e residui dall'interno della vasca. Risciacquare con cura prima di riempire con acqua pulita.

IMPORTANTE: Non utilizzare detersivi aggressivi o utensili abrasivi per pulire.

Rimozione del biofilm

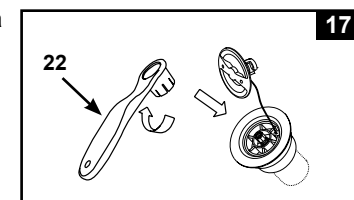
Contattare lo specialista locale per suggerimenti e prodotti per la rimozione del biofilm.

Fissaggio valvola dell'aria

Controllare periodicamente il funzionamento della valvola dell'aria verificando la presenza di perdite e il corretto fissaggio. In caso di perdite d'aria dalla valvola, utilizzare la chiave fornita (22) per stringere la valvola nel modo seguente:

1. Assicurarsi che la vasca sia sgonfia, aprire il coperchio della valvola dell'aria e inserire la chiave (22) nella valvola (**vedi disegno 17**).
2. Con una mano, tenere fermo il lato posteriore della valvola dall'interno della parete della vasca e ruotare la chiave (22) in senso orario.

IMPORTANTE: Non regolare mai la valvola quando la spa è in uso o è piena d'acqua. Utilizzare la chiave solo se la valvola d'aria è chiusa o vi è dispersione d'aria alla base della valvola. Non stringere troppo la valvola per evitare di danneggiarla. Assicurarsi solo che la valvola sia stretta correttamente senza perdite d'aria.



Copertura

Ispezionare regolarmente la copertura della spa e verificare la presenza di perdite, parti logorate, danni o segnali di deterioramento. Non utilizzare mai una copertura logorata o danneggiata: in tali condizioni non potrà fornire un livello di protezione adeguato per evitare l'accesso alla spa da parte dei bambini.

Pulire periodicamente la superficie interna ed esterna della copertura con una spugna e una soluzione adeguatamente disinfettante (10 mg per litro di cloro libero). Non usare pagliette metalliche, spazzole dure o detersivi abrasivi.

MANUTENZIONE (continua)

Area intorno alla vasca

Le superfici a contatto con i piedi nudi e le aree di relax intorno alla vasca devono essere pulite a intervalli regolari. L'acqua di pulizia non deve penetrare nella vasca o nel circuito idrico della vasca. Rimuovere accuratamente la sporcizia e i detersivi per evitare che entrino a contatto con la vasca.


Riparazione vasca e camera d'aria

Utilizzare le toppe di riparazione fornite per la riparazione di eventuali forature:

- Pulire e asciugare con cura l'area da riparare.
- Rimuovere la pellicola protettiva dal retro della toppa e applicare la toppa premendo con decisione sull'area da riparare. Livellare la superficie adesiva della toppa per rimuovere eventuali rigonfiamenti.

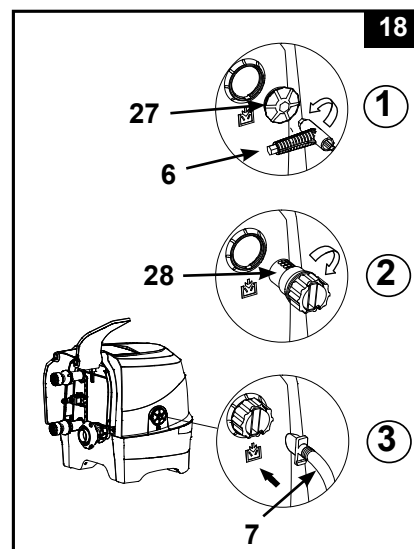
CONSERVAZIONE

Nelle regioni soggette a temperature sottozero, quando la temperatura scende sotto i 4°C (39°F), drenare, pulire, disassemblare e conservare adeguatamente la vasca e i suoi componenti in ambienti interni.

1. Asciugare e pulire la spa seguendo le istruzioni alle sezioni "Scarico" e "Pulizia".
2. Seguire a ritroso le istruzioni per sgonfiare e smontare la spa, il pannello di controllo e la camera d'aria della copertura.
3. Per sgonfiare la spa e il coperchio:
 - a) Togliere il tappo di sgonfiaggio (27) con l'apposita chiave inclusa (6) (vedere disegno 18).
 - b) Inserire l'adattatore del tubo di sgonfiaggio (28) nell'apposito foro.
 - c) Inserire il tubo di gonfiaggio (7) nell'adattatore (28).
 - d) Inserire la parte opposta del tubo di gonfiaggio nella valvola di gonfiaggio della spa o del coperchio.
 - e) Premere il pulsante  per sgonfiare la spa.
 - f) Quando lo sgonfiaggio è completato, invertire i passaggi precedenti e assicurarsi che il tappo (27) sia saldamente posizionato.

Attenzione! Utilizzare esclusivamente per lo scopo descritto in questo manuale. Mantenere il tubo di gonfiaggio lontano da acqua o piccoli oggetti quando la funzione di sgonfiaggio è attivata per evitare danni al motore del soffiatore.

4. Assicurarsi che tutti i componenti e gli accessori siano completamente puliti e asciutti prima di riporli. Lasciare asciugare la spa all'aria aperta prima di riporla.
5. Ripiegare la vasca senza premere troppo sulle pieghe ed evitare angoli e spigoli che potrebbero causare strappi o fori sul rivestimento.
6. Preparare le cartucce di ricambio per il prossimo utilizzo.
7. Riporre la vasca della spa e gli accessori in un locale chiuso, asciutto e con temperatura compresa tra 0°C e 40°C (32°F – 104°F).
8. È possibile riporla nella confezione di cartone originale.



GUIDA ALLA LOCALIZZAZIONE DEI GUASTI

PROBLEMA	CAUSA	RIMEDIO
IL DISPLAY È SPENTO/L'UNITÀ DI CONTROLLO NON FUNZIONA	<ul style="list-style-type: none"> • La SPA è scollegata o spenta. • La spina del pannello di controllo è allentata. • Interruzione dell'alimentazione. • RCD innescato. • RCD danneggiato. 	<ul style="list-style-type: none"> • Assicurarsi che la SPA sia collegata o accesa. • Assicurarsi che la spina del pannello di controllo sia saldamente collegata alla presa della base di controllo. • Verificare la fonte di alimentazione. • Ripristinare il RCD. • Contattare il Centro Assistenza Intex.
L'INTERRUTTORE DI SICUREZZA È SALTATO	<ul style="list-style-type: none"> • Interruttore di sicurezza sotto-potenziato. • Interruttore di sicurezza sovraccarico. • Guasto elettrico nella linea. 	<ul style="list-style-type: none"> • Verificare che il voltaggio della corrente sia corretto. • Utilizzare un alimentatore dedicato solo alla presa di corrente della SPA. • Contattare un elettricista per aggiustare il guasto elettrico.
LA POMPA NON RISCALDA CORRETTAMENTE	<ul style="list-style-type: none"> • La temperatura impostata è troppo bassa. • Il filtro della cartuccia è sporco. • La temperatura dell'acqua è diminuita durante la modalità STANDBY. • Non è possibile riscaldare i componenti. 	<ul style="list-style-type: none"> • Aumentare la temperatura e coprire la SPA con l'apposito telo. • Pulire o sostituire la cartuccia del filtro in tempo utile. • Se il sistema di riscaldamento è in modalità di STANDBY, premere due volte il pulsante con la fiamma per riscaldare l'acqua fino alla temperatura impostata. • Contattare il Centro Assistenza Intex.
IL SOFFIATORE D'ARIA (BOLLE) NON FUNZIONA	<ul style="list-style-type: none"> • La pompa è troppo calda. 	<ul style="list-style-type: none"> • Spegnerne e scollegare la SPA. Lasciare raffreddare e riavviare di nuovo. • Contattare il Centro Assistenza Intex.
LA POMPA DI FILTRAGGIO NON FUNZIONA	<ul style="list-style-type: none"> • Il filtro della cartuccia è sporco. • Il filtro di scarico è intasato. • Il motore della pompa filtro non funziona. 	<ul style="list-style-type: none"> • Pulire o sostituire la cartuccia del filtro in tempo utile. • Controllare e pulire regolarmente il filtro e lo scarico. • Contattare il Centro Assistenza Intex.
L'ACQUA NON È PULITA	<ul style="list-style-type: none"> • La cartuccia non è stata collegata correttamente. • Il tempo di filtraggio non è sufficiente. • Il filtro della cartuccia è sporco. • Il trattamento dell'acqua non è adeguato. • Le bocchette di filtrazione in entrata e uscita sono intasate. 	<ul style="list-style-type: none"> • Assicurarsi che la cartuccia sia installata correttamente. • Aumentare il tempo di filtraggio • Pulire o sostituire la cartuccia del filtro in tempo utile. • Mantenere l'acqua della vasca idromassaggio correttamente depurata. Fare riferimento alle istruzioni del produttore relative ai prodotti chimici. • Controllare e pulire regolarmente il filtro e lo scarico.
GLI ADATTATORI POMPA NON SONO AL LIVELLO DEGLI ADATTATORI SPA	<ul style="list-style-type: none"> • Una delle caratteristiche del PVC è che cambia forma con il tempo, ciò è normale. 	<ul style="list-style-type: none"> • Sollevare la pompa con del legno o altro materiale isolato per portare gli adattatori della pompa allo stesso livello di quelli della spa.
LA VASCA PRESENTA UNA FORMA ANOMALA	<ul style="list-style-type: none"> • Pressione dell'aria extra dovuta a forte luce solare. 	<ul style="list-style-type: none"> • Non esporre la Spa alla luce diretta del sole per lungo tempo. • Controllare la pressione dell'aria e rilasciare dell'aria se necessario. Con temperature atmosferiche particolarmente calde, controllare se è necessario rilasciare dell'aria. Ciò contribuisce ad evitare danni alla vasca.

GUIDA ALLA LOCALIZZAZIONE DEI GUASTI (continua)

PROBLEMA	CAUSA	RIMEDIO
IL TUBO PERDE PRESSIONE	<ul style="list-style-type: none"> • Il tappo della valvola di gonfiaggio è allentata. • La base della valvola di gonfiaggio è allentata. • Presenza di fori o strappi nella vasca. 	<ul style="list-style-type: none"> • Assicurarsi che il tappo della valvola di gonfiaggio sia chiuso saldamente. • Gonfiare la SPA e assicurarsi che la valvola di gonfiaggio sia chiusa correttamente, vedere la sezione dedicata "Fissaggio tubo valvola di gonfiaggio". • Versare del sapone liquido e dell'acqua in un flacone con erogatore e spruzzare sulle cuciture. In caso di perdite, si produrranno delle bollicine. Dopo aver localizzato la perdita, pulire e asciugare l'area interessata e applicare una toppa (inclusa).
PERDITE TRA IL TUBO CONNETTORE DELLA SPA E IL CONNETTORE DEL PANNELLO DI CONTROLLO	<ul style="list-style-type: none"> • Connettori degli ingressi o delle uscite dell'unità di controllo della spa non fissati correttamente. • Anello ad "o" dell'unità di controllo della spa mancante. 	<ul style="list-style-type: none"> • Stringere i connettori degli ingressi e delle uscite della spa. • Rivestire l'anello ad "o" con della vaselina per assicurarne l'impermeabilità. • Rimuovere con un cacciavite la griglia all'interno della SPA, assicurarsi che la guarnizione in entrata/uscita sia ben posizionata, pulita e non danneggiata.
LA SPA E' TROPPO RUMOROSA NELLA MODALITA' FILTRAZIONE	<ul style="list-style-type: none"> • I componenti del pannello di controllo non sono collegati correttamente. • Il pannello di controllo non è in piano nè stabile. • Guasto al motore del filtro della vasca idromassaggio. 	<ul style="list-style-type: none"> • Verificare che il pannello di controllo, la copertura posteriore e tutte le parti di ingresso/uscita siano collegati correttamente. • Assicurarsi che la superficie di appoggio sia in piano, stabile e liscia. • Sostituire il motore del filtro guasto con uno nuovo.
PRESSIONE DELL'ARIA DEBOLE DURANTE IL GONFIAGGIO	<ul style="list-style-type: none"> • L'adattatore per tubo o l'o-ring sono mancanti. • L'adattatore per tubo non è fissato saldamente. • Il collegamento tra l'adattatore per tubo e l'uscita di gonfiaggio del compressore, o tra il tubo di gonfiaggio e la valvola di gonfiaggio, non è saldo. • Malfunzionamento del compressore. 	<ul style="list-style-type: none"> • Assicurarsi che l'o-ring sia posizionato correttamente. • Serrare/reinstallare l'adattatore per tubo. • Serrare a mano durante il gonfiaggio. • Contattare il Centro Assistenza Intex.
LE BOLLE D'ARIA SONO DIVENTATE DEBOLI	<ul style="list-style-type: none"> • O-ring mancante tra l'uscita dell'aria sulla base di controllo e i collegamenti di ingresso dell'aria sulla vasca della spa. • Il dado di collegamento dell'aria non è serrato. • Il canale di passaggio delle bolle d'aria all'interno della vasca è danneggiato o presenta perdite. • Malfunzionamento del compressore. 	<ul style="list-style-type: none"> • Assicurarsi che l'o-ring sia posizionato correttamente. • Serrare a mano tutti i dadi. • Usare la toppa di riparazione per riparare eventuali forature. • Contattare il Centro Assistenza Intex.

IMPORTANTE

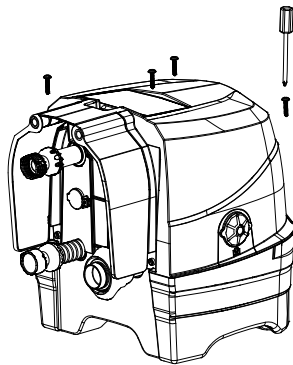
Nel caso in cui continuino a sussistere dei problemi, contattare il Servizio Assistenza. Vedere la pagina "Centri Assistenza Autorizzati".

DISASSEMBLAGGIO DEL MOTORE DELLA POMPA FILTRO

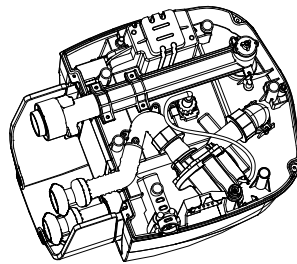
Se è necessario sostituire il motore del filtro (solo per tecnici qualificati), seguire i passaggi descritti di seguito per disassemblarlo.

IMPORTANTE: Drenare l'eventuale acqua rimanente all'interno delle tubature nella base di controllo prima di sostituire qualsiasi parte.

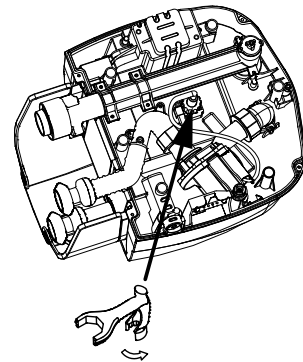
Utensili richiesti: Una chiave regolabile & una cacciavite.



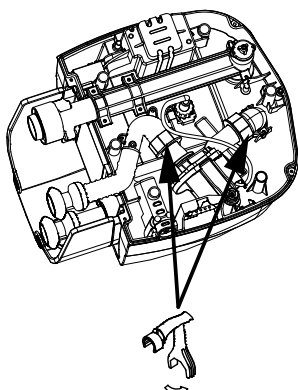
1



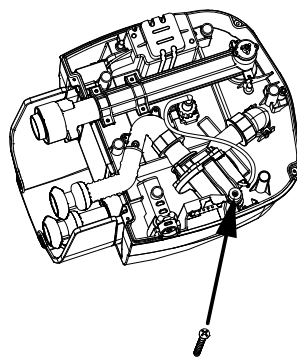
2



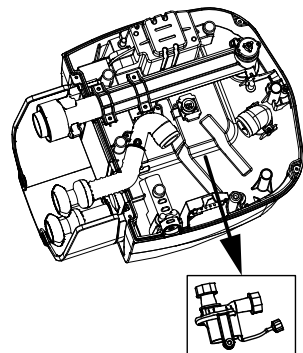
3



4



5



6

NOTA: La "chiave speciale" è inclusa con il nuovo motore di ricambio della pompa filtro e non con la vasca

GARANZIA LIMITATA

Questa PureSpa è stata prodotta utilizzando i materiali più pregiati e la migliore qualità produttiva. Tutti i prodotti Intex sono stati testati e non presentano difetti di fabbrica. La presente garanzia limitata si applica solo alle PureSpa elencate di seguito.

Questa garanzia si aggiunge a, e non è in sostituzione di, vostri diritti di legge. Qualora questa garanzia non rispetti i vostri diritti di legge, questi ultimi hanno la priorità. Ad esempio, le leggi a tutela dei consumatori all'interno dell'Unione Europea, prevedono dei diritti di legge aggiuntivi alla copertura prevista da questa garanzia. Per conoscere i diritti garantiti dalla UE, visitate il sito: http://ec.europa.eu/consumers/ecc/contact_en/htm.

Le disposizioni della presente garanzia si riferiscono esclusivamente all'acquirente e non sono cedibili ad altri. La presente garanzia ha durata di 1 anno dalla data d'acquisto. Conservare la ricevuta d'acquisto insieme al manuale d'istruzione, come prova d'acquisto che dovrà essere esibita insieme alla garanzia in caso di reclami.

Garanzia PureSpa – 1 Anno

Se viene riscontrato un difetto di produzione durante il periodo di garanzia, prego contattare il Centro Assistenza appropriato tra quelli elencati nella pagina "Centri Assistenza Autorizzati". Se il prodotto è restituito, come suggerito dal Centro di Servizio Intex, esso verrà controllato e ispezionato per determinare la veridicità del reclamo. Se il prodotto è coperto dalle disposizioni della garanzia, il prodotto verrà riparato o sostituito, con lo stesso prodotto o un altro di valore simile (a scelta di Intex), senza nessun costo aggiuntivo per il cliente finale.

Oltre a questa garanzia e ad eventuali altri diritti garantiti dal rispettivo paese di appartenenza, non sono previste ulteriori garanzie. Anche se previsto dal paese di appartenenza, in nessun caso Intex sarà responsabile nei confronti dell'utente o di terzi per danni diretti o indiretti derivanti dall'uso del PureSpa, o per azioni da parte di Intex, suoi agenti e suoi dipendenti (compresa la fabbricazione del prodotto). Alcuni paesi o giurisdizioni non consentono l'esclusione o la limitazione dei danni incidentali o consequenziali, pertanto la suddetta limitazione o esclusione potrebbe non applicarsi a voi.

La presente garanzia non trova applicazione qualora:

- Se PureSpa è soggetto a negligenza, utilizzo o applicazioni non idonee, incidenti, per operazioni improprie, voltaggio non idoneo o diverso da quello indicato nelle istruzioni, manutenzione o conservazione non corretta;
- Se PureSpa è soggetto a danneggiamento a causa di circostanze non controllabili da Intex, incluse ma non limitate a, normale usura e danni causati da esposizione al fuoco, inondazioni, gelo, pioggia o altri eventi atmosferici;
- Se la PureSpa viene utilizzata per scopi commerciali;
- Per parti e componenti non vendute da Intex; e/o
- Per modifiche non autorizzate, riparazioni o smontaggio al PureSpa da soggetti diversi del personale del centro assistenza Intex.

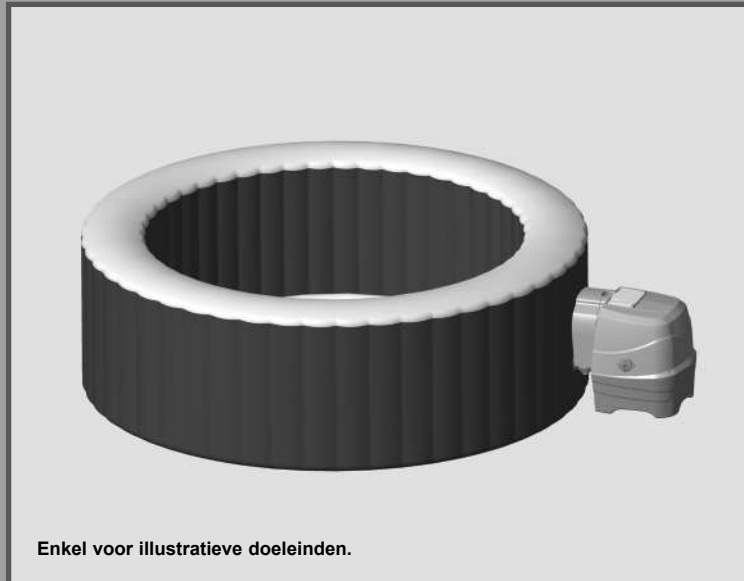
I costi sostenuti per la perdita d'acqua della piscina, additivi chimici o danni idrici non vengono coperti dalla garanzia. Danni a persona o a cosa non vengono coperti da questa garanzia.

Leggere attentamente il manuale e seguire le istruzioni relative al funzionamento e manutenzione delle PureSpa. Controllare sempre il prodotto prima dell'uso. La garanzia può decadere se non vengono seguite le avvertenze.

BELANGRIJKE VEILIGHEIDSinSTRUCTIES

Lees de handleiding zorgvuldig voordat u het product gebruikt. Volg alle instructies nauwkeurig op. Bewaar de instructies.

PureSpa™ SB-H20



Enkel voor illustratieve doeleinden.

Probeer ook eens onze andere Intex producten, zoals: zwembad accessoires, opblaasbare zwembaden, speelgoed voor binnenshuis, luchtbedden en boten. Te verkrijgen bij de betere speelgoed- en zwembadwinkels. Of kijk eens op onze website.

Door ons streven naar continue productverbeteringen heeft Intex het recht productspecificaties en ontwerpen zonder kennisgeving te wijzigen, wat zou kunnen resulteren in wijzigingen in de handleiding.

INTEX®

©2020 Intex Marketing Ltd. - Intex Development Co. Ltd. - Intex Recreation Corp.
All rights reserved/Tous droits réservés/Todos los derechos reservados/Alle
Rechte vorbehalten. Printed in China/Imprimé en Chine/Impreso en China/
Gedruckt in China.

®™ Trademarks used in some countries of the world under license from/®™ Marques utilisées dans certains pays sous licence de/Marcas registradas utilizadas en algunos países del mundo bajo licencia de/Warenzeichen verwendet in einigen Ländern der Welt in Lizenz von/Intex Marketing Ltd. to/à/a/an Intex Development Co. Ltd., G.P.O Box 28829, Hong Kong & Intex Recreation Corp., P.O. Box 1440, Long Beach, CA 90801 • Distributed in the European Union by/Distribué dans l'Union Européenne par/Distribuido en la unión Europea por/Vertrieb in der Europäischen Union durch/Intex Trading B.V., Venneveld 9, 4705 RR Roosendaal – The Netherlands
www.intexcorp.com

INHOUD

Veiligheidsvoorschriften.....	3-6
Onderdelen lijst.....	7-8
Montage instructies.....	9-14
In gebruik nemen.....	15
LED-code tabel.....	16
Advies voor het minimaliseren van warmteverlies en energieverbruik.....	17
Onderhoud en chemicaliën.....	18-22
Winterstalling.....	22
Problemen en oplossingen.....	23-24
Motor voor filterpomp uit elkaar halen.....	25
Verklaring van beperkte garantie.....	26

VEILIGHEIDSVOORSCHRIFTEN

Bij het installeren en gebruiken van deze elektrische apparatuur, moeten de basisvoorzorgsmaatregelen voor de veiligheid altijd worden opgevolgd.

LEES AL DEZE INSTRUCTIES ZORGVULDIG DOOR EN VOLG ZE OP

⚠ GEVAAR

- Gevaar voor verdrinking (speciaal voor kinderen jonger dan 5 jaar). Wees voorzichtig om ongeautoriseerde toegang van kinderen tot de spa te voorkomen. Dit kan worden bereikt door toezicht door een volwassene die de toegang controleert of door de montage van een veiligheidsbeschermingsapparaat bij de spa. Om ongelukken tijdens het gebruik van de spa te voorkomen, dient u ervoor te zorgen dat kinderen onder constant toezicht staan.
- Gevaar voor verdrinking. Inspecteer het afdekzeil regelmatig op lekken, vroegtijdige slijtage of schade. Gebruik nooit een versleten of beschadigd afdekzeil: deze levert niet het beschermingsniveau welke nodig is om een ongecontroleerde toegang tot de spa door een kind te vermijden.
- GEVAAR VOOR VERWONDINGEN. De aanzuigfittings in deze spa zijn afgestemd op de specifieke waterstroom die door de pomp wordt gecreëerd. Mocht het nodig zijn om de aanzuigfittings of de pomp te vervangen, dient u ervoor te zorgen dat de stroomsnelheden compatibel zijn. Gebruik de spa nooit als de aanzuigfittings stuk zijn of ontbreken. Vervang nooit een aanzuigfitting met een nominale waarde die lager is dan de stroomsnelheid die is aangegeven op de originele aanzuigfitting.
- GEVAAR VOOR VERWONDINGEN. Gebruik het product niet met een beschadigde elektriciteits snoer. Graaf de elektriciteits snoer niet in. Gebruik geen verlengkabel snoer.
- GEVAAR VOOR ELEKTRISCHE SCHOKKEN. Houdt alle elektrische apparaten op een minimale afstand van 3.5m van de spa.
- GEVAAR VOOR ELEKTRISCHE SCHOKKEN. Gebruik de spa niet met regen of onweer.

⚠ WAARSCHUWING

- De Spa moet worden gevoed door een geïsoleerde transformator of via een RCD (Residual Current Device – Reststroomapparaat) met een nominale bedrijfsreststroom van maximaal 30 mA.
- Het elektrisch spatoestel bevat een draagbare aardlekschakelaar (PRCD) met een nominale reststroom van niet meer dan 10 mA. Als een lekstroom van meer dan 10 mA wordt waargenomen, treedt de PRCD in werking en wordt de voeding onderbroken. In dit geval, ontkoppel de spa en stop onmiddellijk met het gebruiken van de spa. Neem vervolgens contact op met uw lokaal servicecentrum voor advies en/of reparatie van het product.
- Elektrische producten met een voltage hoger dan 12 V mogen niet binnen bereik van personen in de spa zijn.
- De elektrische installatie dient te voldoen aan lokale regels en wetten.
- Gebruik geen elektrische apparaten in en om de spa.
- Laat kinderen geen gebruik maken van de spa zonder toezicht van een volwassene.
- Dek de spa wegens veiligheidsredenen altijd af met het afdekzeil indien deze niet in gebruik is.
- OM HET GEVAAR VOOR VERWONDINGEN TE BEPERKEN/ZIEKTE:
 - a) Het water in een spa mag nooit warmer zijn dan 40°C. Een watertemperatuur tussen 38°C en 40°C wordt beschouwd als veilig voor een gezonde volwassene. Voor jonge kinderen en wanneer de spa langer dan 10 minuten wordt gebruikt, wordt een lagere watertemperatuur aanbevolen. Het wordt aanbevolen om voor gebruik medisch advies in te winnen.
 - b) Omdat buitensporige watertemperaturen een hoog potentieel hebben bij het veroorzaken van schade bij de foetus tijdens de eerste maanden van de zwangerschap, moeten zwangere of mogelijk zwangere vrouwen de temperatuur van het water van de spa en de duur van het gebruik beperken en moeten zij ook medisch advies inwinnen.

▲ WAARSCHUWING

- c) De gebruiker moet de watertemperatuur controleren voordat hij de spa betreedt.
- d) Personen welke last hebben (gehad) van zwaarlijvigheid, hartklachten, lage of hoge bloeddruk, problemen met de bloedsomloop of diabetes dienen een arts te raadplegen alvorens zij gebruik maken van de Spa.
- e) Personen met een medische aandoening moeten medisch advies inwinnen alvorens een spa te gebruiken.
- f) Personen die medicatie gebruiken en/of een negatieve medische geschiedenis hebben, moeten medisch advies inwinnen alvorens een spa te gebruiken, omdat sommige medicijnen slaperigheid kunnen veroorzaken, terwijl andere medicijnen de hartslag, bloeddruk en bloedsomloop kunnen beïnvloeden.
- g) Laat uw hoofd niet onder water komen en slik het spa-water niet in.
- Personen met een besmettelijke aandoening mogen geen spa of jacuzzi gebruiken.
 - Betreed de Spa voorzichtig om letsel te voorkomen.
 - Gebruik het Spa niet onmiddellijk na zware sportbeoefening.
 - Het voor lange tijd onder water blijven in de Spa kan schadelijk zijn voor de gezondheid.
 - Indien u zwanger bent kan het voor langere periode in warm water verblijven schadelijk zijn voor de foetus. Meet de watertemperatuur alvorens u de spa betreedt, het water mag niet warmer zijn dan 38°C. Breng niet langer dan 10 min. door in de spa.
 - Wees voorzichtig met temperatuurverschillen. De spa bevat warm water, dit kan duizeligheid of extreme moeheid veroorzaken wat kan resulteren in bewusteloosheid. Indien u zich onprettig, duizelig of extreem moe voelt dient u de spa direct te verlaten. Bewusteloosheid in de spa kan verdrinking als gevolg hebben.
 - Voeg chemicaliën toe aan het water, niet water aan de chemicaliën, daar het vrijkomen van chloorgas hierdoor veroorzaakt kan worden.
 - Niet duiken of springen.
 - Installatie en demontage mag enkel door volwassenen worden uitgevoerd.
 - Dit apparaat kan gebruikt worden door kinderen van 8 jaar of ouder, zorg er altijd voor dat de instructies worden opgevolgd en dat het apparaat alleen gebruikt wordt door personen die dit veilig doen en zich bewust zijn van eventuele risico's. Dit apparaat is geen speelgoed, laat kinderen dit niet zonder toezicht gebruiken.
 - Houdt de spa op zijn minst 4m verwijderd van het stopcontact.
 - Voordat u het apparaat gaat verplaatsen verschoneren of onderhouden dient het alstijd losgekoppeld te zijn van het stopcontact. Dit dient ook te gebeuren als het apparaat in aanraking kan komen met regen.
 - Begraaf de elektrische snoer niet in de grond maar zorg er wel voor dat deze niet beschadigd kan geraken door bijvoorbeeld een grasmaaier.
 - Plaats het snoer niet in de grond. Leg het zo neer, dat het niet kan worden beschadigd door maaimachines, heggenscharen of andere machines. Bij reparatie, gebruik alleen identieke vervangingsonderdelen.

⚠ WAARSCHUWING

- **Houd de stekker altijd droog. Sluit nooit een natte stekker aan!**
- De stekker van de SPA mag alleen op een geaard stopcontact van een vaste elektrische installatie worden aangesloten.
- Gebruik geen timer of verlengkabel en laat de snoer in originele staat om elektrische schok en vuur te voorkomen.
- Zorg ervoor dat uw handen droog zijn wanneer u de stekker in het stopcontact plaatst, poog niet de stekker uit het stopcontact te verwijderen of hierin te plaatsen terwijl u in het water staat of zit.
- Laat de spa niet voor langere periode zonder water staan. Stel de Spa niet voor een lange tijd aan direct zonlicht bloot.
- Wanneer het product voor een lange periode niet gebruikt wordt, zoals in de winter, is het raadzaam de PureSpa te demonteren en binnenshuis op te bergen.
- Voorkom bevriezing van het water in de spa. Zet de spa nooit aan indien het water bevroren geraakt is.
- Gebruik de Spa niet indien er sprake is van beschadiging of disfunctioneren van het elektrische gedeelte van de Spa. Raadpleeg direct onze service afdeling of een elektricien.
- Gebruik de spa nooit indien er niemand in de buurt is en sta anderen ook niet toe dit te doen.
- Gebruik nooit water warmer dan 40°C om de spa mee te vullen of om aan het water toe te voegen.
- Houdt huisdieren op veilige afstand van de spa om schade te voorkomen.
- Gebruik geen bad- olie, schuim of zout in het water van de spa.
- De Spa dient op een vlakke, egale ondergrond te worden geïnstalleerd welke geschikt is om het gewicht van de Spa compleet gevuld met water en inzittenden te dragen (1136 kg). 6 volwassenen (1592 kg). 8 volwassenen (1999 kg).
- Zorg voor een goede afvoer van overgestroomd water.
- Gebruik om veiligheidsredenen uitsluitend accessoires die door de fabrikant van de spa worden geleverd.
- Niet voor openbaar/commercieel gebruik en/of in woonblokken toegankelijk voor iedere huurder.
- Neem alle informatie voor de installatie, reiniging en het onderhoud in de onderstaande paragrafen in de gebruiksaanwijzing in acht.

Lees de instructies zorgvuldig. Volg ze nauwkeurig op bij de installatie en in gebruikname van uw product. In deze waarschuwingen, instructies en veiligheidsrichtlijnen worden enkele risico's van waterrecreatie benoemt, het is echter niet mogelijk alle risico's en gevaren te benoemen. Wees alert en gebruik uw gezond verstand en beoordelingsvermogen tijdens activiteiten in het water. Bewaar de instructies. Lees de verpakking zorgvuldig en bewaar deze goed. Verdere waarschuwingen zijn op het product weergegeven.

Veiligheid van ongeschoolde zwemmers

- Continu en waakzaam toezicht van een competente volwassenen is te allen tijde vereist bij slechte en ongeschoolde zwemmers (verdrinkingsgevaar is hoger voor kinderen jonger dan vijf jaar).
- Zorg iedere keer dat het spa gebruikt wordt voor toezicht van een competente volwassenen.
- Verwijder al het speelgoed in en om het spa indien het spa niet gebruikt wordt en er geen toezicht is.

Veiligheidsvoorzieningen

- Er moet een veiligheidsafdekking of een andere veiligheidsvoorziening worden gebruikt, of alle deuren en ramen (indien van toepassing) moeten worden beveiligd om ongeautoriseerde toegang tot de spa te voorkomen.

⚠ WAARSCHUWING

- Omheiningen, afdekkingen, zwembad alarmen of vergelijkbare veiligheidsvoorzieningen zijn handige hulpmiddelen maar vervangen constant toezicht van een competente volwassene niet.

Veiligheidsvoorzieningen

- Zorg ervoor dat er een werkende telefoon voor noodgevallen in de buurt van het spa aanwezig is.

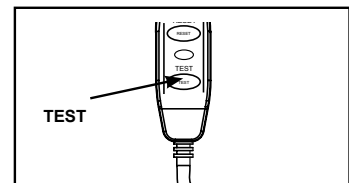
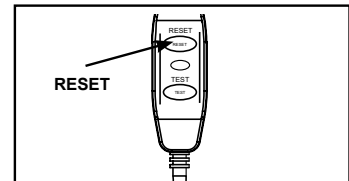
Veilig gebruik maken van het spa

- Moedig alle gebruikers, vooral kinderen, aan om te leren zwemmen.
- Zorg dat u eerste hulp kunt toepassen.
- Instrueer alle zwemmengebruikers, ook kinderen, hoe te handelen bij een noodgeval.
- Duik nooit in ondiepe wateren, dit kan leiden tot letsel.
- Gebruik geen alcohol of medicatie welke invloed kan hebben op het veilig gebruiken van het spa.
- Indien u gebruik maakt van een afdekzeil zorg er dan voor dat deze volledig van het spa verwijderd is alvorens u het bad gebruikt.
- Bescherm de spagebruikers tegen water gerelateerde ziekten en zorg voor schoon en hygiënisch water door gebruik van spa chemicaliën en desinfectie.
- Bewaar spa chemicaliën buiten bereik van kinderen.
- Bevestigde de veiligheidssignalering op de spa of op een afstand van 2 m rondom de spa op een goed zichtbare plaats.

⚠ WAARSCHUWING

- Dit product is voorzien van een RCD welke is geplaatst aan het einde van het snoer. De RCD moet getest worden voor elk gebruik. Gebruik de spa nooit als de RCD niet goed functioneren. Verwijder de stekker totdat de storing is opgespoord en verholpen. Neem contact op met een erkend elektricien om de storing te verhelpen. Probeer de RCD nimmer te omzeilen. Er zijn geen onderdelen in de RCD welke kunnen worden vervangen. Het openen van de RCD maakt de garantie ongeldig.

1. Steek de stekker van de eenheid in een geaard stopcontact.
2. Druk de **RESET** knop in op de RCD.
3. Zet de spa aan.
4. Druk de **TEST** knop in op de RCD. Het RCD-indicatielampje en de spa zouden uit moeten gaan. Als het indicatielampje en de spa niet gelijktijdig uitgaan maak dan geen gebruik van de spa. Neem contact op met een gekwalificeerde elektricien om de RCD na te kijken.
5. Druk de **RESET** knop in op de RCD. Het RCD-indicatielampje en de spa zouden uit moeten gaan. Als het indicatielampje en de spa niet gelijktijdig uitgaan maak dan geen gebruik van de spa. Neem contact op met een gekwalificeerde elektricien om de RCD na te kijken.

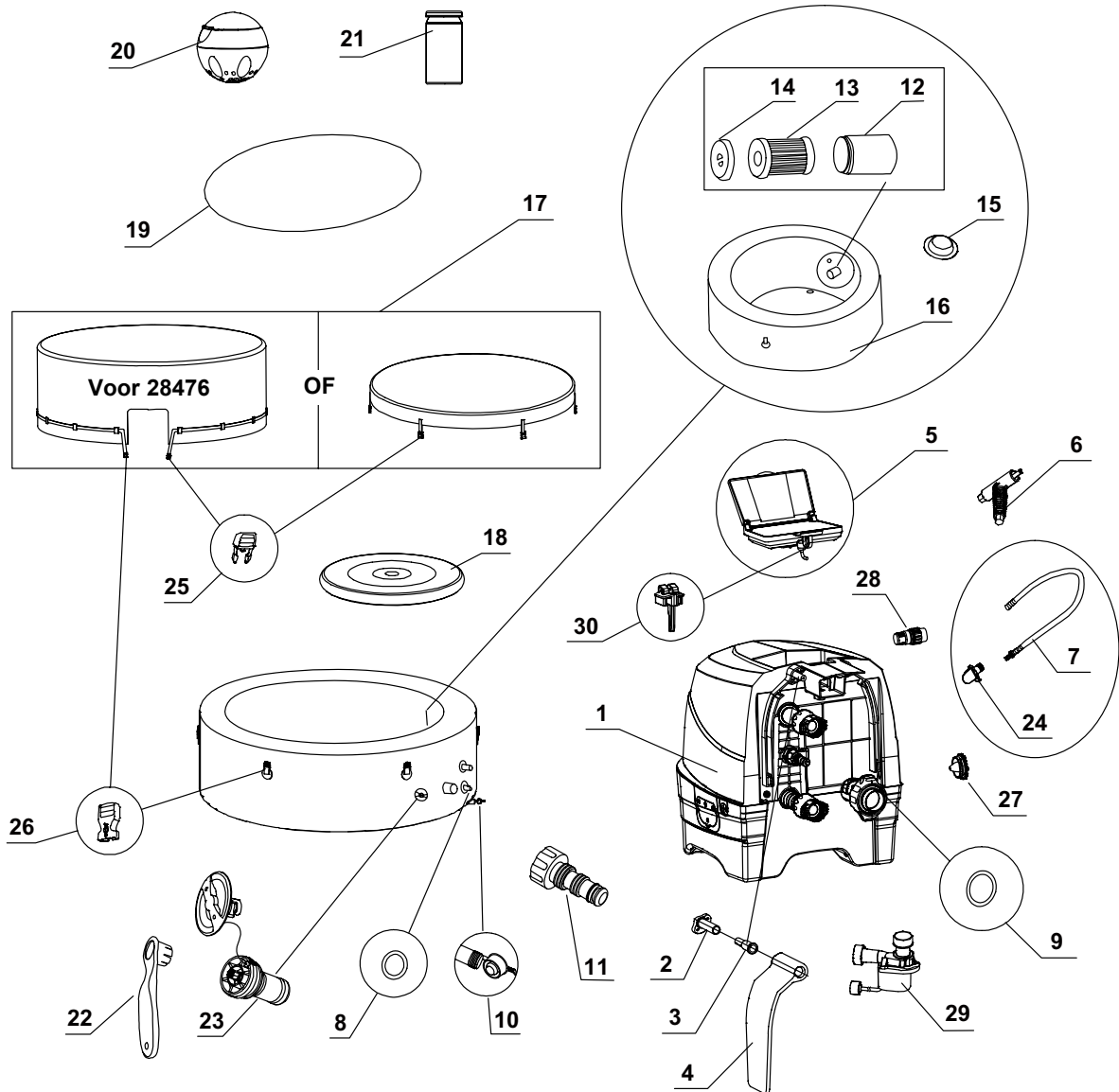


⚠ VOORZICHTIGHEID

- Om gevaar door een onbedoelde terugstelling van de thermische beveiliging te vermijden dient dit apparaat niet gebruikt te worden met een extern schakelapparaat, zoals een timer, of aangesloten te worden op een stroomkring die door het nutsbedrijf regelmatig wordt in- en uitgeschakeld.
- Gebruik de chemicaliën op de manier waarop de producent hiervan dat voorgeschreven heeft.

ONDERDELEN LIJST

Controleer eerst goed of u alle onderdelen heeft, alvorens het zwembad op te zetten.



NB: De tekeningen zijn illustratief en niet op schaal. Kunnen afwijken van bijgesloten product.

ONDERDELEN LIJST (vervolg)

Controleer eerst goed of u alle onderdelen heeft, alvorens het zwembad op te zetten.

NR.	OMSCHRIJVING	AANTAL	ONDERDEEL NR.					
			4 VOLWASSENEN			6 VOLWASSENEN		8 VOLWASSENEN
			28426	28430	28476	28428	28432	28412
1	CONTROLE UNIT	1	12836	12836B	12836	12836	12836B	12836
2	SCHARNIERBASIS VAN ZIJDEKSEL	2	12771D	12771D	12771D	12771D	12771D	12771D
3	SCHARNIERBEVESTIGING VAN ZIJDEKSEL	2	12772D	12772D	12772D	12772D	12772D	12772D
4	ZIJDEKSEL VOOR REGELEENHEID	2	12770W	12770B	12770W	12770W	12770B	12770W
5	BEDIENINGSPANEEL	1	12840	12840B	12840	12840	12840B	12840
6	BOUTSLEUTEL VOOR BEDIENINGSPANEEL	1	11053	11053	11053	11053	11053	11053
7	OPBLAASSLANG VOOR SPA/AFDEKZEIL	1	11830	11830	11830	11830	11830	11830
8	O-RING IN- EN UITLAAT CONTROLE UNIT	2	11699	11699	11699	11699	11699	11699
9	O-RING DE LUCHTINLAAT CONTROLE UNIT	1	11687	11687	11687	11687	11687	11687
10	UITLOOPVENTIEL	1	11995	11995	11995	11995	11995	11995
11	ADAPTER VOOR UITLOOPVENTIEL	1	13036	13036	13036	13036	13036	13036
12	BEHUIZING VOOR FILTER	1	11798	11798	11798	11798	11798	11798
13	FILTER	2	11692	11692	11692	11692	11692	11692
14	AFDEKKING FILTER	1	11797	11797	11797	11797	11797	11797
15	DOP IN- EN UITLAAT	3	11739	11739	11739	11739	11739	11739
16	SPA	1	11842	12260	11842	12106	12258	12957
17	AFDEKZEIL	1	11841	12261	12752	12107	12256	12958
18	LUCHTZAK (AFDEKZEIL)	1	11689	11689	12753	12108	12108	12959
19	GRONDZEIL	1	11717	11717	11717	12109	12109	12960
20	DRIJVER VOOR CHEMICALIËN	1	12735	12735	12735	12735	12735	12735
21	TEST STRIPS	1	11855	11855	11855	11855	11855	11855
22	SLEUTEL	1	11742	11742	11742	11742	11742	11742
23	ONTLUCHTINGSVENTIEL	1	12589	12589B	12589	12589	12589B	12589
24	SLANGADAPTER (REEDS GEÏNSTALLEERD MET NR. 7)	1	12773	12773	12773	12773	12773	12773
25	CLIP AAN AFDEKZEIL	6	11698	11698B	-	11698	11698B	11698
		1	-	-	11698	-	-	-
26	CLIP AAN SPA	6	11799	11799B	-	11799	11799B	11799
		1	-	-	11799	-	-	-
27	DOP VOOR UITLAAT	1	12775W	12775B	12775W	12775W	12775B	12775W
28	ADAPTER SLANG	1	12774	12774	12774	12774	12774	12774
29	FILTER MOTOR	1	12778	12778	12778	12778	12778	12778
30	PANEELBEVESTIGING	1	10064	10064B	10064	10064	10064B	10064

Wanneer u onderdelen bestelt, noem dan altijd het juiste modelnummer van het betreffende onderdeel.

PRODUCT SPECIFICATIE

Voltage/frequentie/fase	220 - 240 V / 50 Hz / 1 PH		
Maximaal aantal personen:	4 volwassenen	6 volwassenen	8 volwassenen
Inhoud:	210 gal (795 L)	290 gal (1098 L)	354 gal (1340 L)
Binnenste/buitenste diameter:	57/77 in (145/196 cm)	65/85 in (165/216 cm)	73/93 in (185/236 cm)
Hoogte:	28 in (71 cm)		
Lucht blazer:	800 W		
Capaciteit filterpomp:	460 gal/uur (1,741 L/uur)		
Verbruik verwarming:	2,200 W		
Temperatuur mogelijkheden:	20°C – 40°C (68°F – 104°F)		
Verwarmingssnelheid:	1.5-2.5°C/uur (3°F – 4.5°F/uur)	1-2°C/uur (2°F – 3.5°F/uur)	0.8-1.5°C/uur (1.5°F – 3°F/uur)
Aantal Bubble Jets™:	120 (28426 / 28476) 140 (28430)	140 (28428) 170 (28432)	170
Aangeraden luchtdruk:	0.083 bar (1.2 psi)		

Opblaasbare, draagbare bovengrondse op stroom werkende spa met pomp, verwarming, blazer, ingebouwde hard water-behandeling en bedieningspaneel.

NB: De jacuzzi is voorzien van een volledig geaard systeem dat tevens in contact met het water staat. Het is mogelijk dat een persoon statische elektriciteit opbouwt die tijdens het aanraken van het water wordt afgegeven. Elke elektrische schok die wordt ervaren moet echter door een vakbekwame elektricien worden onderzocht voordat de jacuzzi gebruikt mag worden. Ontkoppel de jacuzzi van de voeding totdat de oorzaak is bepaald en de corrigerende maatregel is voltooid.

⚠ WAARSCHUWING

Brandgevaar: Dit product heeft minimum 13 Amp nodig. De meeste stroomkringen in woningen hebben 13 tot 16 Amp. Als de leidingbeveiligingsschakelaar wordt geactiveerd, controleer of er zich geen andere apparaten of een andere grote belasting op dezelfde stroomkring als de spa bevinden. Gebruik geen verlengkabel snoer. Wikkel het snoer af voor gebruik. Leg de stekker nooit op een brandbaar materiaal.

MONTAGE INSTRUCTIES**Benodigde voorbereiding van ondergrond en de hieraan gestelde eisen**

- De spa kan zowel binnen- als buitenshuis gebruikt worden. Gebruik het product enkel waarvoor deze bedoelt is.
- Zorg ervoor dat het gebied waterbestendig, vlak, effen en vrij van scherpe voorwerpen onder of rond de spa is.
- Zorg voor een goed gemonteerd, geaard stopcontact met een beschermingsklasse IPX4 of hoger om de spa aan te sluiten en met een eenvoudige toegang voor periodieke tests van de op netspanning aangesloten aardlekschakelaar.
- Zorg voor genoeg ruimte rondom te spa om deze op de juiste manier te kunnen onderhouden.
- Zorg voor een goede afvoer nabij de opzetlocatie zodat u het bad gemakkelijk leeg kunt laten lopen bij langdurige opslag. Controleer de lokale en nationale voorschriften met betrekking tot de vereisten voor de afvoer van het water van de spa.
- Om geluidsoverlast te verminderen, mag de spa niet in de onmiddellijke nabijheid van verticale muren worden geïnstalleerd.
- Het gebied moet binnen het bereik zijn van de zoetwatervoorziening in overeenstemming met de plaatselijke waterwetgeving, en waarvan de parameters moeten worden aangepast aan de hand van de waterchemie en balans-gedeelte van de gebruiksaanwijzing voor de eerste ingebruikname van de spa.
- Controleer de plaatselijke wet en regelgeving met betrekking tot de spa-installatie binnens- en/of buitenshuis.

Voorschriften voor installatie binnenshuis

- De Spa dient op een vlakke, egale ondergrond te worden geïnstalleerd welke geschikt is om het gewicht van de Spa compleet gevuld met water en inzittenden te dragen.
- Zorg ervoor dat de ondergrond waterbestendig en slipvrij is. Plaats de spa niet op tapijt of ander materiaal dat beschadigd zal raken door vocht.
- Plaats de spa niet een verdieping boven leefruimte vanwege de kans op schade door water en/of vocht.

MONTAGE INSTRUCTIES (vervolg)

- Vochtigheid is een normaal bijverschijnsel bij installatie van een spa binnenshuis. De ruimte zal goed geventileerd moeten worden zodat het vocht weg kan, zorg voor een goed ventilatiesysteem in de desbetreffende ruimte.

Voorschriften installatie binnenshuis

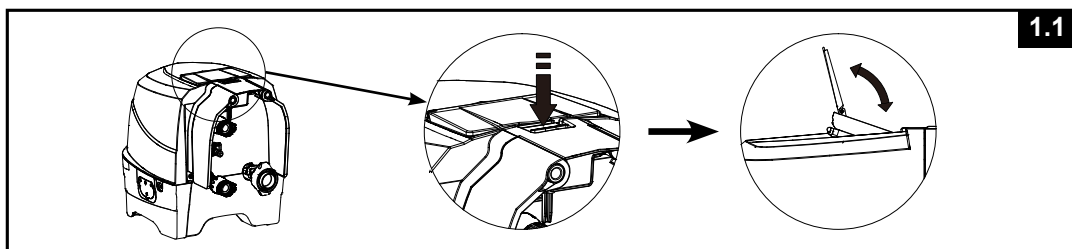
- Spa eigenaren dienen zich te houden aan de lokale regel- en wetgevingen die hiervoor gelden. Zorg er dus voor dat u op de hoogte bent van de aanpassingen die u dient te doen.
- De spa dient op een vlakke, egale ondergrond te worden geïnstalleerd welke geschikt is om het gewicht van de spa compleet gevuld met water en inzittenden te dragen.
- Plaats de spa niet op gras of zand, dit zorgt voor beschadiging aan de onderkant van de spa, daarnaast zal er zo ook meer vuil in het water terecht komen.
- **Stel de spa niet voor langere tijd aan direct zonlicht bloot. Zorg voor bescherming tegen de zon met behulp van bijvoorbeeld een zonnescherm, tent, voortent of tuinpaviljoen.**
- Het is mogelijk de spa buiten te plaatsen indien de temperatuur hoger is dan 4°C. De watertemperatuur in de spa, het circulatie systeem, en in de buizen dient hoger te zijn dan 4°C en mag niet bevroren zijn. Zorg ervoor dat er een temperatuur behoudende mat onder de spa ligt om te voorkomen dat er warmte verloren gaat via de bodem van de spa. Gebruik de jacuzzi niet als de omgevings- of watertemperatuur 4°C (39°F) of lager is.

Zet de spa met minstens twee personen op.

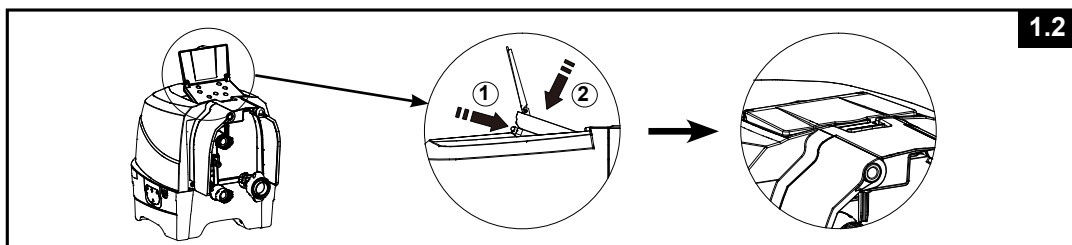
1. Verplaatst het gehele pakket naar de opzet locatie. Sleep het bad niet over de grond, dit kan voor beschadiging en lekkage zorgen. Open de doos voorzichtig, deze kan gebruikt worden om de spa in op te bergen wanneer deze niet gebruikt wordt.
2. Controleer of alle onderdelen aanwezig en onbeschadigd zijn. Indien er sprake is van missende of beschadigde onderdelen neemt u dan contact op met het service center welke verantwoordelijk is voor het land waarin u woonachtig bent. Deze informatie is te vinden in de lijst achterin de handleiding.

Bedieningspaneel voor jacuzzi aanpassen

1. Duw de hendel omlaag om het bedieningspaneel omhoog te brengen en klap de afdekkap omhoog (zie afbeelding 1.1).



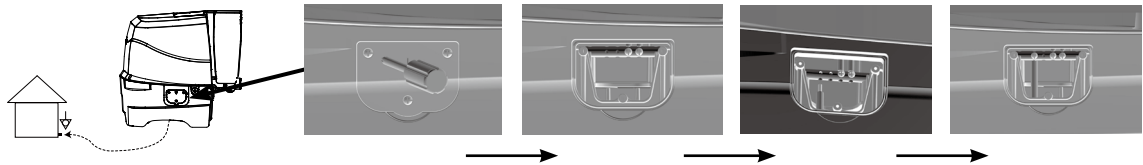
2. Om het bedieningspaneel op te bergen, duw de knop aan de achterkant naar binnen terwijl het bedieningspaneel omlaag wordt geduwd (zie afbeelding 1.2).



MONTAGE INSTRUCTIES (vervolg)

De regeleenheid van een aarding voorzien (optioneel)

Het is raadzaam een erkend elektricien te contacteren voor het als volgt aansluiten van de spa op een geaard stopcontact met behulp van solide koperen geleider van 2,5 mm² - 6 mm² (draad niet inbegrepen).



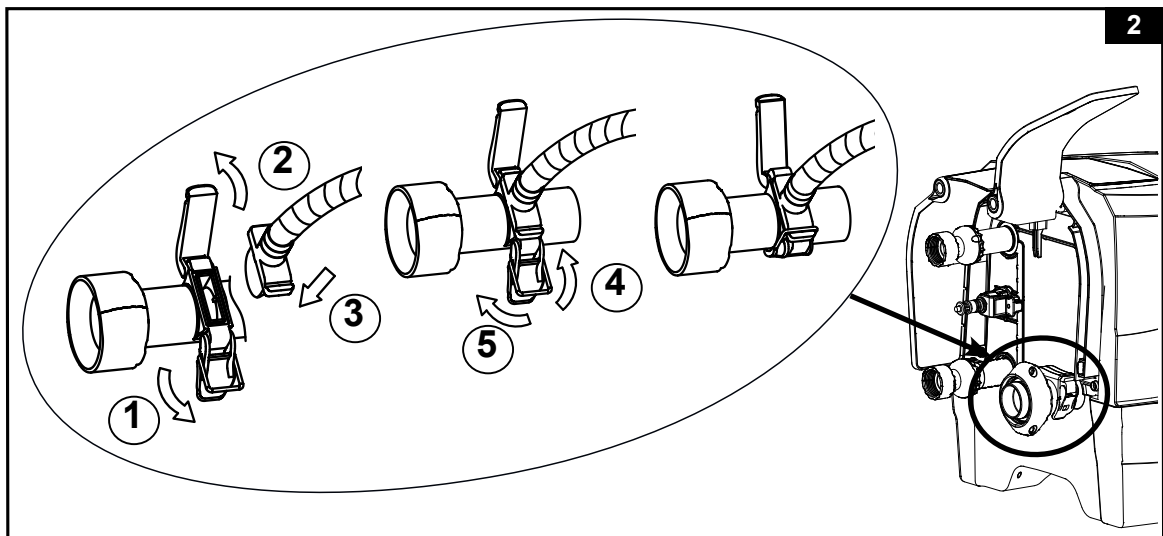
OPBLAZEN

Het opblazen van de wand van de Spa

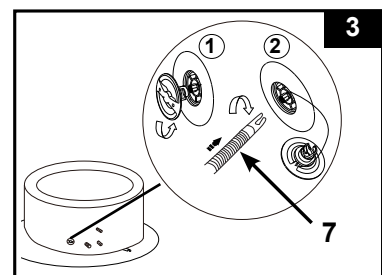
1. Neem het grondzeil en leg deze uit op de egale ondergrond waar de Spa moet komen te staan. Vouw vervolgens de Spa open op het grondzeil en zorg ervoor dat het uitloopventiel in de richting van een geschikte plaats om het water uit de Spa te laten wijst.

OPMERKING: Het grondzeil dient met de luchtbubbel naar beneden neergelegd te worden.


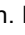

2. Klap het zijdeksel van de regeleenheid (4) omhoog om de opblaasinlaat van de luchtblazer te onthullen. Trek de grendel uit om de afdekkap te openen, breng de slangadapter (24) met de slang aan en maak de grendel vast aan de slangadapter om het stevig vast te zetten (zie afbeelding 2).

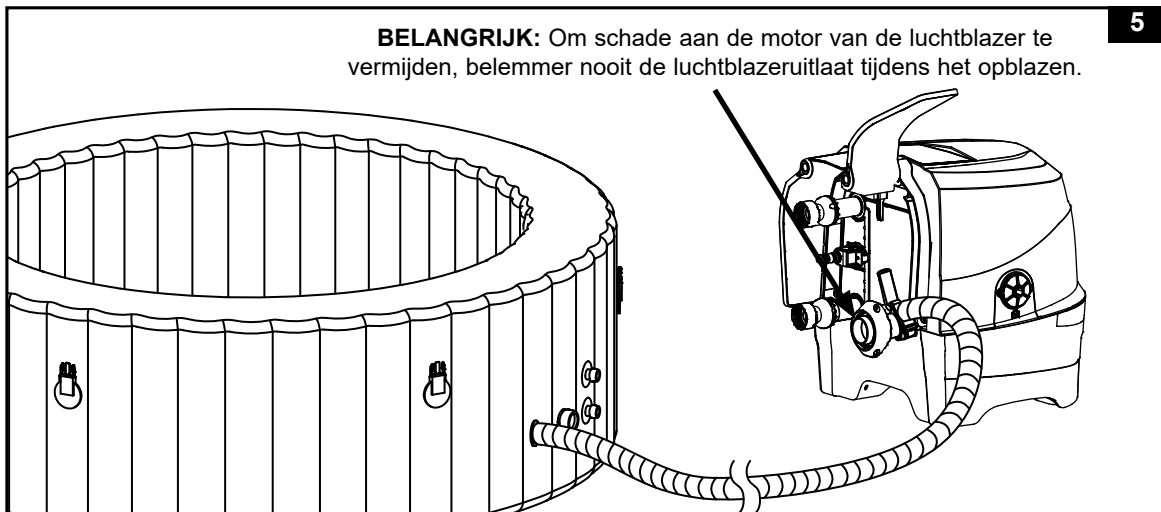
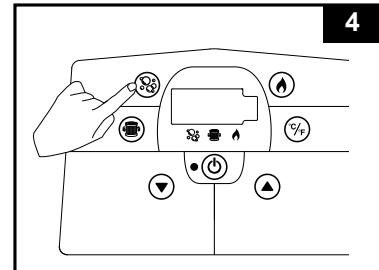


3. Schroef de dop van de luchtklep los om de stang in de 'omhoog' opblaaspositie te onthullen. Plaats het andere eind van de bijgeleverde luchtslang (7) in het ventiel en draai deze met de klok mee tot deze vastklikt (zie afbeelding 3).



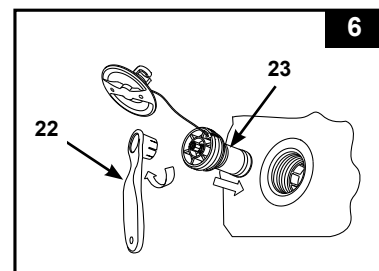
MONTAGE INSTRUCTIES (vervolg)

- Druk op de  knop om eerst de knoppen op het bedieningspaneel in te schakelen. Druk op de  knop om de wand van de jacuzzi gedurende 8 tot 10 minuten op te blazen tot wanneer het stevig, maar niet te hard, aanvoelt (zie afbeelding 4 & 5).
Belangrijk: blaas niet te hard op en gebruik geen hoge druk.
- Druk nogmaals op de  knop om uit te schakelen.

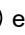


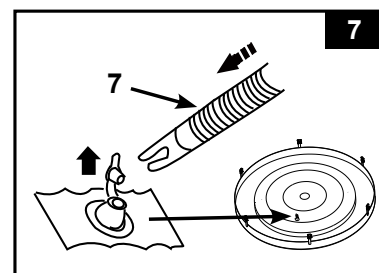
- Plaats de ventieldop terug.
Het is normaal dat er een minimale hoeveelheid lucht ontsnapt wanneer u dit doet. De dop is ontworpen om door middel van een draaibeweging gebruikt te worden, gebruik de dop op de juiste manier om schade te voorkomen.

NB: Indien bij slijtage van het ontluichtingsventiel er de behoefte is deze te vervangen, gebruik dan hiervoor de meegeleverde slieter (22) om de kern van de ventielvoet los te schroeven. Breng de reservekern aan en zet vast met behulp van de sleutel. Zorg ervoor dat de kern goed zit vastgedraaid (zie afbeelding 6).



Het opblazen van het afdekzeil

- Open het opblaasventiel en plaats de luchtslang (7) in het ventiel.
Druk op  en blaas op totdat het stevig voelt, blaas niet te hard op (zie afbeelding 7).
- Koppel de luchtslang (7) los van zowel het ventiel als de blazer.
- Plaats de dop terug op het bedieningspaneel. Sluit het ventiel door deze goed naar binnen te drukken.



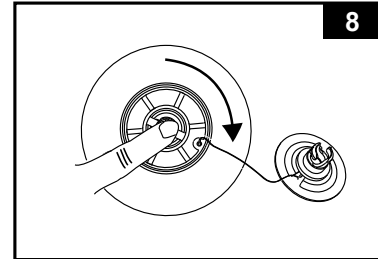
OPMERKING: Indien het na installatie van de Spa nog nodig is lucht bij te blazen raadpleeg dan voorgaande stappen. Afdekzeil met opblaasbare ring voor extra isolatie. Plaats eerst de opblaasbare ring in het afdekzeil alvorens deze op te blazen.

MONTAGE INSTRUCTIES (vervolg)

LEEG MAKEN SPA

Spa wand:

1. Draai de ventieldop eraf, duw het ventiel in en draai deze 90 graden met de klok mee om deze in de leegloopstand te zetten (zie afbeelding 8).
2. Draai het ventiel weer terug zodra de lucht uit de Spa is.
3. Plaats de ventieldop terug op het ventiel.
NB: Om de spa te laten leeglopen voor opslag, zie het hoofdstuk over de "OPSLAG".



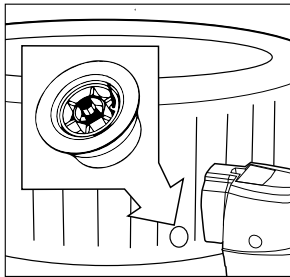
Het afdekzeil

1. Trek de ventieldop eruit en duw het ventiel in zodat de lucht eruit kan.
2. Sluit het ventiel af.

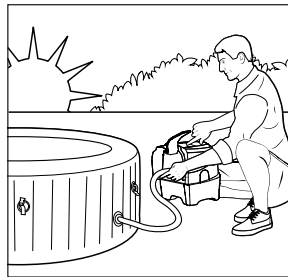


BELANGRIJK

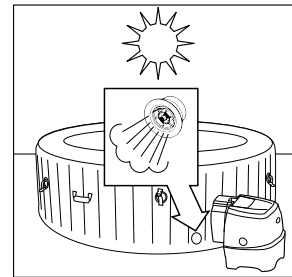
Uw jacuzzi is voorzien van het nieuwe "ontluchtingsventiel" dat automatisch overtollige lucht afgeeft wanneer de druk binnenin de jacuzzi tussen 1,5 – 2,5 psi (0,103 – 0,172 bar) is, terwijl de originele opblaas- en leegloopfuncties worden behouden.



Ontluchtingsventiel.



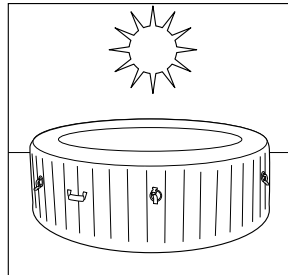
Blaas de Spa in de ochtend op.



Lucht zet uit in de middaghitte (door warmte). Ontluchtingsventiel laat het overtollige lucht vrij.

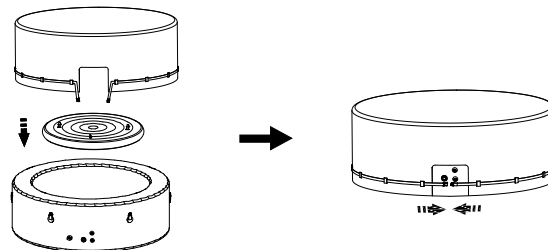


Koudere temperaturen 's nachts zorgen ervoor dat de Spatub minder opgeblazen lijkt.



Lucht zet zich uit tijdens de middagwarmte en de correcte luchtdruk wordt hersteld.

Voor #28476:

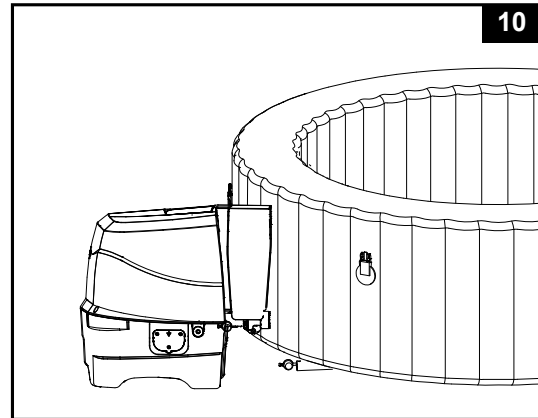
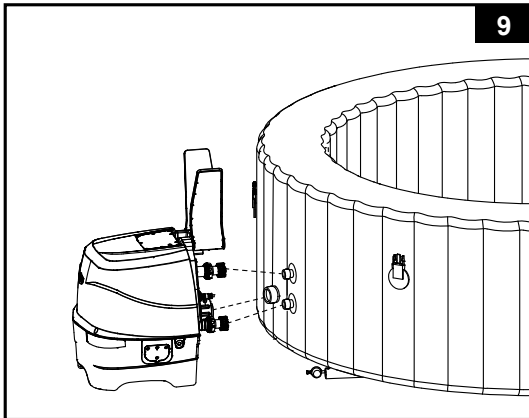


NB: Als de luchtblaas van het afdekzeil niet in de jacuzzi past omdat het overmatig is opgeblazen, verwijder wat lucht uit de luchtblaas totdat het past.

MONTAGE INSTRUCTIES (vervolg)

Installatie controle unit

- Sluit de controle unit aan op de wand van de Spa (zie afbeelding 9), draai de aansluitingen stevig met de hand vast, gebruik geen gereedschap.
NB: Maak nooit externe accessoires, die niet met de kit zijn meegeleverd, vast aan de jacuzzi of de regelenheid, dit maakt de garantie ongeldig.
- Breng de zijkappen (4) van de regelenheid terug (zie afbeelding 10).
Let op: laat niets of niemand op de controle unit zitten, erop leunen of deze afdekken.



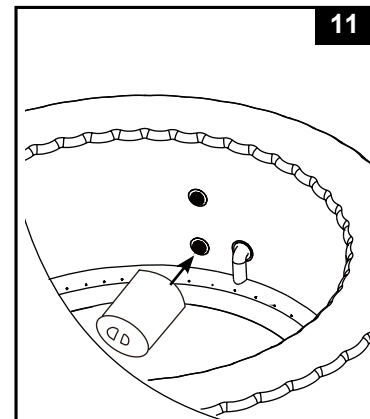
- Plaats de behuizing van de filter aan de binnenkant van de Spa op de onderste uitlaat (zie afbeelding 11). Blaas de spa op alvorens de filterpomp aan te sluiten.
- Alvorens u begint met vullen van de spa dient u te controleren of alle uitloopventielen goed gesloten zijn.
- Vul de Spa met kraanwater en houdt u aan het minimaal en maximaal aangegeven waterniveau in de Spa. Probeer de spa of controle unit nooit te verplaatsen zodra deze gevuld is met water om beschadigingen te voorkomen.

Waarschuwing: Voeg nooit water warmer dan 40°C toe. Het is wel aan te raden de Spa met lauw water te vullen voor een snellere opwarming.

- Plaats het afdekzeil over de Spa en maak deze goed vast met de daarvoor bedoelde klemmen, vergierend deze zodra ze goed vast zitten met de meegeleverde sleutel.

BELANGRIJK: Inspecteer het afdekzeil regelmatig op lekken, vroegtijdige slijtage of schade. Gebruik het afdekzeil nooit als deze beschadigd is.

- Zorg dat de basis van de jacuzzi op een gepast elektrisch stopcontact is aangesloten en druk op de Ⓢ knop om het bedieningspaneel in te schakelen. Druk op de 🔥 knop op het bedieningspaneel om het verwarmingstoestel te activeren, zie de sectie "Bedieningspaneel van jacuzzi".



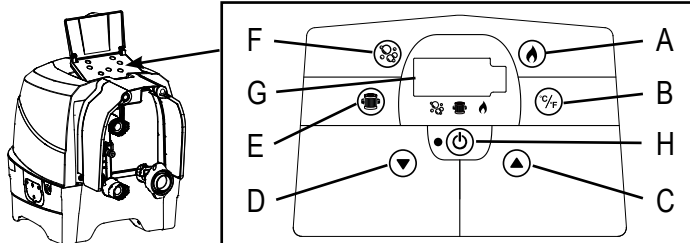
Afdekzeil

De gespen aan het afdekzeil zijn bedoeld om het zeil op slot te zetten. Er worden twee sleutels meegeleverd in de plastic zak met de handleiding en andere accessoires. Om het gebruik te vergemakkelijken zijn alle gespen voorzien van "dicht" en "open" symbolen; plaats de sleutel in het slot van de gesp en draai deze de juiste richting in om op of van slot te zetten. Om veiligheid te waarborgen dient u er altijd voor te zorgen dat het afdekzeil gebruikt en afgesloten wordt indien de SPA niet in gebruik is. Houdt de sleutels buiten bereik van kinderen. Indien u de sleutels kwijt geraakt bent kunt u een platkop schroevendraaier gebruiken om de gespen te openen of te sluiten.

Wanneer de spa wordt gebruikt, moet de hoes op een schoon, droog gedeelte worden geplaatst, anders kan het vuil en bacteriën opnemen. De afdekking mag niet op houten tafels of houten terrasplanken worden geplaatst vanwege het risico op verkleuren van het hout. Een tilhulp voor de afdekking, ondersteuning of vergelijkbaar apparaat wordt aanbevolen om ervoor te zorgen dat de afdekking, in principe de zijde die naar het water is gericht, niet in contact komt met de grond of andere verontreinigde oppervlakken.

IN GEBRUIK NEMEN

SPA CONTROLE UNIT PANEEL



- A: Verwarmingsknop
- B: Celsius/Fahrenheit schakelaar
- C: Knop om temperatuur te verhogen
- D: Knop om temperatuur te verlagen
- E: knop voor filtersysteem
- F: Knop voor luchtballen
- G: LED scherm
- H: Knop voor Uit/Aan



Knop voor Uit/Aan: Zodra de stekker in het stopcontact zit, gebruik deze knop dan om het paneel aan te zetten en de andere knoppen te activeren. Het groene lampje brandt indien het paneel geactiveerd is. Gebruik dezelfde knop om het paneel te deactiveren.

LET OP: De aan/uit knop kan als een zwarte knop in het midden van het bedieningspaneel verschijnen.



Verwarmingsknop: Gebruik deze knop om het verwarmingssysteem in te schakelen. De pomp verwarmt het water totdat de ingestelde temperatuur is bereikt. Als de temperatuur van het water in de spa 1-2°C (1,8-3,6°F) onder de ingestelde temperatuur zakt, wordt het verwarmingssysteem opnieuw gestart. Als het vlam pictogram op het display rood brandt, is het verwarmingssysteem geactiveerd. Als de vlam groen wordt, heeft het water de ingestelde temperatuur bereikt. Het verwarmingssysteem bevindt zich in de ruststand, terwijl het filtratiesysteem continu blijft werken.

LET OP: Om het filtratiesysteem te stoppen terwijl het verwarmingstoestel zich in de ruststand bevindt, druk eerst op de vlamknop en vervolgens op de filterknop. Als u enkel op de vlamknop drukt terwijl het verwarmingstoestel zich in de ruststand bevindt, dan wordt enkel het verwarmingssysteem uitgeschakeld en blijft het filtratiesysteem gedurende 24 uur ingeschakeld alvorens het automatisch wordt uitgeschakeld.

BELANGRIJK: De volgende omstandigheden leiden ertoe dat het water langzaam wordt opgewarmd.

- De omgevingstemperatuur is lager dan 10°C (50°F).
- De wind buitenshuis is hoger dan 3,5-5,4 m/s (8-12 mph).
- De luchtballenfunctie is geactiveerd wanneer het water wordt opgewarmd.
- Het afdekzeil zit niet of niet goed over de Spa tijdens het opwarmen.



Celsius/Fahrenheit schakelaar

De temperatuur kan in Fahrenheit of in Celsius worden getoond. Het systeem staat standaard op Celsius.

LET OP: De temperatuur is standaard ingesteld op 20°C (68°F). De temperatuur kan worden afgesteld van 20°C (68°F) tot 40°C (104°F).



Knoppen voor de temperatuurregeling: Als u op de toetsen Temperatuur omhoog of Temperatuur omlaag drukt, gaat het display knipperen. Tijdens het knipperen kunt u de gewenste temperatuur instellen. Als u de toetsen inhoudt stijgt of daalt de watertemperatuur snel. De aangepaste temperatuur blijft 5 seconden zichtbaar op het LED scherm ter bevestiging.



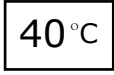
Knop voor filtersysteem:

Deze toets zet de filterpomp aan en uit. Als het verwarmingssysteem is ingeschakeld, start het filtratiesysteem automatisch – dit is normaal. Het groene lampje boven de knop voor het filtersysteem zal branden indien deze ingeschakeld is.



Knop voor luchtballen: gebruik deze knop om het massagesysteem te activeren, deze slaat automatisch af na 30 minuten. het groene lampje boven de knop voor luchtballen zal branden indien deze ingeschakeld is.

VOORZICHTIGHEID: gebruik de knop voor luchtballen nooit indien de spa afgedekt is, lucht kan zich dan ophopen en voor onomkeerbare schade zorgen.



LED scherm: Als het apparaat aanstaat, toont het LED scherm automatisch de watertemperatuur.


LET OP: het ingebouwde hard-water systeem wordt automatisch geactiveerd bij gebruik van het filtratiesysteem.



WAARSCHUWING

Gebruik de spa **NOOIT** als de aangegeven watertemperatuur hoger dan 40°C (104°F) is.

LED-CODE TABEL

LED-code	OORZAAK	OPLOSSING
E90	Geen waterstroom	<ul style="list-style-type: none"> • Zet de Spa uit en verwijder de stekker uit het stopcontact. • Controleer of er geen vuil in de uitlaat zit. • Reinig of vervang de filter, zie "onderhoud". • Zorg ervoor dat de in- en uitlaat van de Spa en de filterpomp niet verstopt zijn. • Houd het water in de spa goed schoon voor een schoon en niet verstopt filterpatroon. • Neem contact op met Intex Service.
E94	Watertemperatuur te laag	<ul style="list-style-type: none"> • De temperatuur in de omgeving is onder de 4°C en het is raadzaam de spa of pomp niet te gebruiken. • Zet de Spa uit en verwijder de stekker uit het stopcontact, Voeg een hoeveelheid warm water toe om de temperatuur van het water in de spa boven 5°C (41°F) te brengen. Druk vervolgens op de  knop om het water naar de gewenste temperatuur te verwarmen. • Neem contact op met Intex Service.
E95	Watertemperatuur te hoog	<ul style="list-style-type: none"> • Zet de Spa uit en verwijder de stekker uit het stopcontact. Wanneer het water afgekoeld is kunt u opnieuw starten. • Schakel het verwarmingstoestel uit en druk vervolgens op de filter- en sproeierknoppen om de watertemperatuur te laten zakken. • Neem contact op met Intex Service.
E96	Systeem fout	<ul style="list-style-type: none"> • Zet de Spa uit en verwijder de stekker uit het stopcontact. Sluit de RCD aan en start opnieuw. • Neem contact op met Intex Service.
E97	Beveiliging tegen een droge werking	<ul style="list-style-type: none"> • Neem contact op met Intex Service.
E99	Watertemperatuursensor is stuk	<ul style="list-style-type: none"> • Neem contact op met Intex Service.
END	Na 72 uur van constante verwarming zal de slaapstand automatisch ingeschakeld worden, de snelle opwarming en filtratie zijn dan uitgeschakeld.	<ul style="list-style-type: none"> • Druk op de waterfilterknop om de filterpomp nogmaals te activeren.

ADVIES VOOR HET MINIMALISEREN VAN WARMTEVERLIES EN ENERGIEVERBRUIK

- 1) Plaats de afdekking altijd op de spa om warmteverlies tijdens het verwarmen van de spa tussen het gebruik te minimaliseren (maar niet tijdens gebruik). Zorg ervoor dat de afdekking stevig is gemonteerd, volgens de instructies van de fabrikant om de isolatie te maximaliseren. Het wordt aanbevolen om de afdekking, wanneer deze niet wordt gebruikt, niet op de grond wordt geplaatst om hem niet te verontreinigen (met name het oppervlak dat in de buurt van het wateroppervlak is). De hoes moet op een geschikte plek worden bewaard, waar deze niet kan worden beschadigd of schade kan veroorzaken.
- 2) Controleer de ingestelde watertemperatuur en overweeg deze te verlagen gedurende de tijd dat de spa normaal gesproken niet in gebruik is.
- 3) Overweeg, afhankelijk van de externe omstandigheden, om de verwarming helemaal uit te schakelen als u de spa gedurende langere tijd niet gebruikt (als de spa deze optie biedt, maar nog steeds resterende desinfectie/pH-waarden onderhoudt).
- 4) Overweeg dat het comfortabele temperatuurbereik tijdens het gebruik mogelijk lager is dan de maximale veilige temperatuur.
- 5) Gebruik het meegeleverde isolerende grondzeil onder de spa om warmteverlies via de onderkant van de spa te minimaliseren.
- 6) Houd de filters schoon om de juiste werkomstandigheden voor de pomp te behouden en voorkom onnodige vervanging en hernieuwde verwarming van water.

ONDERHOUD**⚠ WAARSCHUWING**

Haal de stekker uit het stopcontact alvorens u onderhoud aan de spa pleegt.

Water onderhoud

Het water in de spa dient regelmatig gecontroleerd en onderhouden te worden (dagelijks indien nodig). Het toevoegen van chemicaliën voorkomt vorming van bacteriën en algen in het water. Het onderhouden van de juiste waarden in het water door middel van chemicaliën is minstens zo belangrijk voor de levensduur van de spa als het onderhouden van de spa zelf. De juiste chemicaliën en het gebruik hiervan zijn uiterst belangrijk voor de levensduur van de spa maar ook voor de gezondheid van de gebruiker.

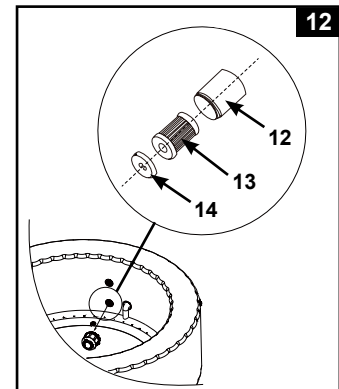
WAARSCHUWING: VOLG ALTIJD DE INSTRUCTIES VAN DE FABRIKANT VAN DE CHEMICALIËN OP EN LET OP DE VOORSCHRIFTEN BETREFT GEZONDHEID.

Voeg geen chemicaliën toe als er zich personen in het spa-bad bevinden. Dit kan huid- en oogirritaties veroorzaken. Het toevoegen van geconcentreerd chloor kan schadelijk zijn voor de spa en de gebruikers hiervan. In geen enkel geval zijn Intex Recreation Corp., Intex Development Co. Ltd., Intex Trading B.V., noch gelieerde bedrijven, agenten, service centers, wederverkopers en medewerkers verantwoordelijk jegens de koper of een derde voor het verloren gaan van water en/of chemicaliën of voor schade, ontstaan door het opzetten en/of gebruik van de spa.

Onderhoud van het water en het filter

Bescherm de gebruikers van de spa tegen ziektes veroorzaakt door water door het water en zorg ervoor dat het water goed onderhouden wordt. Zorg altijd voor de juiste hygiëne. Om zeker te zijn van water van goede kwaliteit kunt u onderstaande instructies volgen:

1. Controleer en reinig het filter elke dag en vervang het filter om de 3 dagen.
 - a. Schroef de behuizing van het filter los van de wand en haal het filter eruit (zie afbeelding 12).
 - b. Gebruik de tuinslang om het filter schoon te spoelen. Indien het filter vuil en anders van kleur blijft dient deze te worden vervangen. Zorg dat u extra filters op voorraad hebt.
 - c. Plaats het filter terug in de behuizing en plaats deze daarna terug op de wand van de spa.
2. Ververs het water elke 2 weken. Zie "leeg maken spa" en "schoonmaken spa" voor verdere details.
3. Gebruik zwembad chemicaliën voor de juiste waarden in het water. Beschadiging aan de spa ten gevolge van het verkeerd gebruiken van chemicaliën of verkeerd water valt niet onder garantie.
4. Douche alvorens u gebruik maakt van de spa.

**Waarden van het water**

De pH-waarde van het water dient tussen de 6,8 en 7,6 te liggen, de alkaliniteit tussen 60 en 120 ppm en het vrije chloor tussen 2 en 4 ppm.


De test strips kunnen "chloor", "pH", "alkaliniteit" en "calcium hardheid" meten:

1. Houdt de strip kort in zijn geheel in het water.
 2. Sla het water niet van de strip af en wacht ongeveer 15 seconden.
 3. Vergelijk de strip met de kleurentabel op de verpakking en pas de waarden in het water aan indien nodig.
- Let op:** controleer de houdbaarheidsdatum op de verpakking, de resultaten kunnen afwijkend zijn als deze is verlopen.

Een lage pH-waarde beschadigt de spa en de pomp. Schade door verkeerde waarden vallen niet onder garantie.

Gebruik de meegeleverde chloordrijver (chloortablet mag niet groter dan 2,5 cm in diameter zijn) om het chloor in het water op te laten lossen. Plaats 1 tablet in de dispenser. Volg altijd de door de fabrikant aangegeven gebruiksinstructies. Haal de drijver uit het water tijdens het gebruik van de spa.

Spoel alle leidingen met behandeld water door, door de bellen-functie een uur per dag in te schakelen.

Belangrijk: gebruik de  knop op de controle unit om de chemicaliën goed met het water te laten mengen en op te lossen.

Mix chemicaliën nooit met elkaar. Voeg de chemicaliën apart van elkaar aan het water toe, laat ieder product eerst oplossen alvorens er een volgend toegevoegd wordt.

CHEMISCHE WAARDEN VAN HET WATER EN DE BALANS HIERVAN

Parameter	Waarden ^a
Waterhelderheid	Duidelijk zicht van de bodem
Totaal alkalisch vermogen (TA) in mg/l	60 - 120
Calcium hardheid (CaCO ₃) in mg/l	150 - 250
Kleur van het water	er mag geen kleur worden waargenomen ^{b, c}
Troebelheid in FNU/NTU	max. 1.5 (bij voorkeur minder dan 0,5)
Nitratconcentratie boven dat van het vulwater in mg/l	max. verschil van 20 in vergelijking met de concentratie van het vulwater
Totaal organisch koolstof (TOC) in mg/l ^d	max. 4.0
Redoxpotentiaal tegen Ag/AgCl 3,5 m KCl in mV	min. 650
pH waarde ^{e, f}	6.8 - 7.6
Vrij werkzaam chloor (zonder cyanuurzuur) in mg/l	0.3 - 1.5 ^g
Broom in mg/l	2.0 - 4.0 ^h
Als alternatieve ontsmettingsmiddelen worden gebruikt, kunnen andere gepaste parameters worden beschouwd	
<p>a Raadpleeg de nationale voorschriften en richtlijnen voor eventuele afwijkingen.</p> <p>b Natuurlijke waterbronnen kunnen waterkleuring veroorzaken.</p> <p>c Opzettelijke waterverkleuring wordt buiten acht gelaten.</p> <p>d Wanneer organische stoffen worden gebruikt, kunnen deze waarden hoger zijn.</p> <p>e Onderhevig aan de gebruikte flocculant(en) (indien van toepassing).</p> <p>f Wanneer de pH groter is dan 7,5, is het vrije actieve chloor minder dan 50%.</p> <p>g De doorgaans aanbevolen concentratie van vrij chloor in aquatische omgevingen is 0,3 tot 1,5 mg/l. Om echter voor waterhygiëne te zorgen in de spa-omgeving waar het water wordt verwarmd en de waterhoeveelheid/gebruikersverhouding laag is, is het acceptabel om deze concentratie tijdelijk door een handmatige dosering te overschrijden; voorwaarde hiervoor is echter dat de gezondheid van de gebruiker niet wordt aangetast. Daarom is een bereik van 2,0 tot 4,0 mg/l aanvaardbaar zoals ook wordt aanbevolen door het Amerikaanse Environmental Protection Agency en het Centre for Disease Control. Gebruik geen cyanuurzuur.</p> <p>h Tijdelijke overschrijding als gevolg van handmatige dosering en een laag watervolume in verhouding tot de gebruikersratio is aanvaardbaar; voorwaarde hiervoor is echter dat de gezondheid van de gebruiker niet wordt aangetast.</p>	

Besteed bijzondere aandacht aan de chemische behandeling van het water, met speciale aandacht voor de grenzen van het desinfectiemiddel en de regeling van de pH-waarden. Het gebruik van ozon of UV, waar van toepassing, moet altijd vergezeld gaan van restdesinfectie met een oxiderende biocide (bijv. chloor of broom of andere biocide producten, compatibel met de aanbevelingen van de fabrikant).

Onjuist gebruik van chemicaliën kan leiden tot degradatie, schade en andere onvolkomenheden van het spa-oppervlak en andere onderdelen van de spa (meestal verkleuring van materialen, corrosie van metalen onderdelen).

Vrij chloor: is het gehalte ongebonden chloor in het water.

Indien te laag – onvoldoende desinfectie gehalte.

Indien te hoog – sterke geur, huid en oog irritatie, gecorrodeerd metaal en andere materialen.

pH: waarde die aangeeft hoe zuur of basisch het water is.

Indien te laag – roestvorming op metaal, oog- en huidirritatie, afbraak van totaal alkalisch vermogen.

Indien te hoog – opbouw van calcium, troebel water, verkorte filter/verwarming cyclus, oog en huidirritatie, slechte chloor efficiëntie.

Totaal alkalisch vermogen (TA): Is de mate waarin water in staat is om de eigen pH waarde aan te passen. Wijzig dus altijd eerst het totaal alkalisch vermogen en dan pas de pH waarde.

Indien te laag – gecorrodeerde metalen, oog en huidirritatie. Een lage alkaline zorgt voor een instabiele pH waarde.

Indien te hoog – opbouw van calcium, troebel water, verkorte filter/verwarming cyclus, oog en huidirritatie, hoge vraag naar chloor.

CHEMISCHE WAARDEN VAN HET WATER EN DE BALANS HIERVAN (vervolg)

Calcium hardheid (CaCO₃): Is de opgeloste hoeveelheid calcium en magnesium in het water.

Indien te laag – Moeite met het op niveau brengen van de gehalten in het water, corrosie van metalen onderdelen, oog en huidirritatie en schuimend water.

Indien te hoog – Opbouw van calcium, troebel water, oog en huid irritatie, moeite met het op niveau brengen van de gehalten in het water en niet voldoende functioneren van het filter/de verwarming.

Saturatie Index (SI): temperatuur, calcium hardheid concentratie, totale alkaliteit en pH vormen de belangrijkste factoren die van invloed zijn op kalkvorming. De neiging van water om of aanslag of corrosie te vormen wordt aangegeven door de Saturatie Index (SI):

$$SI = pH + TF + CF + AF - 12.1$$

*TF = Temperatuur Factor; CF = Calciumhardheid Factor; AF = totale alkaliteit Factor

Water temperatuur		TF	Calcium (hardheid) (ppm)	CF	Totaal alkalisch vermogen (ppm)	AF
(°C)	(°F)					
8	46	0.2	75	1.5	50	1.7
12	54	0.3	100	1.6	75	1.9
16	61	0.4	150	1.8	100	2.0
19	66	0.5	200	1.9	150	2.2
24	75	0.6	250	2.0	200	2.3
29	84	0.7	300	2.1	300	2.5
34	93	0.8	400	2.2	400	2.6
40	104	0.9	500	2.3	--	--

Test de pH, temperatuur, calciumhardheid en totale alkaliteit niveaus. Gebruik de factoren in de SI vergelijking. SI = 0, Balans

Als SI > 0, aanslag of troebel water.

Als SI < 0, corrosie van metalen of oog en huid irritatie.

Het SI is op niveau wanneer de waarde tussen -0,3 en +0,3 zijn waarbij 0 perfect is.

Aanpassen van het water

Hoe je de waardes van het water aan moet passen wanneer deze niet meer op niveau zijn. **LET OP:** Volg altijd de aanwijzingen van de fabrikant van de chemicaliën, en de gezondheid en waarschuwingen.

Aanpassen van Alkaliteit

Verwijder het afdekzeil om het water te laten luchten en gebruik de meegeleverde teststrips om de waardes te controleren. Zorg er eerst voor dat het chloorgehalte in het water tussen de 2-4 ppm ligt daar chloor het Alkaliteit testresultaat zal beïnvloeden.

Als het TA-niveau (en niet de pH) hoger is dan 120 ppm, voeg dan een geschikt chemisch product toe om het TA-niveau te verlagen.

Als het TA-niveau lager is dan 60 ppm, voeg dan een geschikt chemisch product toe om het TA-niveau te verhogen.

LET OP: na aanpassingen test u het water na 24 uur nogmaals en indien nodig kunt u het verder aanpassen.

aanpassen van het PH

Nadat de totale alkaliteit is verlaagd tot 120 ppm of verhoogd tot 80 ppm en de pH nog steeds hoog of laag is, voeg dan een geschikt chemisch product toe om de pH-waarde in te stellen tussen 6,8 en 7,6.

Aanpassen van de hardheid van het water


Gebruik de meegeleverde teststrips om de hardheid van het water te controleren en pas deze aan met een geschikt chemisch product.

⚠ WAARSCHUWING

Wees voorzichtig met het gebruik van chemicaliën en draag extra persoonlijke beschermingsmiddelen waaronder een veiligheidsbril en handschoenen. Pas op met het spatten van zuur op uw huid, kleding of in uw ogen.

ONDERHOUD

Leeg maken spa

1. Zet de Spa uit.
2. Sluit een tuinslang aan op het waterafvoer verloopstuk en leid het uiteinde de tuinslang naar een geschikte plaats om het water weg te laten lopen.
3. Haal de dop van het uitlaatventiel aan de buitenkant van de spa eraf en sluit het waterafvoer verloopstuk aan op het uitlaatventiel (zie afbeelding 13).
4. Open vanuit de binnenkant van de Spa de dop van het uitlaatventiel, het water zal nu via de tuinslang weglopen.
5. Op het moment dat het water stopt met stromen dient de Spa aan de tegenovergestelde zijde van het uitlaatventiel omhoog gehouden te worden zodat de Spa geheel geleegd kan worden (zie afbeelding 14).
6. Plaats de luchtslang (7) in de uitlaat op de controle unit.
7. Zet de Spa aan en druk op de , richt de opblaas slang op de in-en uitlaat van de Spa en de controle unit om het overtollige water uit de leidingen te blazen (zie afbeelding 15 & 16).
8. Gebruik een schone theedoek om natte delen van de spa of de controle unit te drogen.
9. Zorg ervoor dat zowel de Spa als de controle unit helemaal droog zijn. Beide dienen aan de lucht gedroogd te worden alvorens ze opgeborgen worden.

OPMERKING: De meegeleverde pluggen (15) kunnen worden gebruikt om de waterinlaat- en wateruitlaatverbindingstukken vanaf de binnenkant van het spa-bad af te dekken om het uitstromen van water te voorkomen.

Schoonmaken van de spa

Indien het water zichtbaar vuil of melkachtig wordt en het is met chemicaliën niet meer helder te krijgen, vervang dan het water. Zie "leeg maken spa" voor verdere details.

Wanneer de spa leeg is, verwijder dan de behuizing van de filter aan de binnenzijde, reinig of verplaats de filter. Gebruik een spons met een mild schoonmaakmiddel om achtergebleven vuil of vlekken te verwijderen. Spoel de spa grondig na alvorens u er vers water in doet. **Let op:** gebruik geen staalwol, harde borstels of agressief schoonmaakmiddel.

Verwijdering van de biofilm

Raadpleeg uw lokale spa-specialist voor producten en adviezen voor het verwijderen van de biofilm.

Het ventiel vastmaken

Controleer het ventiel van de Spa op lekkage en luchtdichtheid. Indien er nog lucht uit het ventiel ontsnapt, gebruik dan de bijgeleverde sleutel (22) om het ventiel luchtdicht te krijgen. Volg onderstaande stappen:

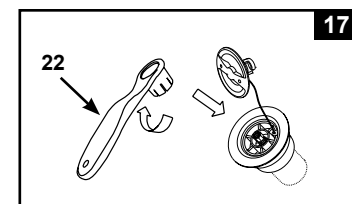
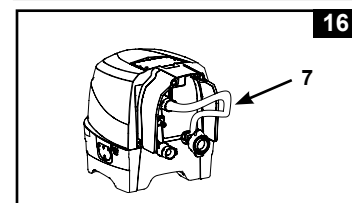
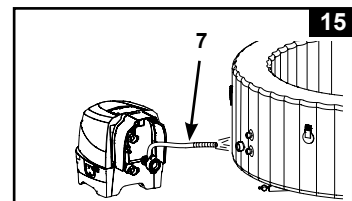
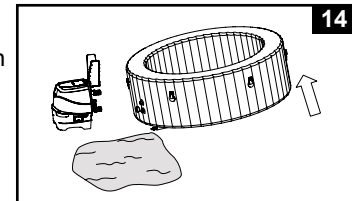
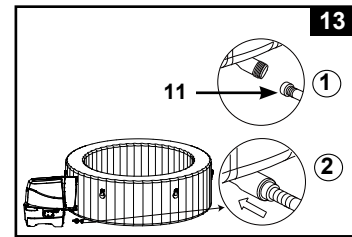
1. Zorg ervoor dat alle lucht uit de Spa is, open de ventieldop en plaats de sleutel in het ventiel (zie afbeelding 17).
2. Houdt de achterzijde van het ventiel met één hand vast en draai de sleutel (22) met de klok mee.

BELANGRIJK: Draai het ventiel nooit losser of vaster indien er water in de spa zit. Voor het aandraaien van het luchtventiel maakt u enkel gebruik van de bijgeleverde moersleutel. Draai deze niet te hard aan dit zou kunnen resulteren in een beschadigd ventiel.

Afdekzeil

Inspecteer het afdekzeil regelmatig op lekken, vroegtijdige slijtage of schade. Gebruik nooit een versleten of beschadigd afdekzeil: deze levert niet het beschermingsniveau die nodig is om een ongecontroleerde toegang tot de spa door een kind te vermijden.

Reinig regelmatig de afdekking aan de binnen- en buitenkant met een spons en een geschikte oplossing met een adequate desinfectie (10 mg per liter vrij chloor). Gebruik geen staalwol, harde borstels of schurende reinigingsmiddelen.



ONDERHOUD (vervolg)

Omgeving van de spa

Gebieden waar u op blote voeten loopt en ontspanningsruimtes rond de spa moeten op een regelmatige basis worden gereinigd. Er kan geen reinigingswater in de spa- of spa-watercyclus terecht komen. Het vuil en de schoonmaakmiddelen moeten zorgvuldig worden weggespoeld om de spa-omgeving weer schoon te krijgen.

Reparatie van de spa of het afdekzeil

Gebruik het bijgeleverde reparatievel om een gaatje of lek te repareren:

- Reinig en droog het te repareren deel grondig.
- Verwijder de achterkant en duw het vel stevig op het lek. Zorg ervoor dat er geen luchtbellens onder het vel zitten.

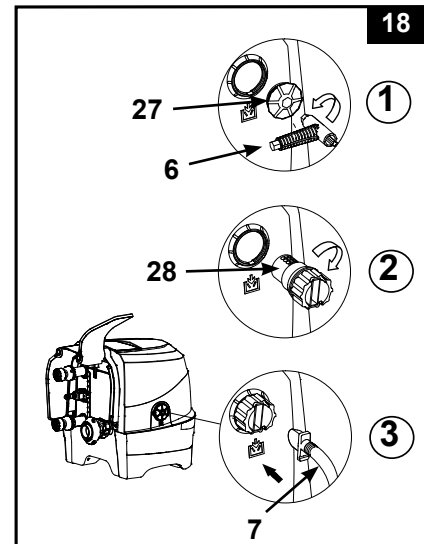
WINTERKLAAR MAKEN

In gebieden waar het kan vriezen, dient u de spa en de onderdelen ervan leeg te laten lopen, te reinigen en correct op te bergen als de temperatuur tot onder 4°C (39°F) daalt.

1. Leeg de spa volgens "leeg maken spa" en "schoonmaken van de spa".
2. Voer de instructies omgekeerd uit om het spa-bad, de regeleenheid en de luchtblaas van het afdekzeil leeg te laten lopen en uit elkaar te halen.
3. Het leeglaten van de Spa en het opblaasbare afdekzeil:
 - a) Open de dop op de uitlaat (27) met behulp van de moersleutel (6) (zie afbeelding 18).
 - b) Plaats de adapter (28) voor de slang in de uitlaat.
 - c) Plaats de slang (7) over de adapter voor de slang (28).
 - d) Plaats het andere einde van de slang in het ventiel van de Spa of van het opblaasbare afdekzeil.
 - e) Druk op de knop voor luchtbellens om leeg te laten.
 - f) Zodra beide leeg zijn herhaal dan de stappen in omgekeerde volgorde en zorg ervoor dat de dop op de uitlaat (27) goed vast gedraaid wordt.

Opgelet: Gebruik alleen zoals aangegeven in deze handleiding. Houd de opblaasslang uit de buurt van water of kleine voorwerpen wanneer de leegloopfunctie geactiveerd is om schade aan de ventilatormotor te voorkomen.

4. Alle componenten en accessoires van de spa dienen helemaal droog te zijn alvorens deze worden opgeslagen. Laat minstens 1 uur aan de lucht drogen, enkel drogen met doeken is niet voldoende en is mogelijk schadelijk voor de Spa.
5. Vouw de Spa losjes op zonder scherpe hoeken om schade of lekkages te voorkomen.
6. Zorg ervoor dat u genoeg schone filters voorradig hebt voor het volgende gebruik.
7. Berg de jacuzzi en toebehoren op in een droge binnenruimte bij een temperatuur tussen 0° – 40°C (32° – 104°F).
8. Gebruik de originele verpakking om de Spa in op te bergen.



PROBLEMEN OPLOSSEN

PROBLEEM	OORZAAK	OPLOSSING
GEEN DISPLAY/ DE SPA CONTROL UNIT WERKT NIET	<ul style="list-style-type: none"> • De stekker zit niet in het stopcontact of het systeem staat uit. • Kabel van het paneel zit los. • Stroomstoring. • RCD geactiveerd. • RCD defect. 	<ul style="list-style-type: none"> • Controleer of de stekker van het spa in het stopcontact zit en het systeem aan staat. • Zorg ervoor dat de kabel van het paneel goed aangesloten is in de controle unit. • Controleer de stroombron. • Stel de RCD opnieuw in. • Neem contact op met Intex Service.
DE STOPPEN ZIJN DOORGESLAGEN	<ul style="list-style-type: none"> • Zekering met te laag Ampère. • Zekering overbelast. • Storing in de bedrading. 	<ul style="list-style-type: none"> • Gebruik een zekering van 16A. • Sluit de Spa op een aparte groep aan, zorg ervoor dat de Spa het enige aangesloten apparaat is op deze groep. • Neem contact op met een elektricien.
DE POMP VERWARMT NIET GOED	<ul style="list-style-type: none"> • De temperatuur is te laag ingesteld. • Vuil filterpatroon. • De watertemperatuur is gezakt terwijl de heater in stand-by modus stond. • Storing verwarmingselement. 	<ul style="list-style-type: none"> • Verhoog de temperatuur en plaats het afdekzeil over de Spa heen. • Reinig/vervang het filterpatroon op tijd. • Als het verwarmingstoestel zich in STAND-BY bevindt, druk tweemaal op de vlamknop om het water naar de ingestelde temperatuur op te warmen. • Neem contact op met Intex Service.
LUCHTBLAZER WERKT NIET	<ul style="list-style-type: none"> • De pomp is te heet. 	<ul style="list-style-type: none"> • Zet de Spa uit en verwijder de stekker uit het stopcontact. Zodra de unit afgekoeld is kunt u opnieuw starten. • Neem contact op met Intex Service.
FILTERPOMP WERKT NIET	<ul style="list-style-type: none"> • Vuil filterpatroon. • In-of uitlaat is geblokkeerd. • Motor van de filterpomp werkt niet. 	<ul style="list-style-type: none"> • Reinig/vervang het filterpatroon op tijd. • Controleer en reinig de in-en uitlaat regelmatig. • Neem contact op met Intex Service.
WATERFILTRATIE WERKT NIET	<ul style="list-style-type: none"> • Filterbehuizing is niet correct geïnstalleerd. • Te korte filtratietijd. • Vuil filterpatroon. • Verkeerd onderhoud van het water. • In-en uitlaat geblokkeerd. 	<ul style="list-style-type: none"> • Controleer de installatie van de filterbehuizing. • Zorg voor voldoende filtratietijd. • Reinig of vervang het filterpatroon. • Houd het water in de spa goed schoon. Controleer de waarden van het water en pas deze aan indien nodig. • Controleer en reinig de in-en uitlaat regelmatig.
DE POMPADAPTERS STAAN NIET OP GELIJKE HOOGTE MET DE SPA- ADAPTERS	<ul style="list-style-type: none"> • Een eigenschap van PVC is dat deze van vorm wijzigt. Dit is normaal. 	<ul style="list-style-type: none"> • Verhoog de pomp met hout of een ander isolerend materiaal om de pompadapters op gelijke hoogte met de spa-adapters te brengen.
HET BAD HEEFT EEN RARE VORM	<ul style="list-style-type: none"> • Extra luchtdruk door felle zonlicht. 	<ul style="list-style-type: none"> • Stel de Spa niet voor een lange tijd aan direct zonlicht bloot. • Controleer de luchtdruk en voer indien nodig lucht af. Controleer tijdens hete temperaturen of het nodig is lucht af te voeren om mogelijke schade te voorkomen.

PROBLEMEN OPLOSSEN (vervolg)

PROBLEEM	OORZAAK	OPLOSSING
BAD VERLIEST LUCHTDRIK	<ul style="list-style-type: none"> Afsluitdop zit los. Binnenste gedeelte van ventiel zit los. Gat of scheur in het spa-bad. 	<ul style="list-style-type: none"> Zorg ervoor dat de dop goed vast gedraaid is. Blaas de Spa wederom helemaal op en zorg dat het binnenste gedeelte van het ventiel goed dichtgedraaid is met de bijgeleverde sleutel. Giet vloeibare zeep en water in een spuitfles en spuit ermee op de naden. Als er een lek aanwezig is, zullen er bellen verschijnen. Als een lek wordt waargenomen, maak de zone rond de lek schoon en droog, breng vervolgens de reparatiepleister die met uw spa is meegeleverd aan.
LEKKAGE TUSSEN DE SPA AANSLUITINGEN EN DE AANSLUITINGEN VOOR DE CONTROLE UNIT	<ul style="list-style-type: none"> De inlaat-/uitlaatverbindingen van de regeleenheid zijn niet juist vastgemaakt. De o-ring voor de inlaat/uitlaat van de regeleenheid ontbreekt. 	<ul style="list-style-type: none"> Maak de inlaat-en uitlaatverbindingen vast. Breng een laagje vaseline op de o-ring aan om deze waterdicht te maken. Verwijder het roostertje aan de binnenzijde van de Spa met behulp van een schroevendraaier en zorg ervoor dat de O-ring van de in-en uitlaat schoon, onbeschadigd en correct geplaatst is.
TIJDENS DE FILTRATIESTAND MAAKT DE SPA OPVALLEND VEEL GELUID	<ul style="list-style-type: none"> De controle unit is niet correct aangesloten op de Spa. De controle unit staat niet stabiel en/of waterpas. Filtermotor van de spa werkt niet. 	<ul style="list-style-type: none"> Zorg ervoor dat alle componenten van de controle unit correct zijn aangesloten. Zorg ervoor dat de ondergrond egaal en waterpas is. Vervang de defecte filtermotor door een nieuwe.
LUCHTDRIK IS ZWAK TIJDENS HET OPBLAZEN	<ul style="list-style-type: none"> O-ring van slangadapter ontbreekt. Opblaasslangadapter is niet goed vastgemaakt. Aansluiting tussen de slangadapter en de opblaasuitlaat van de blazer, en tussen de opblaasslang en het opblaasventiel zitten los. Defecte luchtblazer. 	<ul style="list-style-type: none"> Zorg dat de O-ring juist is aangebracht. Maak de slangadapter vast of breng opnieuw aan. Draai vingervast aan tijdens het opblazen. Neem contact op met Intex Service.
LUCHTBELLEN ZIJN NIET ZO STERK ALS VOORHEEN	<ul style="list-style-type: none"> O-ring ontbreekt tussen de luchtuitlaat van de regeleenheid en de luchtinlaataansluitingen van de jacuzzi. Luchtaansluitingsmoer is niet stevig vastgedraaid. Luchtbellenkanaal binnen de jacuzzi is stuk of lekt. Defecte luchtblazer. 	<ul style="list-style-type: none"> Zorg dat de O-ring juist is aangebracht. Draai alle moeren vingervast aan. Gebruik de reparatiepatch om een scheur te repareren. Neem contact op met Intex Service.

BELANGRIJK

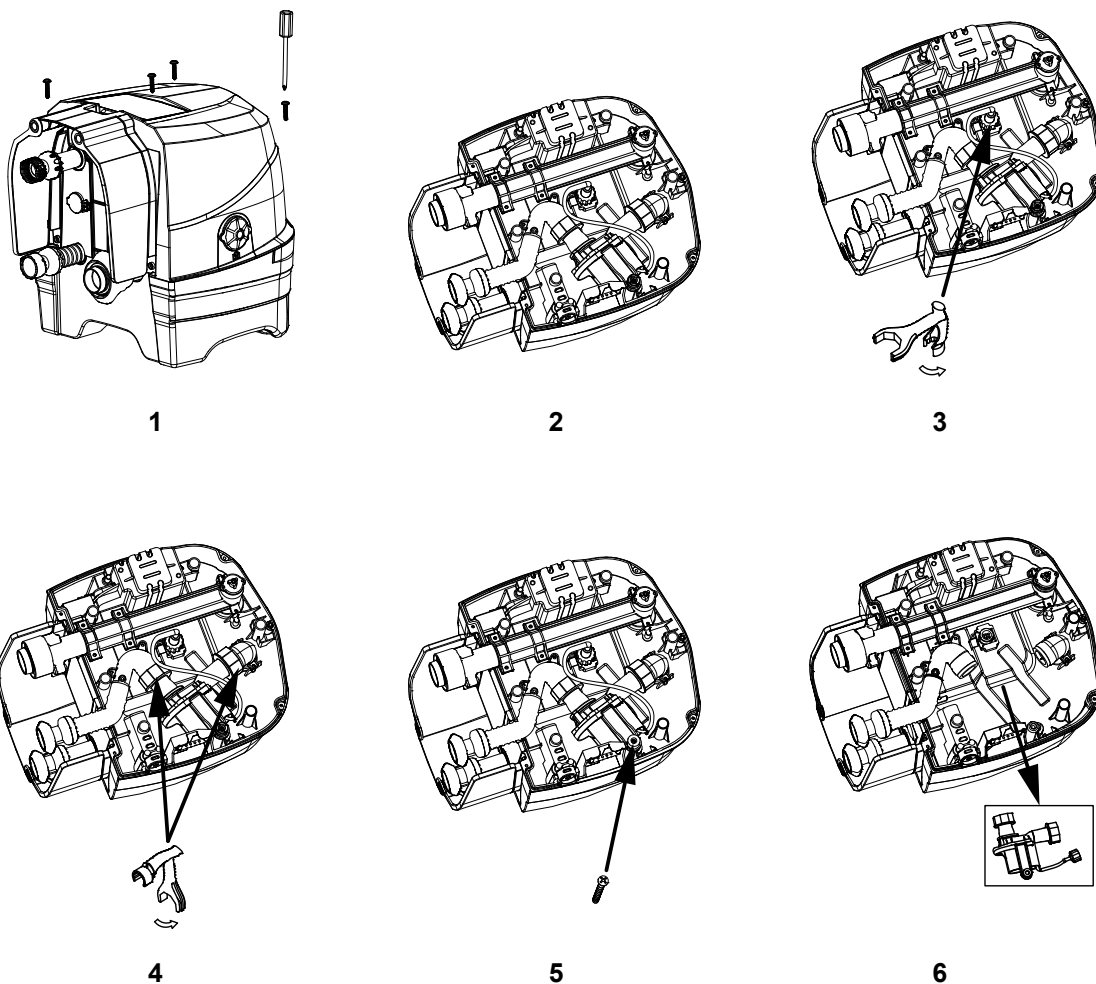
Als de problemen aanhouden, neem dan gerust contact op met onze Service afdeling. Zie de lijst met service centers.

MOTOR VOOR FILTERPOMP UIT ELKAAR HALEN

Als de filtermotor moet worden vervangen (alleen door een gekwalificeerde technicus), dient u de onderstaande stappen te volgen om hem te demonteren:

BELANGRIJK: U moet het resterende water uit de leidingen van de bedieningseenheid af laten lopen voordat u onderdelen vervangt.

Benodigd gereedschap: Eén verstelbare moersleutel & één kruiskop schroevendraaier.



NB: De "speciale moersleutel" is meegeleverd met de nieuwe reservemotor voor de filterpomp en niet met de jacuzzi.

VERKLARING VAN BEPERKTE GARANTIE

Uw PureSpa is geproduceerd met hoge kwaliteit materiaal en vakmanschap. Alle Intex producten zijn gecontroleerd en in orde bevonden vóór het verlaten van de fabriek. Alle Intex producten worden alvorens zij de fabriek verlaten uitvoerig geïnspecteerd op defecten.

Deze beperkte garantie wordt verstrekt als aanvulling op en zonder afbreuk te doen aan uw consumentenrechten. Indien deze garantie niet overeenkomt met een van uw wettelijke rechten, zullen de wettelijke rechten gelden.

De voorwaarden van deze Beperkte Garantie gelden slechts jegens de eerste eigenaar. Deze Beperkte Garantie is niet overdraagbaar en geldt gedurende 1 (één) jaar na aankoopdatum in de winkel. Bewaar uw originele aankoopbon bij deze handleiding, daar het aankoopbewijs dient te worden overgelegd ingeval van een klacht. Zonder aankoopbon is deze Beperkte Garantie niet geldig.

Garantie van de spa – 1 jaar

Indien er zich een productiefout binnen bovenstaande periode voordoet kunt u contact opnemen met het juiste service center, te vinden in de lijst met service centers. INTEX SERVICE zal de klacht met u bespreken en u eventueel vragen het artikel op te sturen voor inspectie. Indien er sprake is van garantie zal het product kosteloos gerepareerd worden of vervangen voor hetzelfde of een gelijkwaardig product (Intex bepalende factor).

Andere garanties dan deze en de wettelijk bepaalde rechten in uw land zijn niet van toepassing. Intex, haar agentschappen en/of medewerkers zijn onder geen enkele voorwaarde aansprakelijk jegens de koper of enige andere partij voor indirecte of vervolgschade veroorzaakt door de PureSpa van welke aard dan ook. Het is mogelijk dat sommige landen of rechtsgebieden de uitsluiting of beperking van aansprakelijkheid wegens bijkomende schade of gevolgschade niet toelaten. In dit geval zijn de bovenstaande uitsluitingen mogelijk niet van toepassing op u.

Deze beperkte garantie is niet van toepassing in onderstaande gevallen:

- Indien de PureSpa is onderworpen aan nalatigheid, abnormaal gebruik of toepassing, een ongeluk, onjuist gebruik, verkeerde spanning of voltage, ander gebruik dan in de handleiding beschreven staat en onjuist onderhoud of opslag;
- Indien de PureSpa onderhevig is aan schade veroorzaakt door omstandigheden buiten de macht van Intex, inclusief maar niet beperkt tot, normale slijtage en beschadiging veroorzaakt door blootstelling aan vuur, overstroming, vrieskou, regen en andere natuurkrachten;
- Als de PureSpa gebruikt wordt voor commerciële doeleinden;
- Op artikelen welke niet van het merk Intex zijn of Intex artikelen welke in combinatie met artikelen/onderdelen van een ander merk gebruikt worden; en/of
- Indien er aanpassingen, reparaties of demontage van de PureSpa zijn uitgevoerd door iemand anders dan een medewerker van Intex service.

Kosten van water, chemicaliën of waterschade worden niet door deze garantie gedekt. Tevens is de garantie niet van toepassing bij schade aan eigendommen of personen.

Lees de handleiding zorgvuldig voordat u het product gebruikt. Volg alle instructies nauwkeurig op voor het correct opzetten, afbreken en onderhouden van uw PureSpa. Inspecteer het product altijd alvorens u het in gebruik neemt. Als u de aanwijzingen niet opvolgt, kan de Beperkte Garantie vervallen.

Correct Disposal of this product

This marking indicates that this product should not be disposed with other household wastes throughout the EU. To prevent possible harm to the environment or human health from uncontrolled waste disposal, recycle it responsibly to promote the sustainable reuse of material resources. To return your used device, please use the return and collection systems or contact the retailer where the product was purchased. They can take this product for environmental safe recycling.



Elimination appropriée du produit

Ce symbole signifie que ce produit ne doit pas être jeté avec les autres déchets ménagers dans l'Union européenne. Pour éviter tout dommage potentiel pour l'environnement ou la santé humaine résultant d'un dépôt incontrôlé de ce déchet, le recycler afin de favoriser une réutilisation durable des ressources matérielles. Pour rapporter votre appareil usagé, merci d'utiliser les systèmes de retour et de collecte ou de contacter le détaillant qui vous a vendu ce produit.



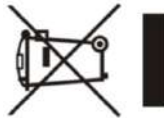
Deshacerse de los residuos de este producto

Esta etiqueta indica que este producto no podrá ser eliminado en la basura normal. Para prevenir posibles agresiones a la salud y al medio ambiente consulte donde deshacerse del producto según la normativa de su país. Para desechar el artículo utilice sistemas de reciclado o contacte con el minorista donde lo compró.



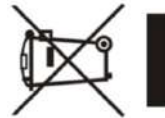
Korrekte Entsorgung dieses Produkts

Dieses Symbol bedeutet, dass dieses Produkt innerhalb der EU nicht über den Hausmüll entsorgt werden darf. Um mögliche Schäden für die Umwelt oder die menschliche Gesundheit infolge unkontrollierter Abfallentsorgung zu verhindern, recyceln Sie verantwortungsvoll, um eine nachhaltige Wiederverwendung von Materialressourcen zu fördern. Bitte entsorgen Sie Altgeräte deshalb über geeignete Sammelsysteme oder kontaktieren Sie den Händler, bei dem Sie das Produkt gekauft haben.



INFORMAZIONI AGLI UTENTI

Al sensi del Decreto Legislativo N° 49 del 14 Marzo 2014 "Attuazione della Direttiva 2012/19/UE sui rifiuti di apparecchiature elettriche ed elettroniche (RAEE)", il simbolo del cassonetto barrato riportato sull'apparecchiatura indica che il prodotto alla fine della propria vita utile deve essere raccolto separatamente dagli altri rifiuti. L'utente dovrà, pertanto, conferire l'apparecchiatura integra ai componenti essenziali giunta a fine vita agli idonei centri di raccolta differenziata dei rifiuti elettronici ed elettrotecnici, oppure riconsegnarla al rivenditore al momento dell'acquisto di nuova apparecchiatura di tipo equivalente, in regione di uno a uno, oppure 1 a zero per le apparecchiature aventi lato maggiore inferiore a 25 CM. L'adeguata raccolta differenziata per l'avvio successivo dell'apparecchiatura dimessa al riciclaggio, al trattamento e allo smaltimento ambientale contribuisce ad evitare possibili effetti negativi sull'ambiente e sulla salute e favorisce il riciclo dei materiali di cui è composta l'apparecchiatura. Lo smaltimento abusivo del prodotto da parte dell'utente comporta l'applicazione delle sanzioni amministrative di cui al D.Lgs n. Decreto Legislativo N° 49 del 14 Marzo 2014.



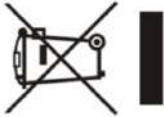
Correcte Verwijering van dit product

Deze markering duidt erop dat dit product niet kan worden verwijderd met andere huishoudelijk afval binnen de EU. Om mogelijke schade aan het milieu of de menselijke gezondheid door ongecontroleerde afvalverwijering te voorkomen, recycle deze op een verantwoordelijke manier om een houdbare hergebruik van materiële rijkdommen te stimuleren. Om uw gebruikte apparaat terug te brengen, gebruik de terugbreng- en verzamelpunten of neem contact op met de winkelier waar het product is aangekocht. Zij kunnen dit product terugnemen voor milieuvriendelijke recycling.



Eliminação correta deste produto

Esta marca indica que este produto não deveria ser descartado com outros aparelhos domésticos em toda UE. Prevenir possíveis danos ao ambiente ou a saúde humana do descarte, e material para promover responsávelmente o sustentável re-uso das fontes materiais. Devolva seu dispositivo usado, favor usar o sistema de coletas ou contate a loja onde o produto foi comprado. Eles podem levar este produto para reciclagem e para segura ambiental.



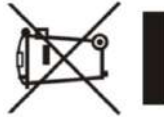
Korrekt bortskaffelse af dette produkt

Denne markering indikerer, at dette produkt ikke må bortskaffes sammen med anden husholdningsaffald inden for EU. For at forhindre evt. miljøskader eller personskader fra ukontrolleret affaldsbortskaffelse, genbrug affaldet ansvarligt for at fremme bæredygtig genbrug af materialeresourcer. For at returnere dit brugte apparat, brug venligst returnerings- og samlesystemer eller kontakt butikken hvor produktet er købt. De kan tage mod produktet til miljøvenlig genbrug.



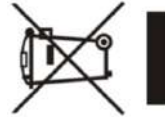
Właściwe pozycje się tego produktu

Ten symbol wskazuje, że ten produkt nie powinien być wyrzucany z innymi odpadami na terenie EU. Aby zapobiec możliwym szkodom dla środowiska czy ludzkiego zdrowia wynikającym z niekontrolowanego usuwania odpadów odzyskuj surowce wtórne odpowiedzialnie by promować zrównoważone ponowne użycie zasobów materiałnych. Jeżeli chcesz się pozbyć zużytego sprzętu udaj się do specjalnego punktu zbierania zużytego sprzętu lub skontaktuj się ze sklepem w którym produkt został zakupiony i o on przekaże zużyty sprzęt na bezpieczny recykling.



Правильная утилизация данного изделия

Данная маркировка указывает на то, что изделие не должно утилизироваться вместе с остальными бытовыми отходами по всему ЕС. Для предотвращения возможного причинения вреда окружающей среде или здоровью человека от неконтролируемой утилизации отходов подтвердите его обязательной рециркуляции для поддержания рационального повторного использования материальных ресурсов. Для рециркуляции вашего использованного устройства используйте системы рециркуляции и сбора или обратитесь в розничный магазин, в котором данное изделие было приобретено. Они могут принять данное изделие для проведения безопасной для окружающей среды рециркуляции.





INTEX

Don't forget to try these other fine Intex products: Pools, Pool Accessories, Inflatable Pools and In-Home Toys, Airbeds and Boats available at fine retailers or visit our website.

N'oubliez pas d'essayer les autres produits de la gamme Intex : piscines hors sol, accessoires de piscine, piscines gonflables, jouets d'intérieur gonflables, airbeds et bateaux. Ces produits sont disponibles chez les différents revendeurs ou sur notre site internet.

No se olvide de probar otros productos Intex: Piscinas, Accesorios para piscinas, Piscinas inflables, Juguetes, Camas de aire y barcas están disponibles en nuestros distribuidores o visitando nuestra página web.

Wenn Sie Lust verspüren noch andere Intex Produkte auszuprobieren, wie unser Pool-Zubehör oder die Luftbetten, sowie die Spielwaren oder die Boote , dann besuchen Sie uns doch einfach auf unserer Homepage unter www.steinbach.at, einige Produkte sind auch im Fachhandel erhältlich.

Non dimenticate di acquistare anche gli altri prodotti Intex: Le Piscine fuori terra, gli Accessori per piscine, le Piscine gonfiabili, I Prodotti In-Toyz, i Materassi gonfiabili Airbed e i Canotti sono prodotti Intex disponibili presso i rivenditori oppure visitando il sito Internet.

Probeer ook eens onze andere Intex producten, zoals: zwembad accessoires, opblaasbare zwembaden, speelgoed voor binnenshuis, luchtbedden en boten. Te verkrijgen bij de betere speelgoed- en zwembadwinkels. Of kijk eens op onze website.

©2020 Intex Marketing Ltd. - Intex Development Co. Ltd.
- Intex Recreation Corp.

All rights reserved/Tous droits réservés/Todos los derechos reservados/Alle Rechte vorbehalten.

Printed in China/Imprimé en Chine/Impreso en China/
Gedruckt in China.

®™ Trademarks used in some countries of the world under license from/®™ Marques utilisées dans certains pays sous licence de/Marcas registradas utilizadas en algunos países del mundo bajo licencia de/Warenzeichen verwendet in einigen Ländern der Welt in Lizenz von/Intex Marketing Ltd. to/à/a/an Intex Development Co. Ltd., G.P.O Box 28829, Hong Kong & Intex Recreation Corp., P.O. Box 1440, Long Beach, CA 90801 • Distributed in the European Union by/Distribué dans l'Union Européenne par/Distribuido en la unión Europea por/Vertrieb in der Europäischen Union durch/Intex Trading B.V., Venneveld 9, 4705 RR Roosendaal – The Netherlands
www.intexcorp.com

INTEX®